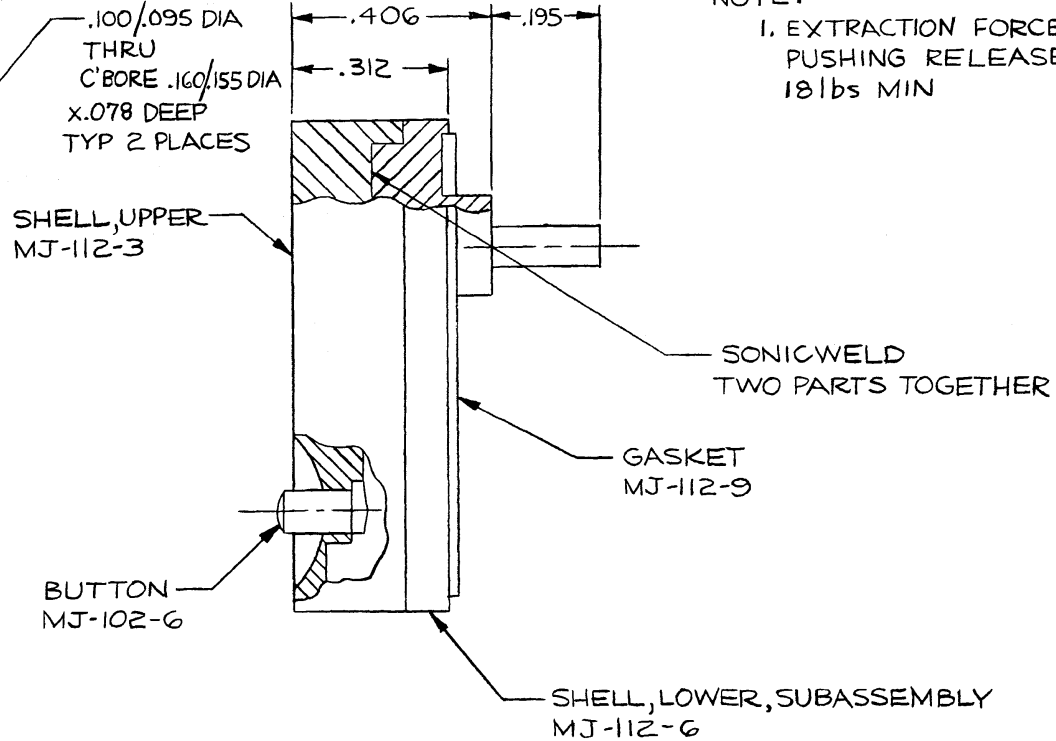


**B** MJ-112



NOTE:  
1. EXTRACTION FORCE WITHOUT  
PUSHING RELEASE BUTTON:  
18lbs MIN

DWN. BY		DATE		MATERIAL	
IDH		4-2-86			
CHECKED BY		DATE		FINISH	
RW7		4-15-86			
APPR. BY				WEIGHT	
				SCALE 4:1	
				TITLE	
				MICROPHONE	
				JACK ASSEMBLY	
				DO NOT SCALE DWG.	
				SHEET OF	
				NEXUS	
				STAMFORD, CONN.	
				SIZE	
				DWG. NO.	
				B MJ-112	

LET.	REVISION	DATE	CHK.
C	1) ADDED SONICWELD NOTE		
B	ADDED NOTE 1	10/11/90	
A	1) REVISED LETTERING	6-3-86	RW7

UNLESS OTHERWISE SPECIFIED  
DIMENSIONS ARE IN INCHES  
TOLERANCES ON  
FRACTIONS DECIMALS ANGLES