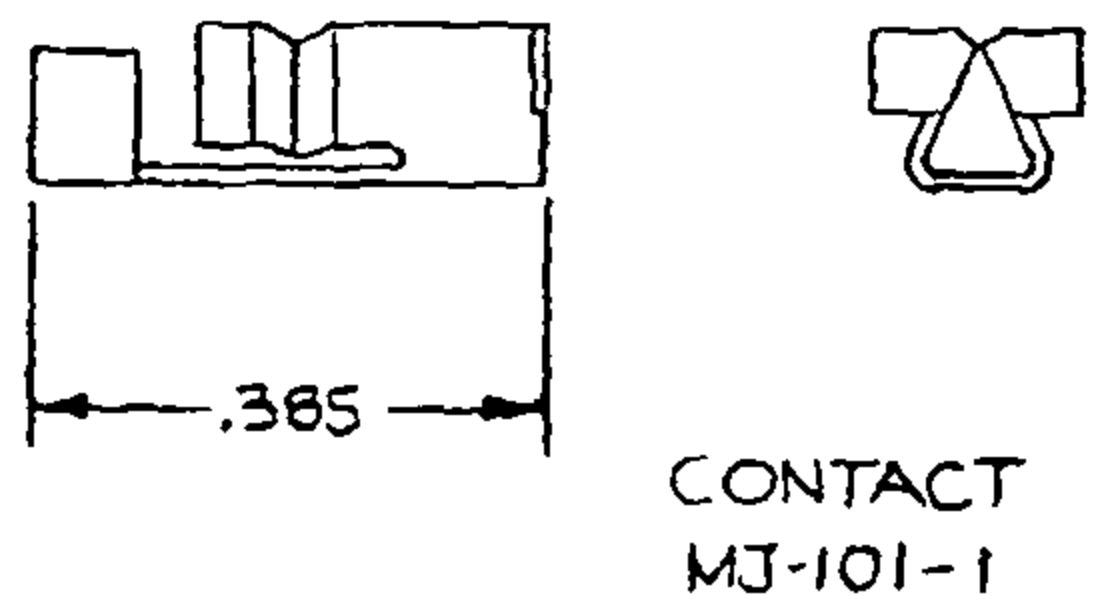
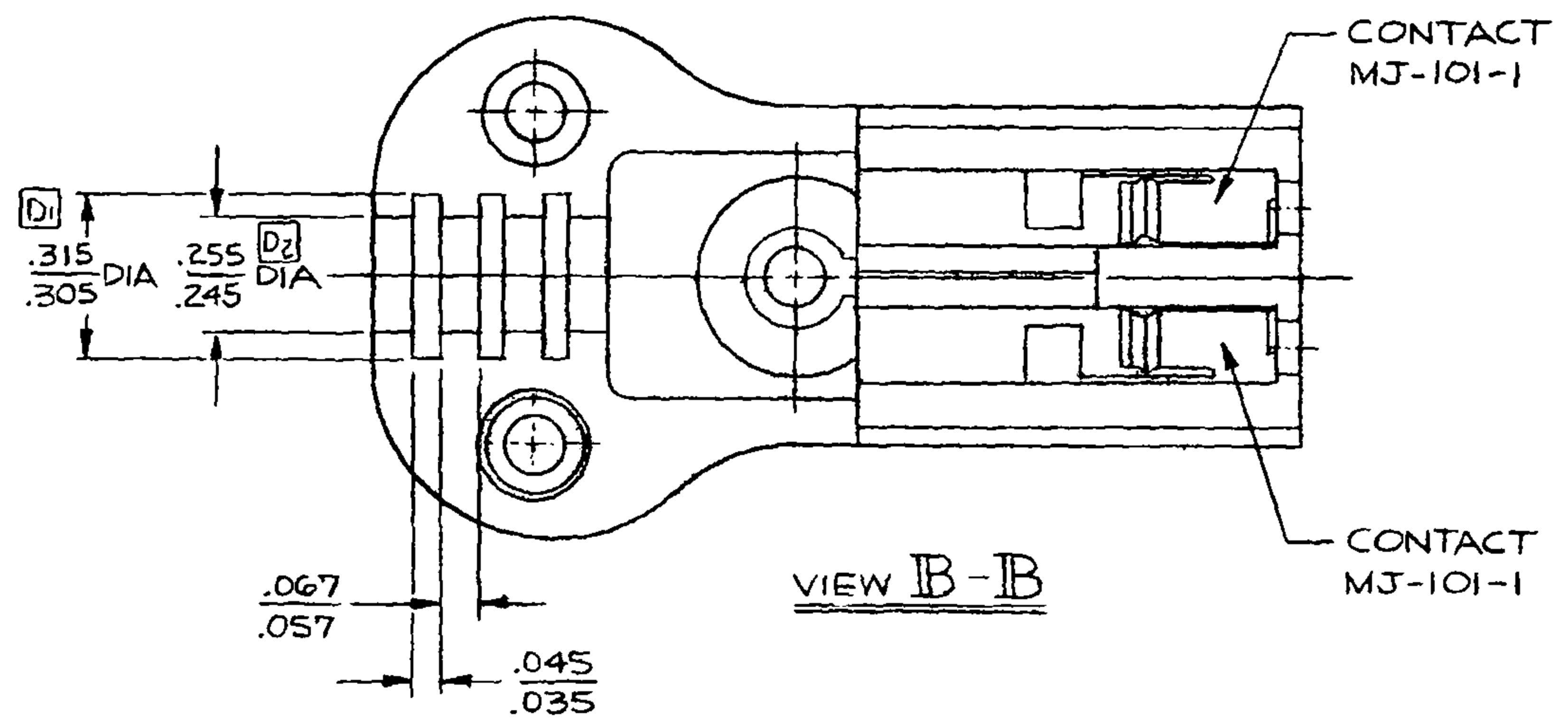
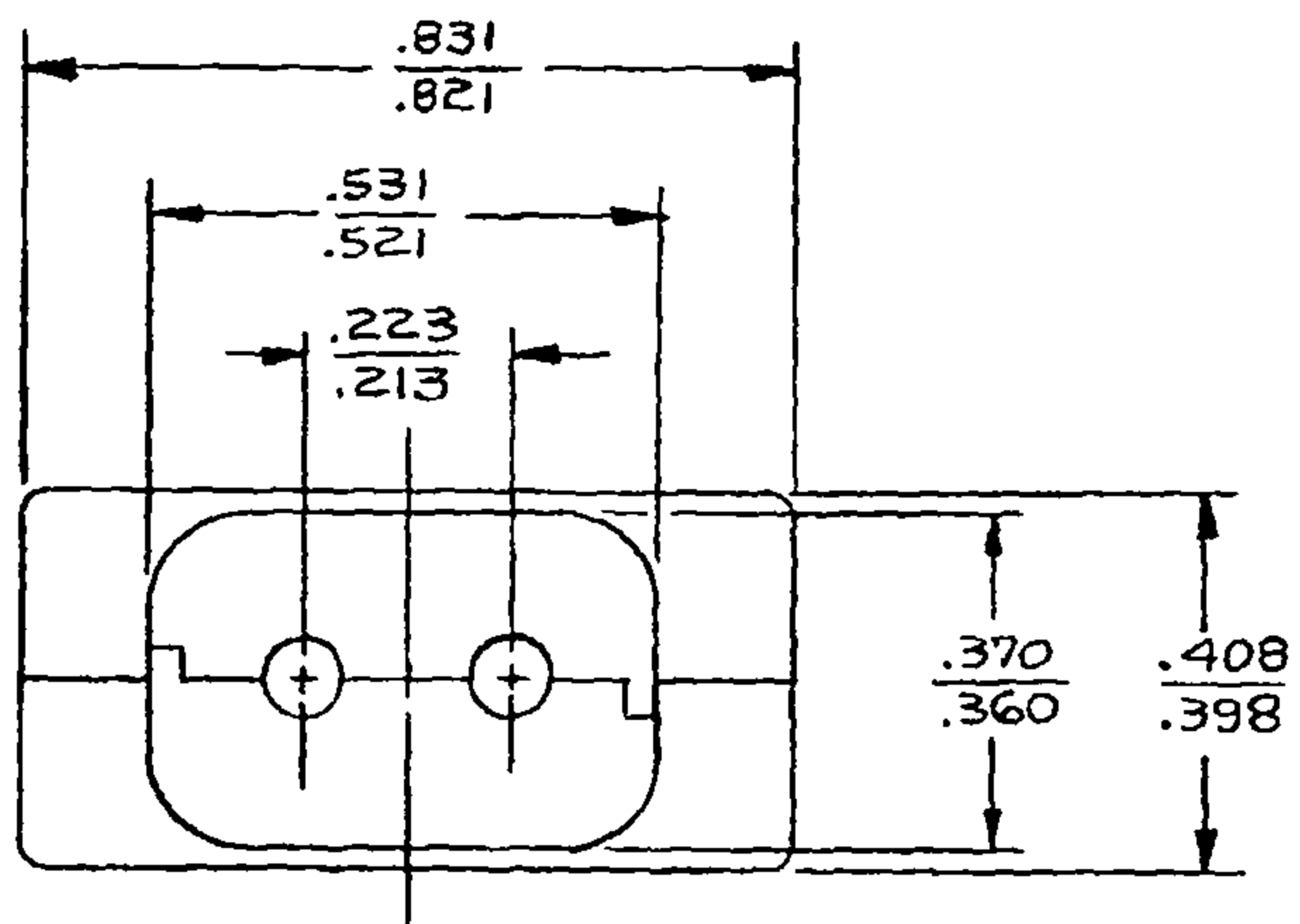
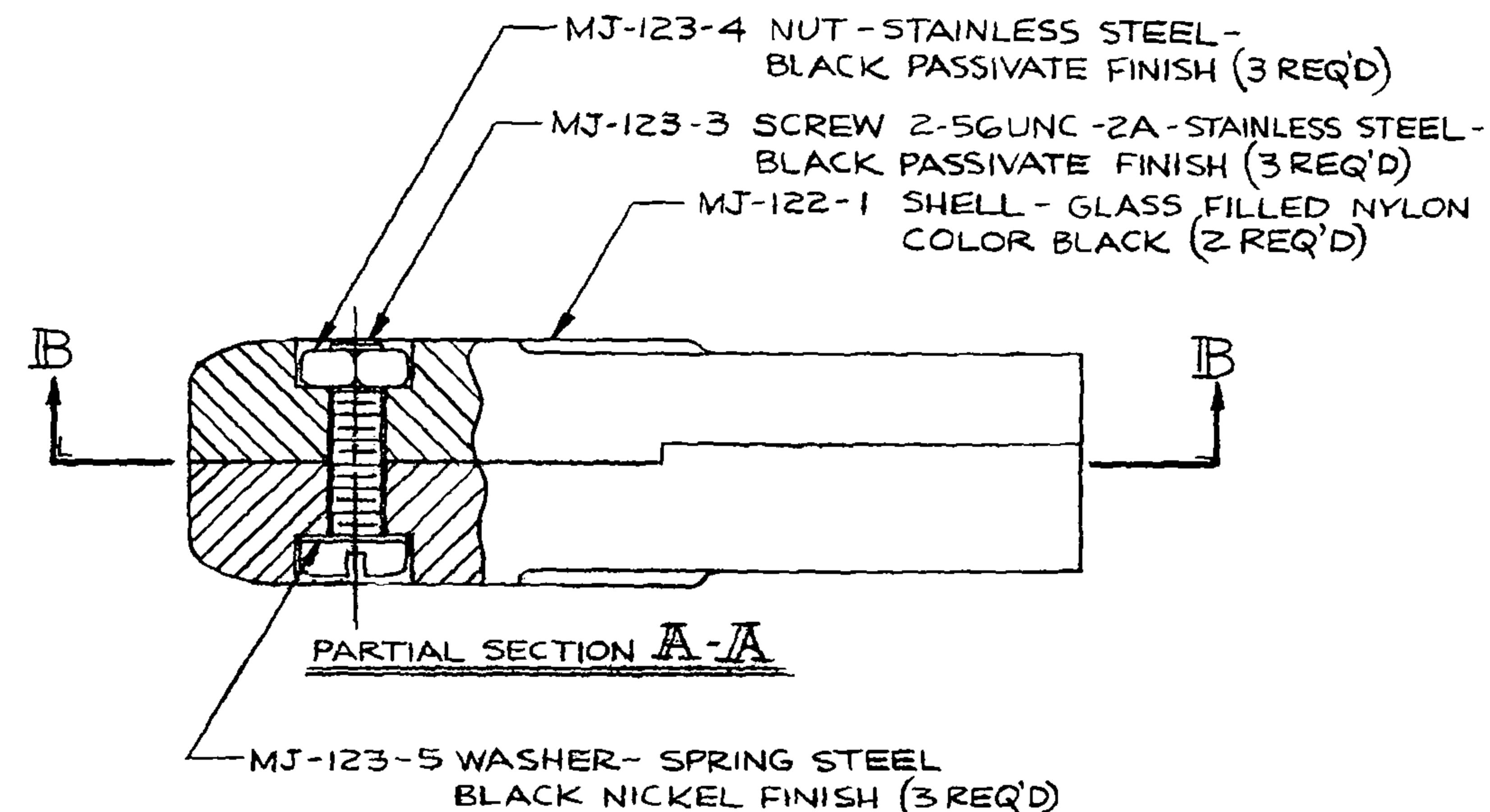


LETTERING RAISED .006



LET.	REVISION	DATE	CHK.
D	2) .255/.245 WAS .189/.179 1) .315/.305 WAS .265/.255	12/6/83	
C	REDRAWN - CONTACT CHANGED	10-2-85	

DRW. BY 1DH	DATE 10-2-85	MATERIAL
CHECKED BY		FINISH
APP. BY		WEIGHT
		SCALE 4:1
UNLESS OTHERWISE SPECIFIED DIMENSIONS ARE IN INCHES TOLERANCES ON FRACTIONS DECIMALS ANGLES		TITLE MICROPHONE JACK 2 CONDUCTOR
DO NOT SCALE DWG.	SHEET	OF
NEXUS STAMFORD, CONN.		DWG. NO. C MJ-122

C MJ-122