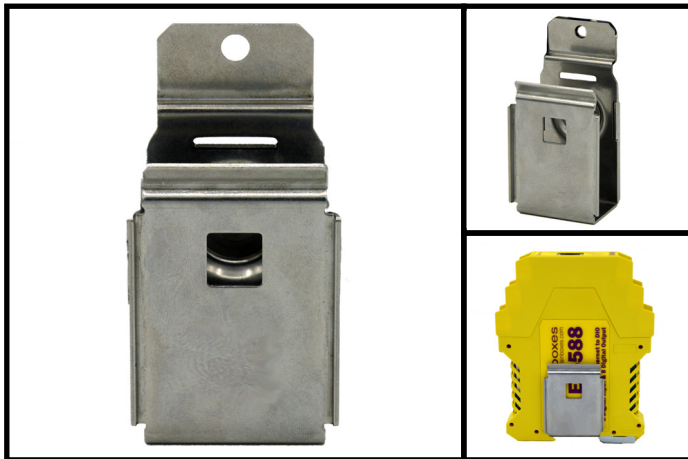


Accessories



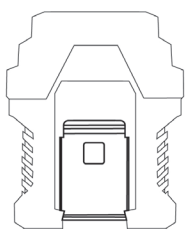
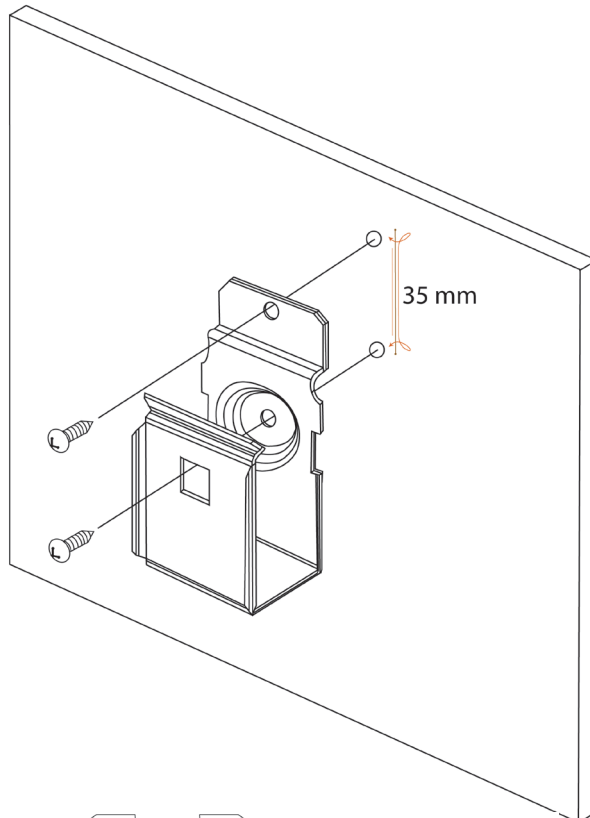
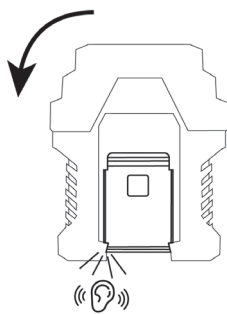
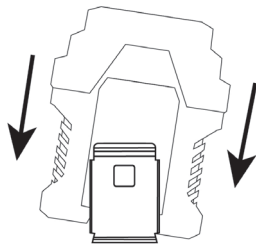
MK- 081

22.5MM MODULAR DEVICE WALL/
SURFACE MOUNTING CLIP - CABINET SPACE
SAVER

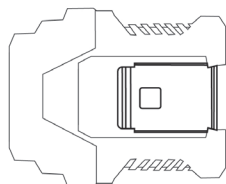
Product Dimensions = 30(l) x 10(w) x 10(h)
mm/ 1.18(l) x 0.39(w) x 0.39(h) inches

Packaged Weight = 0.144kg, 0.317 pounds

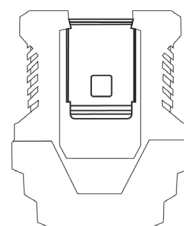
This metal mounting clip clicks securely onto 22.5mm deep modular devices. It is useful for mounting Brainboxes ED/SW/ES industrial range products at any orientation to any surface/wall to best utilise



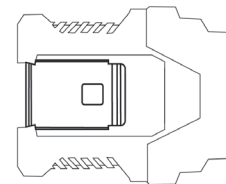
0°



90°



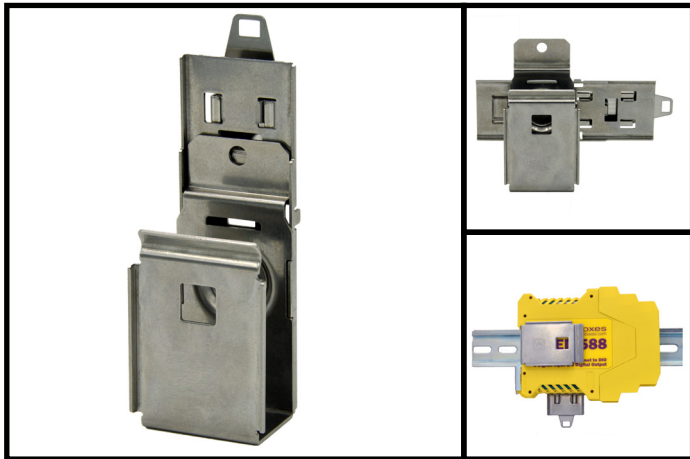
180°



270°

Compatible with Brainboxes product codes:
ED-5XX, ES-5XX, SW-5XX (excl. SW-508)

Accessories



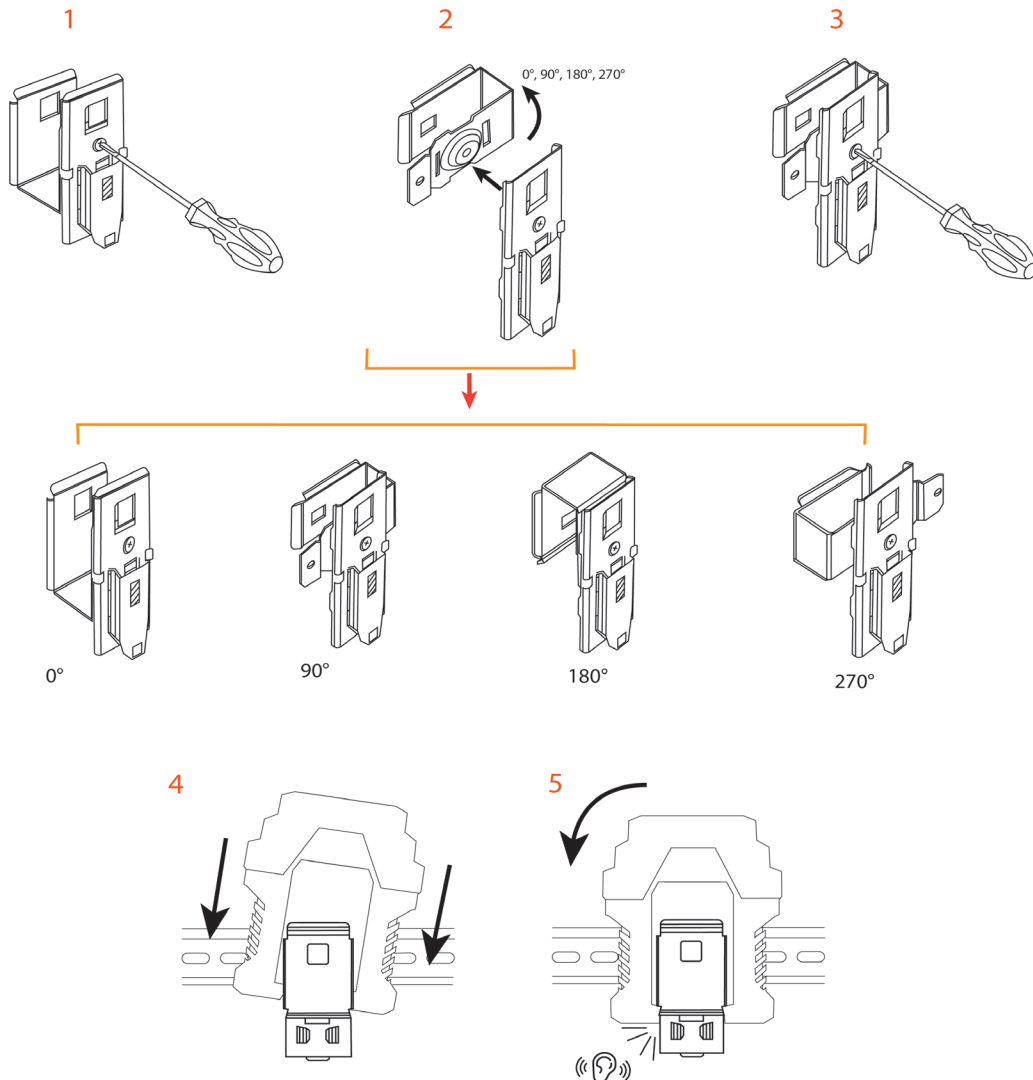
MK-092

22.5 MM MODULAR DEVICE RIGHT ANGLE
DIN RAIL MOUNTING CLIP - CABINET SPACE
SAVER

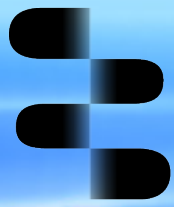
Product Dimensions = 45(l) x 15(w) x 15(h)
mm/ 1.77(l) x 0.59(w) x 0.59(h) inches

Packaged Weight = 0.183kg, 0.403 pounds

This metal mounting clip clicks securely onto 22.5mm deep modular devices. It is useful for mounting Brainboxes ED/SW/ES industrial range products at any orientation flush to a standard 35mm DIN-rail to



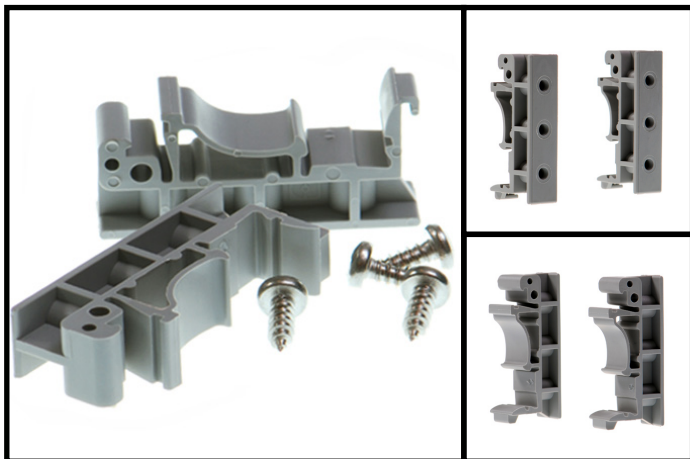
Compatible with Brainboxes product codes:
ED-5XX, ES-5XX, SW-5XX (excl. SW-508)



brainboxes

www.brainboxes.com

Accessories



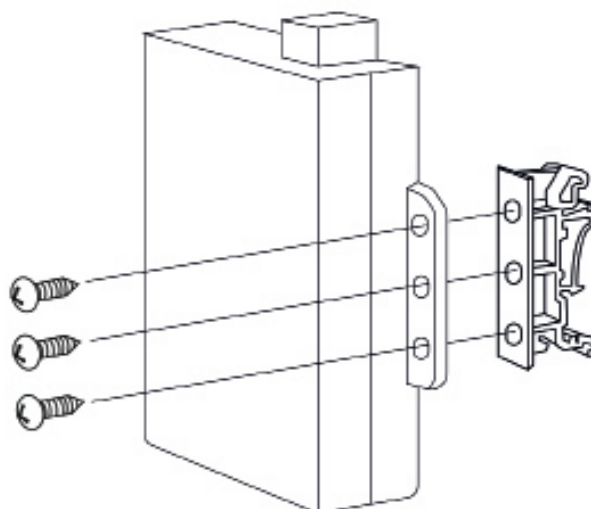
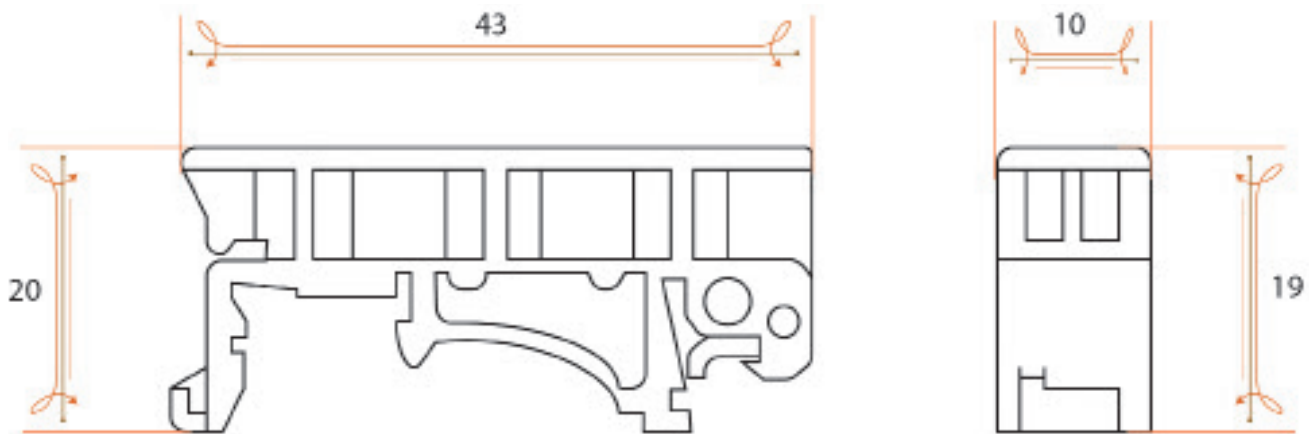
MK-048

DIN-RAIL MOUNTING KIT FOR 2 PORT ES/
US/ED - RETAIL PACK

Product Dimensions = 10(l) x 43(w) x 19(h)
mm/ 0.39(l) x 1.69(w) x 0.75(h) inches

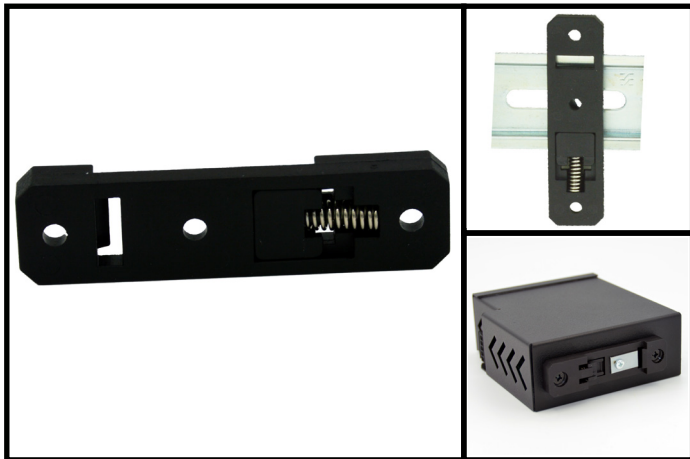
Packaged Weight = 0.022 kg, 0.05 pounds

This light weight snap on DIN rail kit is compatible with Brainboxes 2 port Ethernet to Serial and USB to Serial Devices. Contains: 2 snap on clips (plastic), 2 screws (to attach to device lugs).



Compatible with Brainboxes product codes
SW-0XX, ES-2XX, ES-3XX, ES-4XX, ED-0XX ED-2XX

Accessories



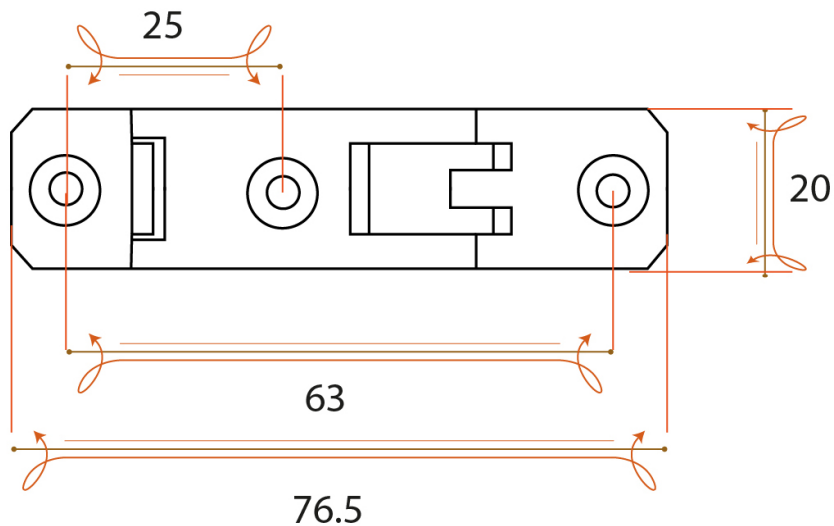
MK-103

SPRING LOADED DIN RAIL MOUNT 20MM WIDTH

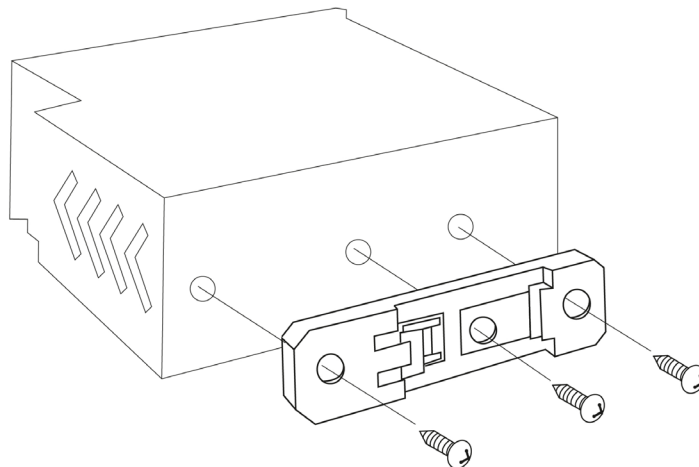
Product Dimensions = 76.5(l) x 8(w) x 20(h) mm/ 3.01(l) x 0.31 x 0.79(h) inches

Packaged Weight = 0.043kg, 0.094 pounds

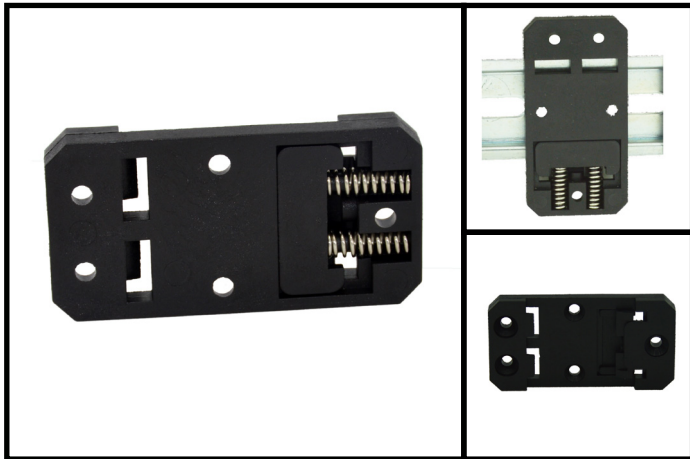
This light weight spring loaded mount can be attached to any modular device for easy DIN rail mounting. Contains: 1 screw on mount (plastic)



76.5mm x 20mm x 8mm



Accessories



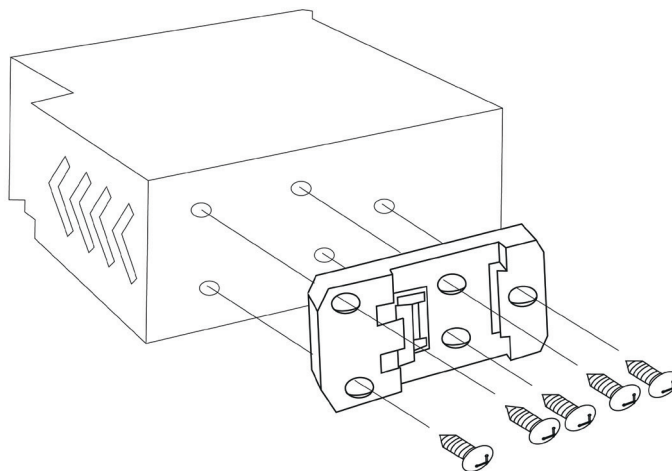
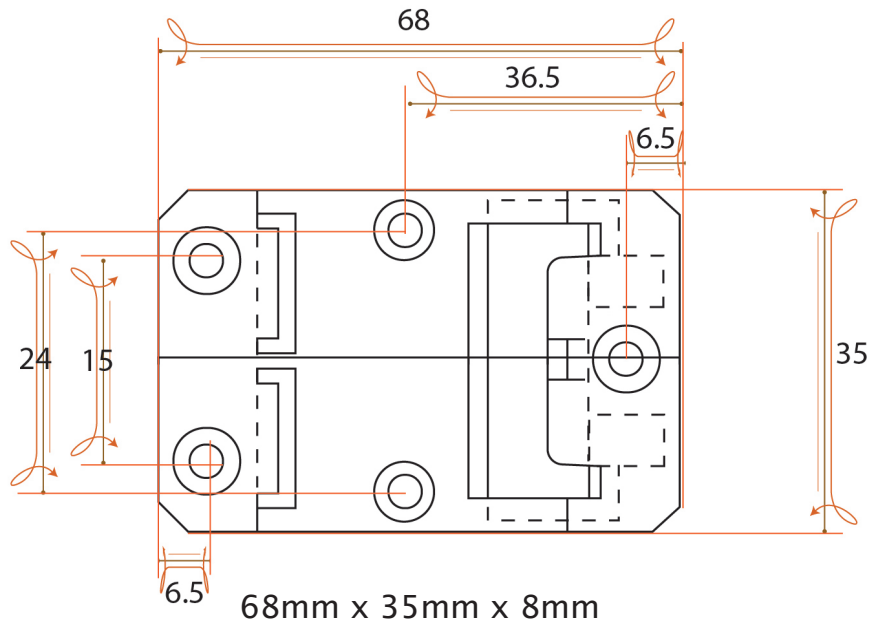
MK-114

SPRING LOADED DIN RAIL MOUNT 35MM WIDTH

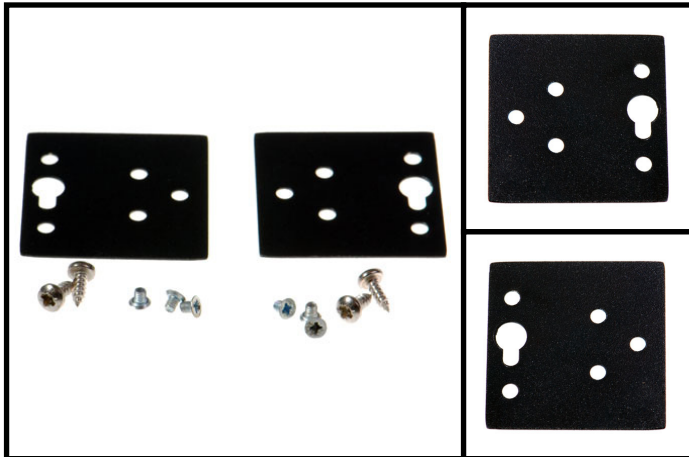
Product Dimensions = 68(l) x 8(w) x 35(h) mm / 2.68(l) x 0.31(w) x 1.38(h) inches

Packaged Weight = 0.048kg, 0.105 pounds

This light weight spring loaded mount can be attached to any modular device for easy DIN rail mounting. Contains: 1 screw on mount (plastic)



Accessories



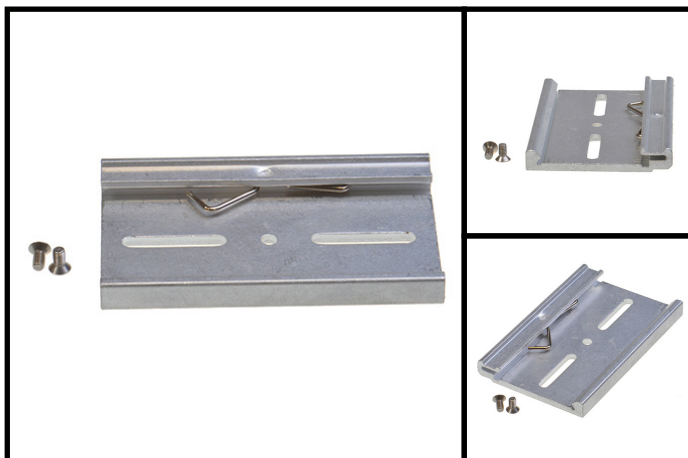
MK-059

WALL MOUNTING KIT FOR ES/US 4&8 PORT
- RETAIL PACK

Product Dimensions = 100(l) x 0.7(w) x 52(h) mm /
3.93(l) x 0.03(w) x 2.05(h) inches

Packaged Weight = 0.33 kg, 0.73 pounds

Wall mounting kit compatible with Brainboxes 4 & 8 port Ethernet to Serial and 4 & 8 port USB to Serial. Comes with suitable screws.



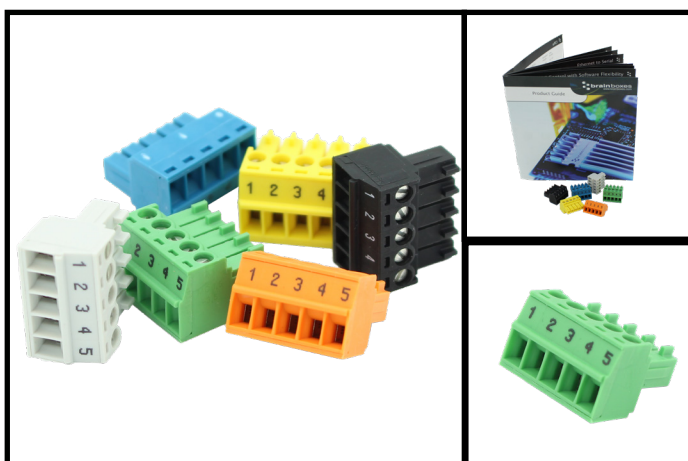
MK-070

SNAP IN DIN-RAIL CLIP KIT FOR ES/US 4&8
PORT - RETAIL PACK

Product Dimensions = 65(l) x 0(w) x 52(h) mm /
2.56(l) x 0(w) x 2.05(h) inches

Packaged Weight = 0.022 kg, 0.05 pounds

Light weight 'Snap-in' Din-Rail clip suitable for mounting Brainboxes 4 & 8 port Ethernet to Serial and 4 & 8 port USB to Serial.



MK-588

6 PACK ED-5XX/ ES-5XX 5-WAY 3.5MM PITCH
PLUGGABLE BLOCKS - RETAIL PACK

Product Dimensions = 125(l) x 120(w) x 20(h) mm /
4.92(l) x 4.72(w) x 0.79(h) inches

Packaged Weight = 0.038 kg, 0.08 pounds

6 coloured PCB connectors suitable for Brainboxes Industrial Ethernet to Serial (ES-5XX), Industrial Ethernet I/O modules (ED-5XX) and BB-400. Individually numbered pins simplify wiring and remove confusion. 5 x 3.5mm pitch screw connections with tension sleeve.