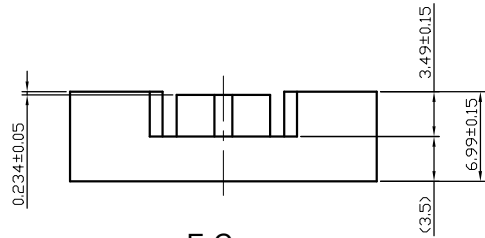
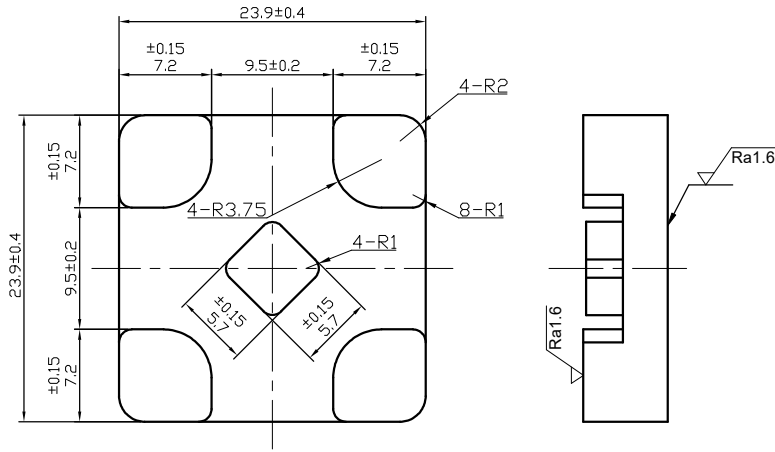
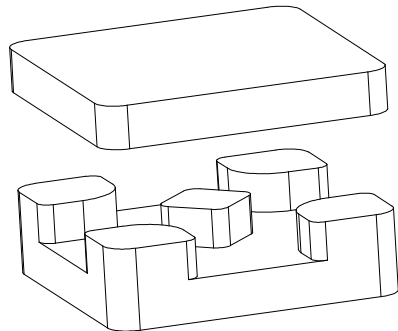


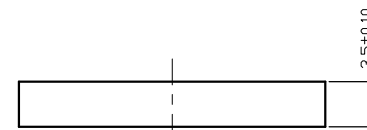
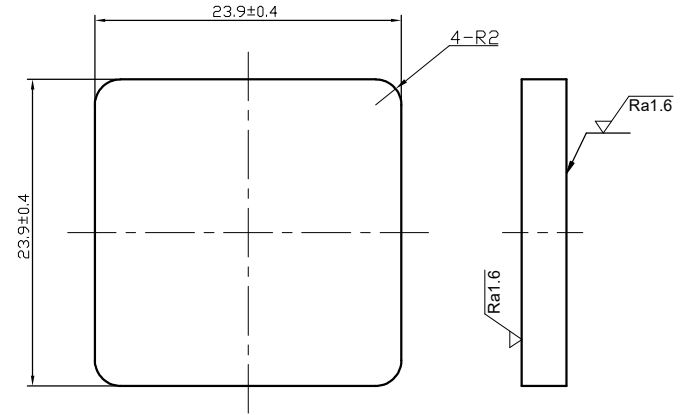
●Nc sample



E-Core



REVISION HISTORY			
Rev	DESCRIPTION	DATE	APPROVED



I-Core

	Scale	Material	Customer Part number			
	2 : 1		ML95S	Product Name		
Unit:	Standard tolerances	EI-23.9-10.49-23.9-G0.234				
mm	$\pm 0.3$	Approved by	Created by	Document type	Rev	Drawing No.
T.Tachibana	P.Xu	Prototype drawing		00	PY220601M01	
Hitachi Metals (Hong Kong) Ltd. Panyu Factory				Date of issue	Sheet	
				Jun 01 2022	1/1	