

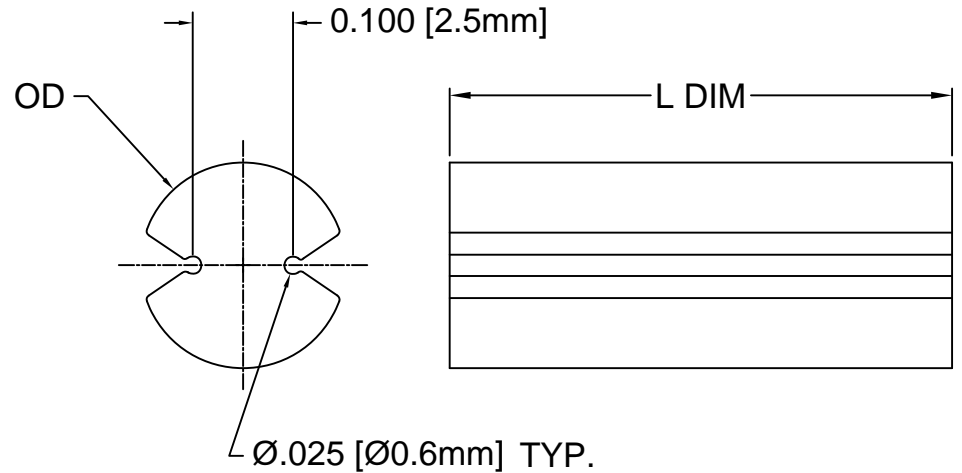
| REV. | DESCRIPTION                                | DATE     | APPROVED |
|------|--|----------|----------|
| A    | Engineering Release                        | 07/11/06 | M. C.    |
| B    | Removed T Dimension, Updated Hole Diameter | 09/07/06 | M. C.    |
| C    | L DIM Tolerance Update                     | 10/31/06 | M. C.    |
| D    | Removed Material Code                      | 05/21/16 | J. C.    |

**MLM1-XXX SERIES**

| PART NO. | L DIM ± 0.008  | OD            |
|----------|----------------|---------------|
| MLM1-118 | 0.118 [3.0mm]  | 0.157 [4.0mm] |
| MLM1-138 | 0.138 [3.5mm]  |               |
| MLM1-157 | 0.157 [4.0mm]  |               |
| MLM1-177 | 0.177 [4.5mm]  |               |
| MLM1-197 | 0.197 [5.0mm]  |               |
| MLM1-217 | 0.217 [5.5mm]  |               |
| MLM1-236 | 0.236 [6.0mm]  |               |
| MLM1-256 | 0.256 [6.5mm]  |               |
| MLM1-276 | 0.276 [7.0mm]  |               |
| MLM1-295 | 0.295 [7.5mm]  |               |
| MLM1-315 | 0.315 [8.0mm]  |               |
| MLM1-335 | 0.335 [8.5mm]  |               |
| MLM1-354 | 0.354 [9.0mm]  |               |
| MLM1-374 | 0.374 [9.5mm]  |               |
| MLM1-394 | 0.394 [10.0mm] |               |
| MLM1-413 | 0.413 [10.5mm] |               |
| MLM1-433 | 0.433 [11.0mm] |               |
| MLM1-453 | 0.453 [11.5mm] |               |
| MLM1-472 | 0.472 [12.0mm] |               |
| MLM1-492 | 0.492 [12.5mm] |               |
| MLM1-512 | 0.512 [13.0mm] |               |
| MLM1-531 | 0.531 [13.5mm] |               |
| MLM1-551 | 0.551 [14.0mm] |               |
| MLM1-571 | 0.571 [14.5mm] |               |
| MLM1-591 | 0.591 [15.0mm] |               |
| MLM1-610 | 0.610 [15.5mm] |               |
| MLM1-630 | 0.630 [16.0mm] |               |
| MLM1-650 | 0.650 [16.5mm] |               |
| MLM1-669 | 0.669 [17.0mm] |               |
| MLM1-689 | 0.689 [17.5mm] |               |
| MLM1-709 | 0.709 [18.0mm] |               |
| MLM1-728 | 0.728 [18.5mm] |               |
| MLM1-748 | 0.748 [19.0mm] |               |
| MLM1-768 | 0.768 [19.5mm] |               |
| MLM1-787 | 0.787 [20.0mm] |               |
| MLM1-807 | 0.807 [20.5mm] |               |
| MLM1-827 | 0.827 [21.0mm] |               |
| MLM1-846 | 0.846 [21.5mm] |               |

**MLM2-XXX SERIES**

| PART NO. | L DIM ± 0.008  | OD            |
|----------|----------------|---------------|
| MLM2-118 | 0.118 [3.0mm]  | 0.205 [5.2mm] |
| MLM2-138 | 0.138 [3.5mm]  |               |
| MLM2-157 | 0.157 [4.0mm]  |               |
| MLM2-177 | 0.177 [4.5mm]  |               |
| MLM2-197 | 0.197 [5.0mm]  |               |
| MLM2-217 | 0.217 [5.5mm]  |               |
| MLM2-236 | 0.236 [6.0mm]  |               |
| MLM2-256 | 0.256 [6.5mm]  |               |
| MLM2-276 | 0.276 [7.0mm]  |               |
| MLM2-295 | 0.295 [7.5mm]  |               |
| MLM2-315 | 0.315 [8.0mm]  |               |
| MLM2-335 | 0.335 [8.5mm]  |               |
| MLM2-354 | 0.354 [9.0mm]  |               |
| MLM2-374 | 0.374 [9.5mm]  |               |
| MLM2-394 | 0.394 [10.0mm] |               |
| MLM2-413 | 0.413 [10.5mm] |               |
| MLM2-433 | 0.433 [11.0mm] |               |
| MLM2-453 | 0.453 [11.5mm] |               |
| MLM2-472 | 0.472 [12.0mm] |               |
| MLM2-492 | 0.492 [12.5mm] |               |
| MLM2-512 | 0.512 [13.0mm] |               |
| MLM2-531 | 0.531 [13.5mm] |               |
| MLM2-551 | 0.551 [14.0mm] |               |
| MLM2-571 | 0.571 [14.5mm] |               |
| MLM2-591 | 0.591 [15.0mm] |               |
| MLM2-610 | 0.610 [15.5mm] |               |
| MLM2-630 | 0.630 [16.0mm] |               |
| MLM2-650 | 0.650 [16.5mm] |               |
| MLM2-669 | 0.669 [17.0mm] |               |
| MLM2-689 | 0.689 [17.5mm] |               |
| MLM2-709 | 0.709 [18.0mm] |               |
| MLM2-728 | 0.728 [18.5mm] |               |
| MLM2-748 | 0.748 [19.0mm] |               |
| MLM2-768 | 0.768 [19.5mm] |               |
| MLM2-787 | 0.787 [20.0mm] |               |
| MLM2-807 | 0.807 [20.5mm] |               |
| MLM2-827 | 0.827 [21.0mm] |               |



2. MATERIAL: NYLON 6/6, 94V-0, BLACK.

1. GENERAL SPECIFICATIONS: BIVAR MOLDED COMPONENT SPECIFICATION BV00-E101.

|  |         |  |                             |   |                              |
|--|---------|--|-----------------------------|---|------------------------------|
| STANDARD TOLERANCE<br>(UNLESS OTHERWISE SPECIFIED) |         | <br>4 THOMAS, IRVINE, CA. 92618<br>TEL: (949) 951-8808 FAX: (949) 951-3974 |                             |   |                              |
| DECIMALS   | ANGULAR |  |                             |   |                              |
| .X ± .1  | X° ± 1° | <br><b>TITLE:</b><br>MOLDED, SELF-RETAINING LED MOUNT                      | <b>PART NO:</b><br>MLMX-XXX | <b>REVISION:</b><br>D                           |                              |
| .XX ± .01  |         |  |                             |   |                              |
| .XXX ± .005  |         | <b>DESIGNED:</b><br>T. Yin   | <b>DATE:</b><br>07/11/06    | <b>CAGE CODE :</b> 32559                        | <b>SHEET #</b> 1 <b>OF</b> 1 |
| <b>CHECKED:</b><br>M. Chen                         |         | <b>DATE:</b><br>07/11/06   |                             | CAD GENERATED DOCUMENT. DO NOT MEASURE DRAWING. |                              |