

## Connector Saver

**.050"**

**9 thru 100 Contacts**

**Rugged Metal**

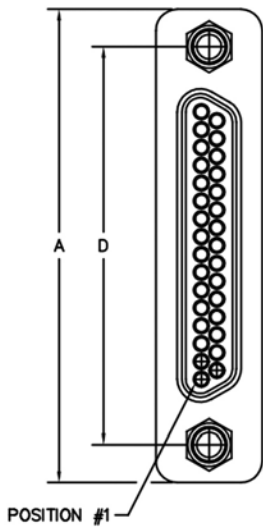
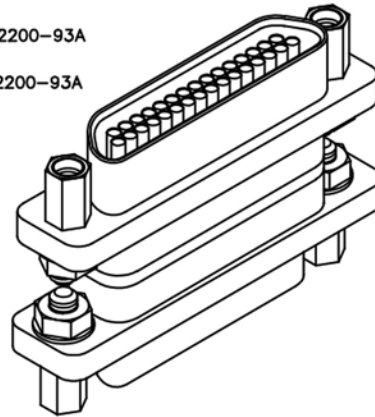
**MM**

**Rugged Plastic**

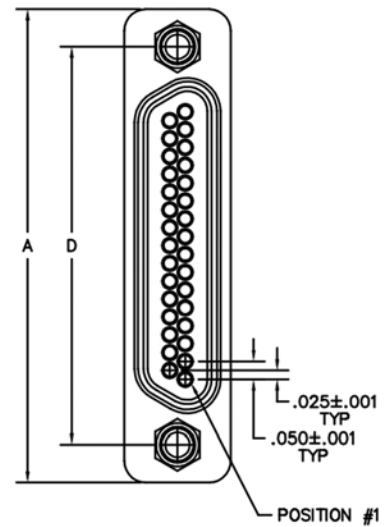
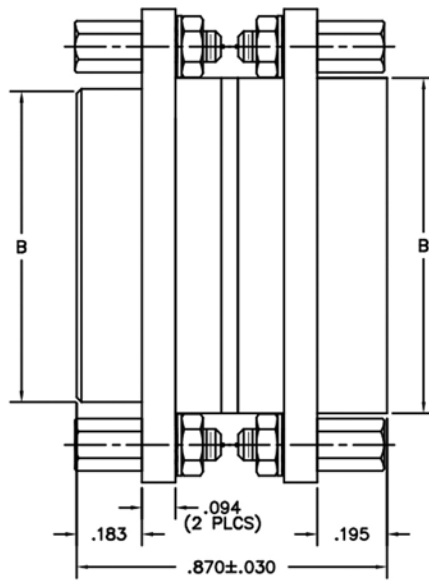
**MN**

MM-212-031-143-2200-93A  
(METAL)

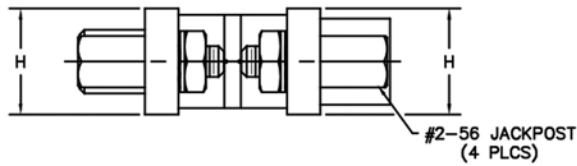
MN-211-031-143-2200-93A  
(PLASTIC)



PLUG



RECEPTACLE



SIZE	CONTACT ROWS	DIMENSIONS				H	HARDWARE
		A	B		D		
			PLUG MAX	RCPT MAX			
9	2	.775	.334	.400	.565	.298	#2-56 UNC THD (.092 DIA THRU)
15		.925	.484	.550	.715		
21		1.075	.634	.700	.865		
25		1.175	.734	.800	.965		
31		1.325	.884	.950	1.115		
37		1.475	1.034	1.100	1.265		
51**	3	1.825	1.384	1.450	1.615	.341	#4-40 UNC THD (.147 DIA THRU)
51		1.425	.984	1.050	1.215		
69***		1.725	1.284	1.350	1.515		
100	4	2.160	1.384	1.508	1.800	.384	

\*\* = 2 ROW, 51 POSITION CONNECTORS ARE AVAILABLE IN METAL ONLY (NON MIL-SPEC INTERFACE)

\*\*\* = 69 POSITION CONNECTORS ARE AVAILABLE IN METAL ONLY.