

Connector Saver

.050"

9 thru 100 Contacts

Rugged Metal

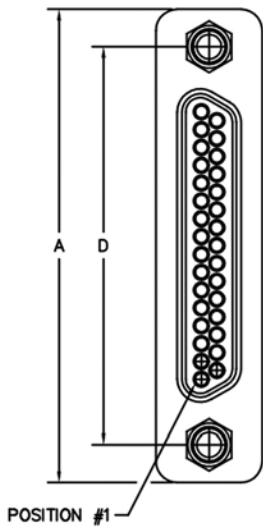
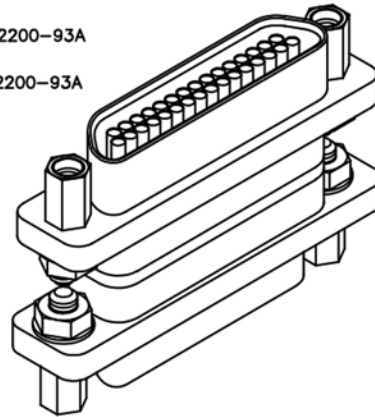
MM

Rugged Plastic

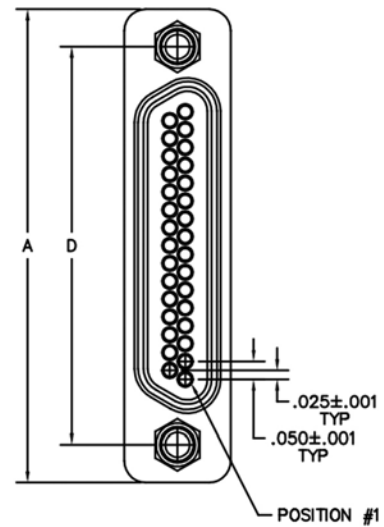
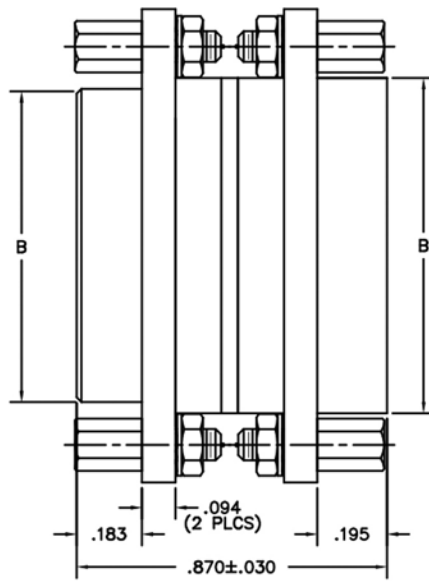
MN

MM-212-031-143-2200-93A
(METAL)

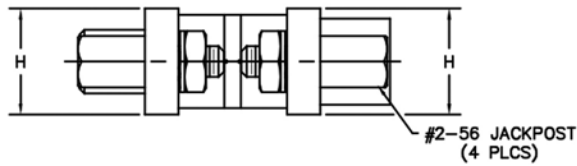
MN-211-031-143-2200-93A
(PLASTIC)



PLUG



RECEPTACLE



| SIZE | CONTACT ROWS | A | B | | D | H | HARDWARE |
|-------|--------------|-------|----------|----------|-------|------|----------------------------------|
| | | | PLUG MAX | RCPT MAX | | | |
| 9 | 2 | .775 | .334 | .400 | .565 | .298 | #2-56 UNC THD (.092 DIA THRU) |
| 15 | | .925 | .484 | .550 | .715 | | |
| 21 | | 1.075 | .634 | .700 | .865 | | |
| 25 | | 1.175 | .734 | .800 | .965 | | |
| 31 | | 1.325 | .884 | .950 | 1.115 | | |
| 37 | | 1.475 | 1.034 | 1.100 | 1.265 | | |
| 51** | 3 | 1.825 | 1.384 | 1.450 | 1.615 | .341 | #4-40 UNC THD (.147 DIA THRU) |
| 51 | | 1.425 | .984 | 1.050 | 1.215 | | |
| 69*** | | 1.725 | 1.284 | 1.350 | 1.515 | | |
| 100 | 4 | 2.160 | 1.384 | 1.508 | 1.800 | .384 | #4-40 UNC THD (.147 DIA THRU) |

** = 2 ROW, 51 POSITION CONNECTORS ARE AVAILABLE IN METAL ONLY (NON MIL-SPEC INTERFACE)

*** = 69 POSITION CONNECTORS ARE AVAILABLE IN METAL ONLY.