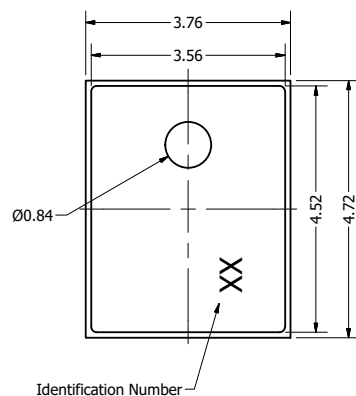


| | | |
|--|-------------------------|-----------|
| Part Number: | MM042602-4 | |
| | DRAWN CJ | 9/23/2016 |
| Description: | Digital MEMS Microphone | |
| | CHECKED P.D | 9/23/2016 |
| | APPROVED J.S | 9/23/2016 |
| This document contains data proprietary to DB Unlimited. Any use or reproduction, in any form, without prior written permission of DB Unlimited is prohibited. All terms and conditions can be found at www.dbunlimitedco.com | | |

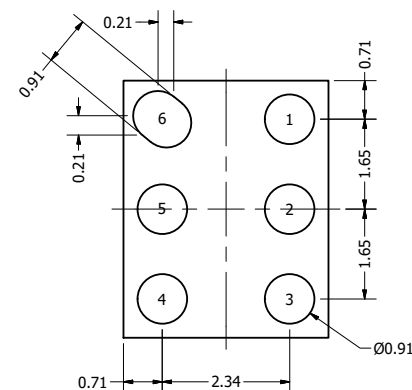
Top View



Side View



Bottom View



| | | | | | |
|-------|--------|-------|-------|--------|-------|
| PIN 1 | PIN 2 | PIN 3 | PIN 4 | PIN 5 | PIN 6 |
| GND | LR SEL | GND | CLOCK | OUTPUT | VDD |

| Items | Specifications | Conditions |
|---------------------------------|--------------------|------------|
| Directivity | Omnidirectional | |
| Sensitivity | -26 | dB |
| Frequency Range | 100 ~ 7,000 | Hz |
| Rated Voltage | 2.1 | V |
| Voltage Range | 1.64 ~ 3.6 | V |
| Max. Rated Current | 800 | µA |
| Storage Temperature | -40 ~ +125 | °C |
| Operating Temperature | -40 ~ +100 | °C |
| Signal to Noise Ratio | 58 | dB |
| Max. Rated Current (SLEEP mode) | 50 | µA |
| Mount Type | Surface Mount | |
| Connection Method | Surface Mount Pads | |

REVISION HISTORY

| REV | DESCRIPTION | DATE | APPROVED |
|-----|--|------------|----------|
| | Released from Engineering | 9/23/2016 | J.S. |
| 1 | Added pin out | 7/7/2017 | C.E. |
| 2 | Updated current, pin labels, voltage range, height | 12/21/2017 | C.E. |

NOTES

- 1) All dimensions are in mm unless otherwise noted
- 2) All tolerances are ± 0.15 mm unless otherwise noted
- 3) All parts meet RoHS
- 4) Subject to change or redrawn without notice