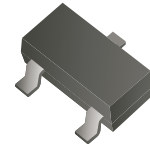


MMBZ5229A-HF Thru. MMBZ5262A-HF

RoHS Device
Halogen Free



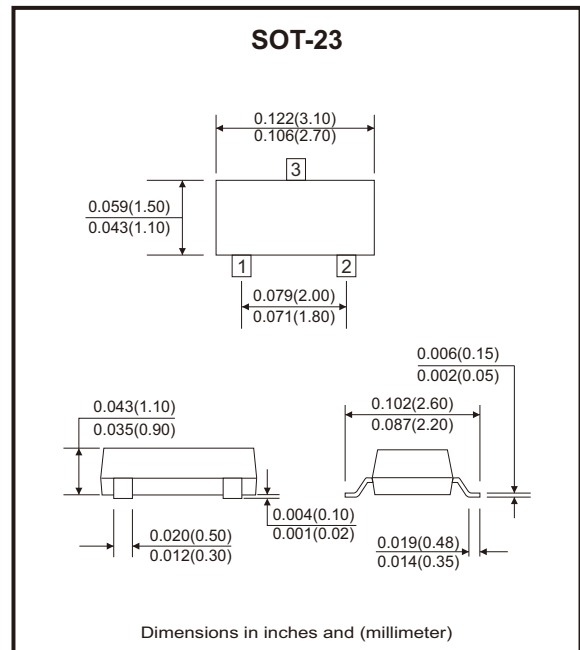
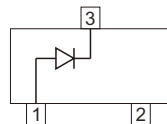
Features

- Planar die construction.
- 350mW power dissipation.
- Ideally suited for automated assembly processes.

Mechanical data

- Case: SOT-23, Molded plastic.

Circuit Diagram



Maximum Rating (at Ta=25°C unless otherwise noted)

Parameter	Symbol	Value	Unit
Power dissipation	P _D	350	mW
Zener current	I _F	100	mA
Maximum forward voltage	V _F	1.2	V
Maximum thermal resistance	R _{θJA}	357	°C/W
Operating junction and storage temperature range	T _J , T _{STG}	-50 to +150	°C

Electrical Characteristics (TA=25°C unless otherwise noted)

Part Number	Zener Voltage Range			Test Current	Maximum Zener Impedance		Maximum Reverse Leakage Current		Marking Code
	Vz @ IzT				IzT	ZzT @ IzT	Zzk @ Izk=0.25mA	IR @ VR	
	Min(V)	Nom(V)	Max(V)	(mA)	(Ω)	(Ω)	(μA)	(V)	
MMBZ5229A-HF	4.21	4.3	4.39	20	22	2000	5.0	1.0	D4.
MMBZ5230A-HF	4.61	4.7	4.79	20	19	1900	5.0	2.0	D5.
MMBZ5231A-HF	5.00	5.1	5.20	20	17	1600	5.0	2.0	E1.
MMBZ5232A-HF	5.49	5.6	5.71	20	11	1600	5.0	3.0	E2.
MMBZ5234A-HF	6.08	6.2	6.32	20	7	1000	5.0	4.0	E4.
MMBZ5235A-HF	6.66	6.8	6.94	20	5	750	3.0	5.0	E5.
MMBZ5236A-HF	7.35	7.5	7.65	20	6	500	3.0	6.0	F1.
MMBZ5237A-HF	8.04	8.2	8.36	20	8	500	3.0	6.0	F2.
MMBZ5239A-HF	8.92	9.1	9.28	20	10	600	3.0	6.5	F4.
MMBZ5240A-HF	9.80	10	10.20	20	17	600	3.0	8.0	F5.
MMBZ5241A-HF	10.78	11	11.22	20	22	600	2.0	8.4	H1.
MMBZ5242A-HF	11.76	12	12.24	20	30	600	1.0	9.1	H2.
MMBZ5243A-HF	12.74	13	13.26	9.5	13	600	0.5	9.9	H3.
MMBZ5245A-HF	14.70	15	15.30	8.5	16	600	0.1	11	H5.
MMBZ5246A-HF	15.68	16	16.32	7.8	17	600	0.1	12	J1.
MMBZ5247A-HF	16.66	17	17.34	7.5	19	600	0.1	13	J2.
MMBZ5248A-HF	17.64	18	18.36	7.0	21	600	0.1	14	J3.
MMBZ5250A-HF	19.60	20	20.40	6.2	25	600	0.1	15	J5.
MMBZ5251A-HF	21.56	22	22.44	5.6	29	600	0.1	17	K1.
MMBZ5252A-HF	23.52	24	24.48	5.2	33	600	0.1	18	K2.
MMBZ5253A-HF	24.50	25	25.50	5.0	35	600	0.1	19	K3.
MMBZ5254A-HF	26.46	27	27.54	5.0	41	600	0.1	21	K4.
MMBZ5256A-HF	29.40	30	30.60	4.2	49	600	0.1	23	M1.
MMBZ5257A-HF	32.34	33	33.66	3.8	58	700	0.1	25	M2.
MMBZ5258A-HF	35.28	36	36.72	3.4	70	700	0.1	27	M3.
MMBZ5259A-HF	38.22	39	39.78	3.2	80	800	0.1	30	M4.
MMBZ5260A-HF	42.14	43	43.86	3.0	93	900	0.1	33	M5.
MMBZ5261A-HF	46.06	47	47.94	2.7	105	1000	0.1	36	N1.
MMBZ5262A-HF	49.98	51	52.02	2.5	125	1000	0.1	39	N2.

Rating and Characteristic Curves (MMBZ5229A-HF Thru. MMBZ5262A-HF)

Fig.1 - Steady State Power Derating

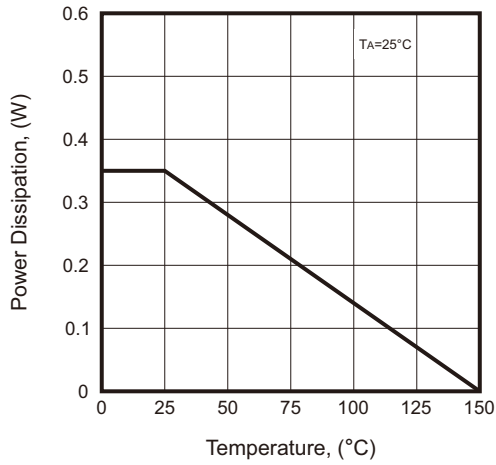


Fig.2 - Temperature Coefficients

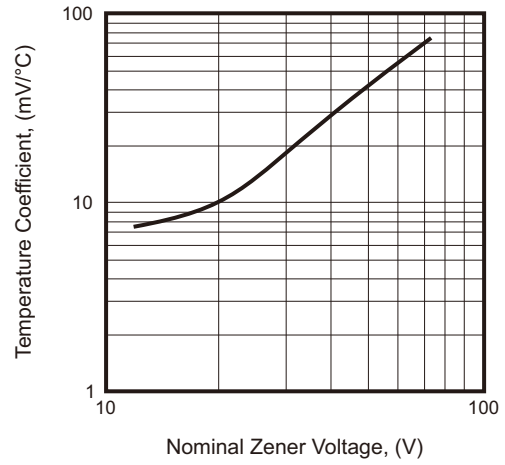


Fig.3 - Typical Leakage Current

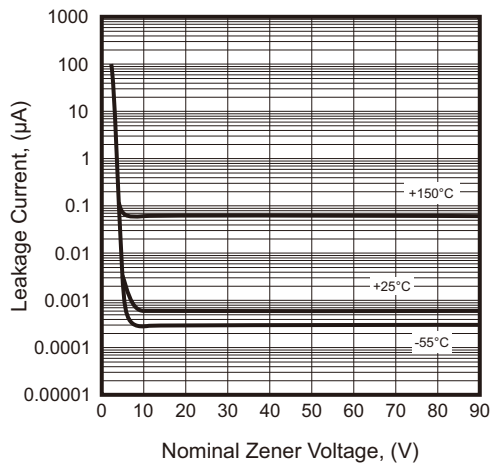
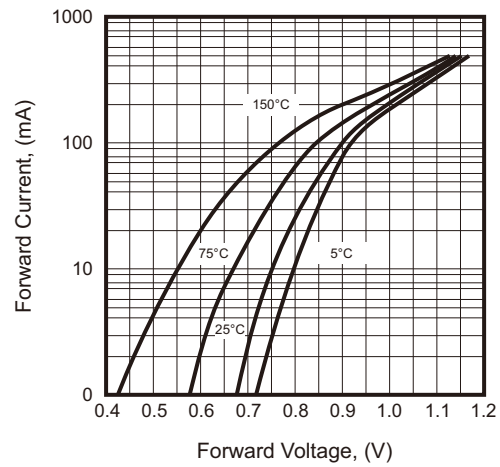
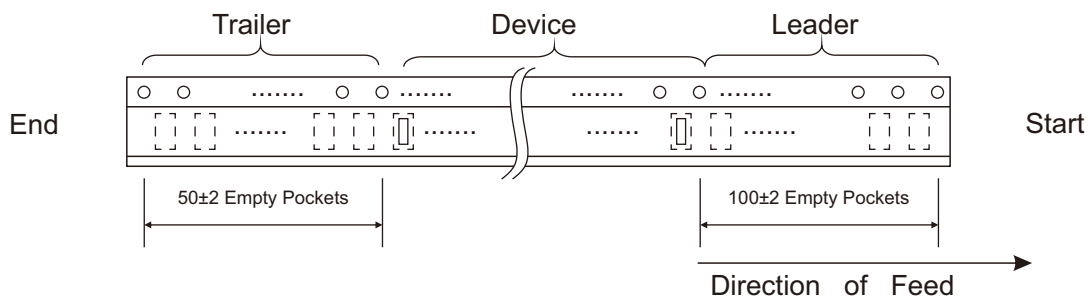
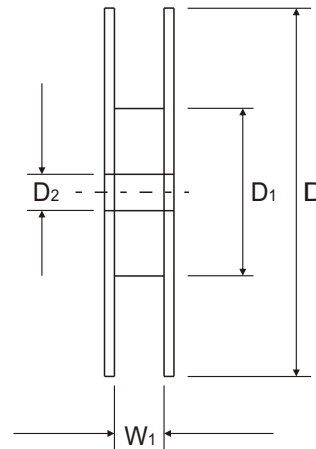
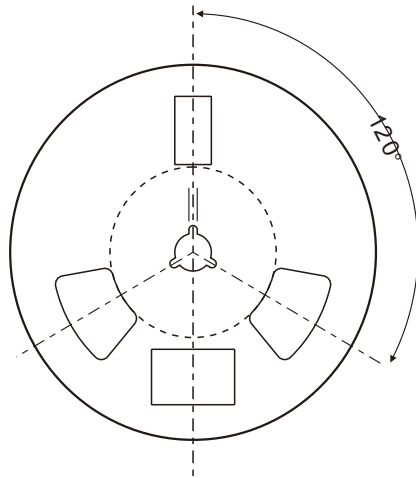
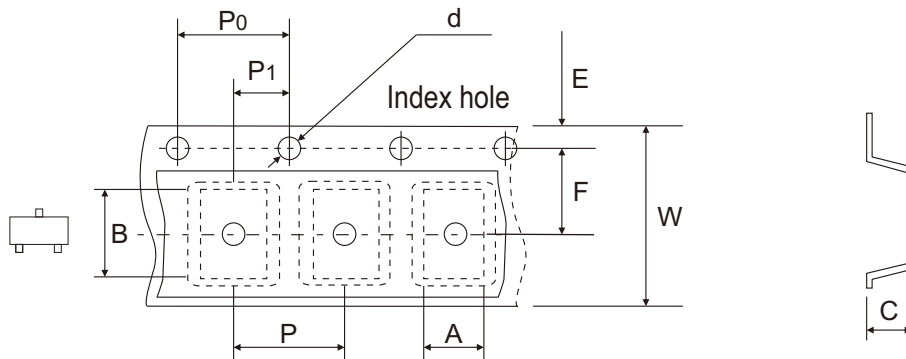


Fig.4 - Typical Forward Voltage



Reel Taping Specification



SOT-23	SYMBOL	A	B	C	d	D	D1	D2
	(mm)	3.15 ± 0.10	2.77 ± 0.10	1.22 ± 0.10	1.50 ± 0.10	178.00 ± 1.00	54.00 ± 0.50	13.00 ± 0.50
	(inch)	0.124 ± 0.004	0.109 ± 0.004	0.048 ± 0.004	0.059 ± 0.004	7.008 ± 0.039	2.126 ± 0.020	0.512 ± 0.020

SOT-23	SYMBOL	E	F	P	P0	P1	W	W1
	(mm)	1.75 ± 0.10	3.50 ± 0.05	4.00 ± 0.10	4.00 ± 0.10	2.00 ± 0.05	8.00 + 0.30 - 0.10	9.50 ± 1.00
	(inch)	0.069 ± 0.004	0.138 ± 0.002	0.157 ± 0.004	0.157 ± 0.004	0.079 ± 0.002	0.315 + 0.012 - 0.004	0.374 ± 0.039

Company reserves the right to improve product design, functions and reliability without notice. REV:A