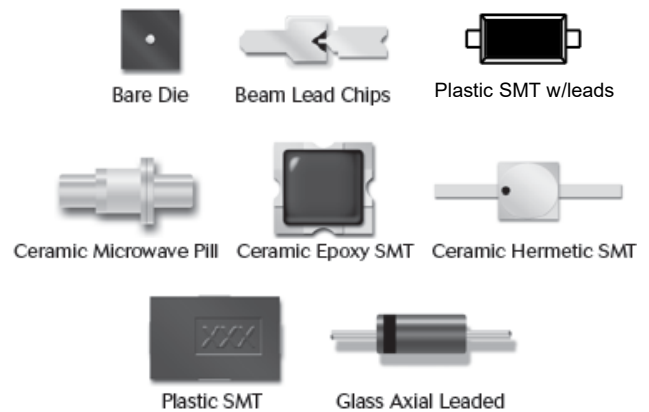


## Features

- Output Combs to 40+ GHz
- Transition Times down to 35 ps
- Screening per MIL-PRF-19500 and MIL-PRF-38534 available

## Description

The diodes feature fully passivated, true mesa construction for sharp transitions and improved stability. The beam lead SRDs have the industry's fastest transition times for millimeter wave multiplication and picoseconds pulse forming.



## Chip & Beam Lead Electrical Specifications: $T_A = 25^\circ\text{C}$

Model	Voltage Breakdown ( $V_B$ )	Junction Capacitance ( $C_J$ )		Lifetime (t)		Transition Time ( $t_t$ )		Frequency Cutoff ( $F_{CO}$ )	Theta ( $\theta_{JC}$ )
	V	pF		ns		ps		GHz	$^\circ\text{C/W}$
	Min.	Min.	Max.	Min.	Typ.	Typ.	Max.	Typ.	Max.
<b>Chip</b>									
MMD805-C12	60	2.5	3.5	80	100	250	300	130	15
MMD810-C12	50	1.5	2.5	40	70	200	250	200	22
MMD820-C12	40	1.0	1.7	30	60	80	100	390	25
MMD830-C11	25	0.5	1.0	15	30	60	80	700	45
MMD832-C11	20	0.4	0.8	10	15	60	80	660	50
MMD835-C11	15	0.3	0.7	10	20	60	70	800	60
MMD837-C11	20	0.2	0.4	5	10	60	70	1300	60
MMD840-C11	15	0.2	0.4	7	15	60	70	880	60
<b>Beam Lead</b>									
MMDB30-B11	14	0.15	0.25	1	4	30	38	530	600
MMDB35-B11	16	0.13	0.20	1	4	35	45	482	600
MMDB45-B11	25	0.11	0.20	3	8	45	58	410	600

Test Conditions:

$V_B$ :  $I_R = 10 \mu\text{A}$

$C_J$ :  $V_R = 6 \text{ V}$ , 1 MHz

t:  $I_F = 10 \text{ mA}$ ,  $I_R = 6 \text{ mA}$  @ 50% Recovery

$t_t$ : for Chip:  $I_F = 10 \text{ mA}$ ,  $V_R = 10 \text{ V}$

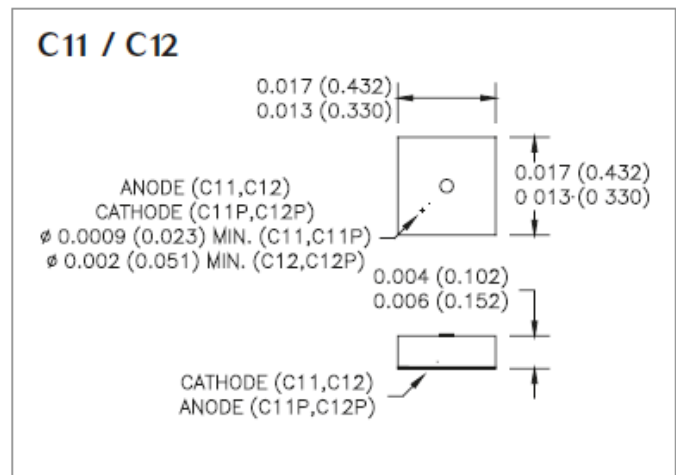
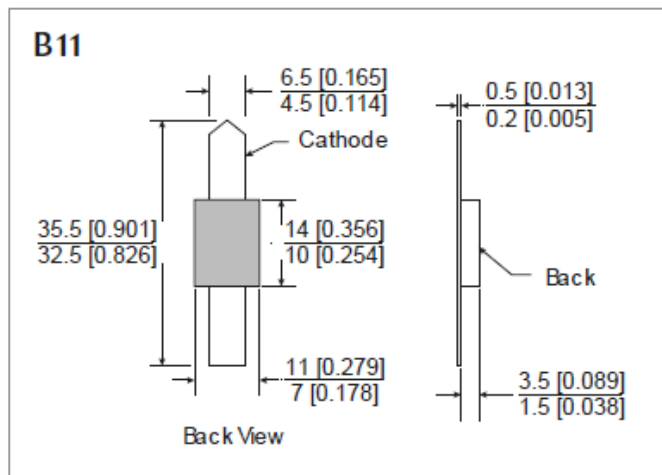
$t_t$ : for Beam Lead:  $I_F = 3 \text{ mA}$ ,  $V_R = 7 \text{ V}$

$F_{CO}$ :  $1/2\pi R_s$

## Absolute Maximum Ratings

Parameters	Rating
Reverse Voltage	Rated $V_{BR}$
Forward Current	Chip = 150 mA Beam Lead = 50 mA
CW Power Dissipation	150°C / $\theta_{JC}$ @ +25°C, derate linearly to zero @ $T_{HSK} = +175^\circ\text{C}$
Operating / Storage Temperature	-65°C to +175°C
Mounting / Bonding Temperature	Chip = +310°C for 30 seconds Beam Lead = +235°C for 10 seconds

## Chip & Beam Lead Outline Drawings



## Ceramic Packaged Electrical Specifications: $T_A = 25^\circ\text{C}$

Model	Voltage Breakdown ( $V_B$ )	Total Capacitance ( $C_T$ )		Lifetime (t)		Transition Time (t)		Package
	V	pF		ns		ps		
	Min.	Min.	Max.	Min.	Typ.	Typ.	Max.	
MMD805-	60	2.57	3.57	80	100	250	300	E25
		2.58	3.58					E28 / 28X
		2.68	3.68					H20
		2.68	3.68					T86
		2.75	3.75					T89
		2.56	3.56					0805-2
MMD810-	50	1.58	2.58	40	70	200	250	E28 / 28X
		1.68	2.68					H20
		1.68	2.68					T86
		1.75	2.75					T89
MMD820-	40	1.08	1.78	30	60	80	100	E28 / 28X
		1.18	1.88					H20
		1.18	1.88					T86
		1.06	1.76					0805-2
MMD830-	25	0.58	1.08	15	30	60	80	E28 / 28X
		0.68	1.18					H20
		0.68	1.18					T86
		0.56	1.06					0805-2
MMD832-	20	0.48	0.88	10	15	60	80	E28 / 28X
		0.58	0.98					H20
		0.58	0.98					T86
		0.46	0.86					0805-2
MMD835-	15	0.38	0.88	10	20	50	70	E28 / 28X
		0.42	0.92					H20
		0.48	0.98					T86
		0.36	0.86					0805-2

Test Conditions:

$V_B$ :  $I_R = 10 \mu\text{A}$

$C_T$ :  $V_R = 6 \text{ V}$ , 1 MHz

t:  $I_F = 10 \text{ mA}$ ,  $I_R = 6 \text{ mA}$  @ 50% Recovery

$t_t$ : for MMD805 - MMD840:  $I_F = 10 \text{ mA}$ ,  $V_R = 10 \text{ V}$

$t_t$ : for MMDB30 - MMDB45:  $I_F = 3 \text{ mA}$ ,  $V_R = 7 \text{ V}$

(Continued next page)

## Ceramic Packaged Electrical Specifications: $T_A = 25^\circ\text{C}$

Model	Voltage Breakdown ( $V_B$ )	Total Capacitance ( $C_T$ )		Lifetime (t)		Transition Time ( $t_i$ )		Package
	V	pF		ns		ps		
	Min.	Min.	Max.	Min.	Typ.	Typ.	Max.	
MMD837-	20	0.28	0.48	5	10	50	70	E28 / 28X
		0.32	0.52					H27
		0.38	0.58					T86
		0.26	0.46					805-2
MMD840-	15	0.28	0.48	7	15	50	70	E28 / 28X
		0.32	0.52					H27
		0.38	0.58					T86
		0.26	0.46					0805-2
MMDB30-	14	0.23	0.33	1	4	30	38	E28 / 28X
		0.20	0.30					0402
		0.21	0.31					0805-2
MMDB35-	16	0.21	0.28	1	4	35	45	E28 / 28X
		0.18	0.22					0402
		0.19	0.26					0805-2
MMDB45-	25	0.19	0.28	3	8	45	58	E28 / 28X
		0.16	0.25					0402
		0.17	0.26					0805-2

Test Conditions:

$V_B$ :  $I_R = 10 \mu\text{A}$

$C_T$ :  $V_R = 6 \text{ V}$ , 1 MHz

t:  $I_F = 10 \text{ mA}$ ,  $I_R = 6 \text{ mA}$  @ 50% Recovery

$t_i$ : for MMD805 - MMD840:  $I_F = 10 \text{ mA}$ ,  $V_R = 10 \text{ V}$

$t_i$ : for MMDB30 - MMDB45:  $I_F = 3 \text{ mA}$ ,  $V_R = 7 \text{ V}$

## Absolute Maximum Ratings

Parameters	Rating
Reverse Voltage	Rated $V_{BR}$
Forward Current	MMD = 150 mA MMDB = 50 mA
Operating / Storage Temperature	$-65^\circ\text{C}$ to $+175^\circ\text{C}$
Mounting / Bonding Temperature	$+260^\circ\text{C}$ peak per JEDEC J-STD-20C

4

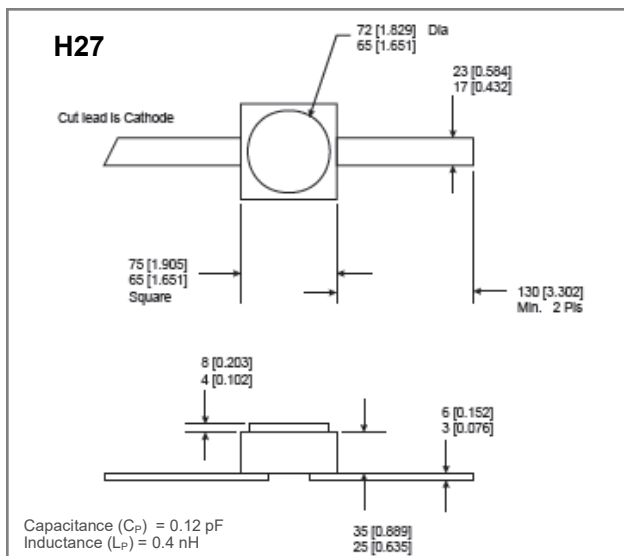
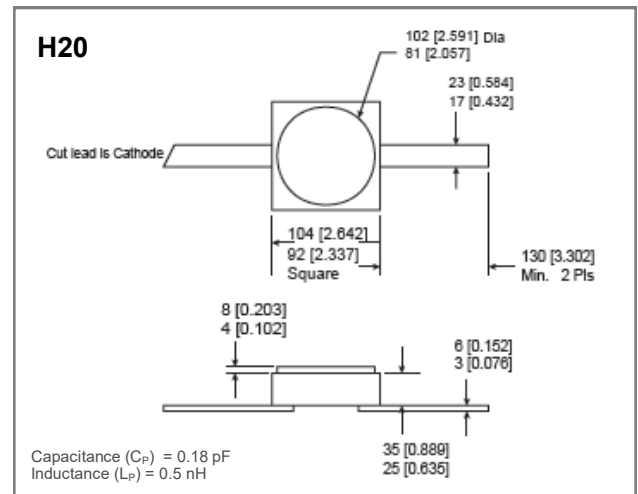
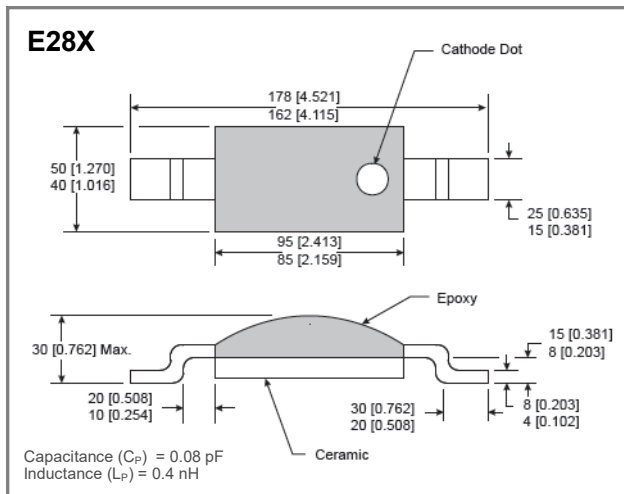
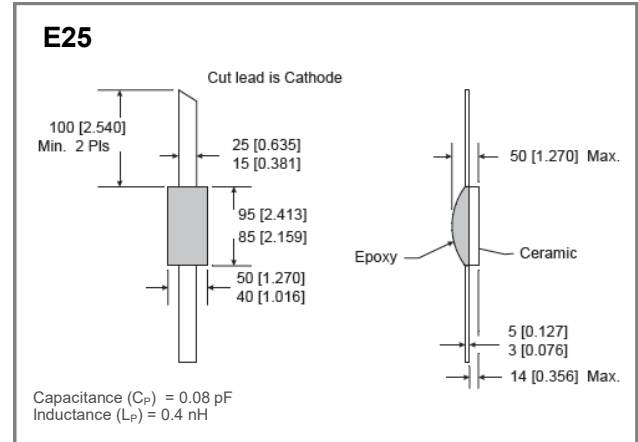
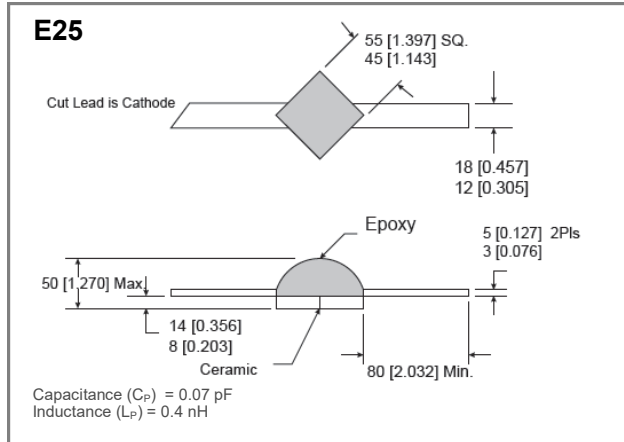
MACOM Technology Solutions Inc. (MACOM) and its affiliates reserve the right to make changes to the product(s) or information contained herein without notice. Visit [www.macom.com](http://www.macom.com) for additional data sheets and product information.

For further information and support please visit:  
<https://www.macom.com/support>

DC-0012557

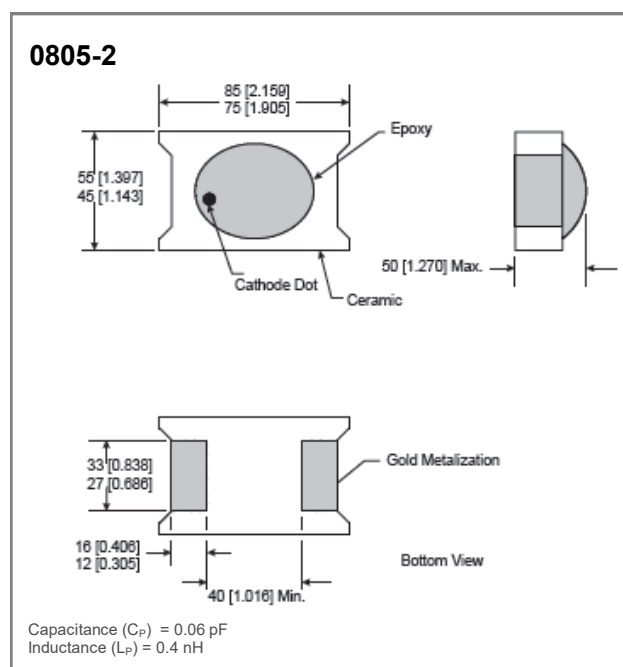
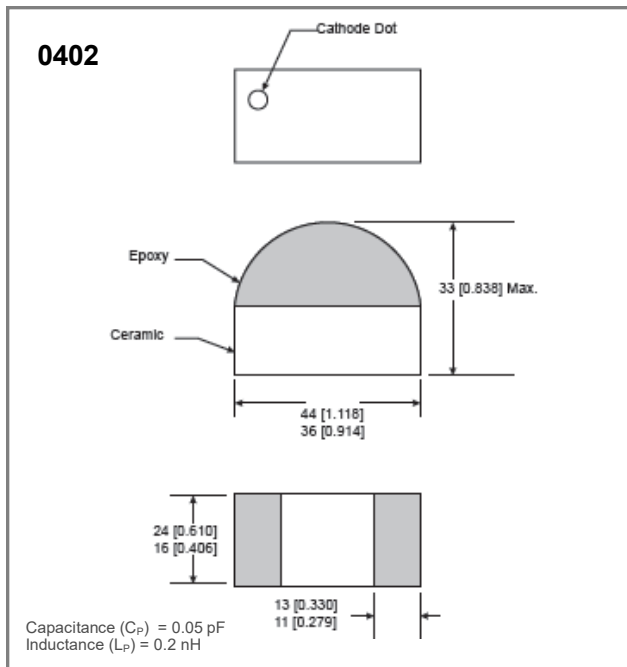
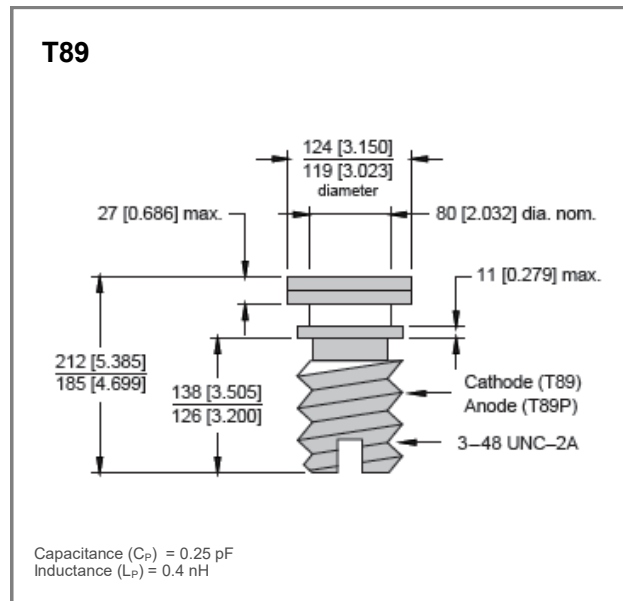
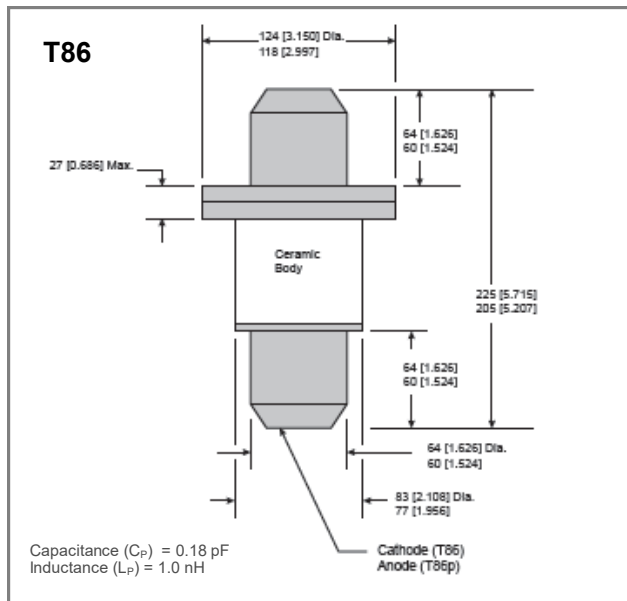
## MMDx & SMMDx Series Rev. V4

### Ceramic Outline Drawings: Dimension = mils (mm)



(Continued next page)

## Ceramic Outline Drawings: Dimension = mils (mm)



## Glass Packaged Electrical Specifications: $T_A = 25^\circ\text{C}$

Model # (-package)	Voltage Breakdown ( $V_B$ )	Total Capacitance ( $C_T$ )		Lifetime (t)		Transition Time ( $t_t$ )		Package
	V	pF		ns		ps		
	Min.	Typ.	Max.	Min.	Typ.	Typ.	Max.	
MMD0151-	15	0.70	0.80	10	15	100	—	A15
MMD0153-	25	0.45	0.55	10	15	95	—	
MMD0803-	70	4.15	6.15	200	250	275	400	
MMD0815-	50	3.15	4.15	100	135	180	320	
MMD0825-	45	1.15	2.15	30	50	130	160	
MMD0833-	25	1.75	1.80	10	15	90	—	
MMD0840-	15	0.60	0.75	10	20	75	—	

Test Conditions:

$V_B$ :  $I_R = 10 \mu\text{A}$

$C_T$ : for MMD0151 & MMD0153:  $V_R = 6 \text{ V}$ , 1 MHz

$C_T$ : for MMD0803 - MMD0840:  $V_R = 10 \text{ V}$ , 1 MHz

t:  $I_F = 10 \text{ mA}$ ,  $I_R = 6 \text{ mA}$  @ 50% Recovery

$t_t$ : for MMD0803 - MMD0825:  $I_F = 10 \text{ mA}$ ,  $V_R = 10 \text{ V}$

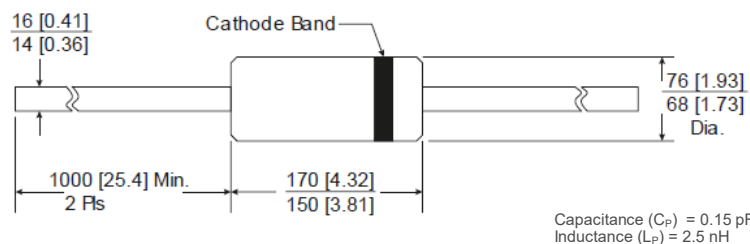
$t_t$ : for MMD0151, MMD0153, MMD0833, MMD0840: chip data packaged limits to 100 ps

## Absolute Maximum Ratings

Parameters	Rating
Reverse Voltage	Rated $V_{BR}$
Forward Current	100 mA
Thermal Resistance, Junction to Case	+600°C/W
Operating / Storage Temperature	-65°C to +200°C
Mounting / Bonding Temperature	+230°C for 10 seconds

## Glass Outline Drawing

A15



7

MACOM Technology Solutions Inc. (MACOM) and its affiliates reserve the right to make changes to the product(s) or information contained herein without notice. Visit [www.macom.com](http://www.macom.com) for additional data sheets and product information.

For further information and support please visit:  
<https://www.macom.com/support>

DC-0012557

Plastic Packaged Electrical Specifications:  $T_A = 25^\circ\text{C}$ 

Model	Voltage Breakdown ( $V_B$ )	Junction Capacitance ( $C_J$ )		Lifetime (t)		Transition Time ( $t_t$ )		Package
	V	pF		ns		ps		
	Min.	Min.	Max.	Min.	Typ.	Typ.	Max.	
SMMD805-	60	2.5	3.5	80	100	250	300	SOT23 (-0S, -1S)
								SOD323
SMMD810-	50	1.5	2.5	40	70	200	250	SOT23 (-0S, -1S)
								SOD323
SMMD820-	40	1.0	1.7	30	60	110	125	SOT23 (-0S, -1S)
								SOD323
SMMD830-	25	0.5	1.0	15	30	90	110	SOT23 (-0S, -1S)
								SOD323
SMMD832-	20	0.4	0.8	10	20	85	100	SOT23 (-0S, -1S)
								SOD323
								SC79 (SOD523)*
SMMD835-	20	0.3	0.7	10	15	80	100	SOT23 (-0S, -1S)
								SOD323
SMMD837-	20	0.2	0.4	5	12	75	90	SOT23 (-0S, -1S)
								SOD323
SMMD840-	15	0.2	0.4	5	10	70	90	SOT23 (-0S, -1S)
								SOD323

Test Conditions:

 $V_B: I_R = 10 \mu\text{A}$  $C_J: V_R = 6 \text{ V}, 1 \text{ MHz}$  $t: I_F = 10 \text{ mA}, I_R = 6 \text{ mA @ } 50\% \text{ Recovery}$ 

## \* MAVR-011057-12790T

 $V_B: I_R @ 10 \mu\text{A} = 20 \text{ V min.}$  $C_J: V_R @ 6 \text{ V}, 1 \text{ MHz} = 0.75 \text{ pF max.}$  $t_I: I_F @ 10 \text{ mA}, I_R @ 6 \text{ mA @ } 50\% \text{ Recovery} = 10 \text{ ns typ.}$ 

## Absolute Maximum Ratings

Parameters	Rating
Reverse Voltage	Rated $V_{BR}$
Forward Current	100 mA
Power Dissipation	250 mW, derate linearly to zero @ $T_A = +150^\circ\text{C}$
Operating / Storage Temperature	$-65^\circ\text{C}$ to $+150^\circ\text{C}$
Mounting / Bonding Temperature	$+260^\circ\text{C}$ peak per JEDEC J-STD-20C

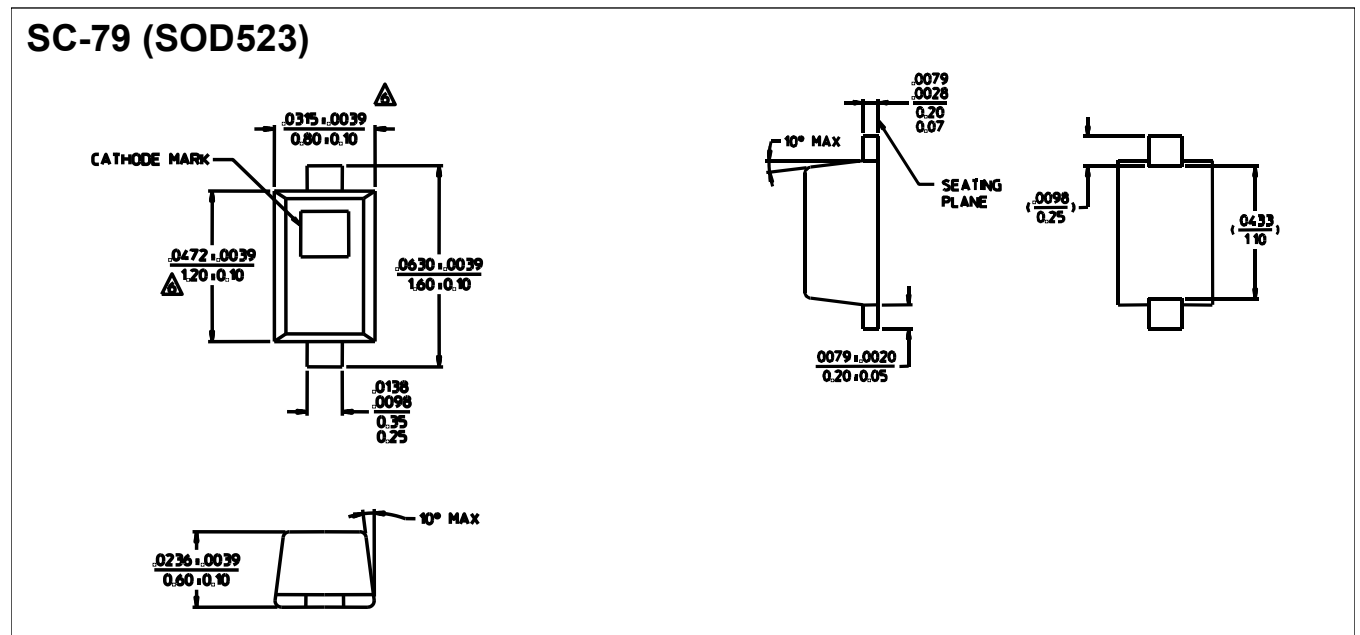
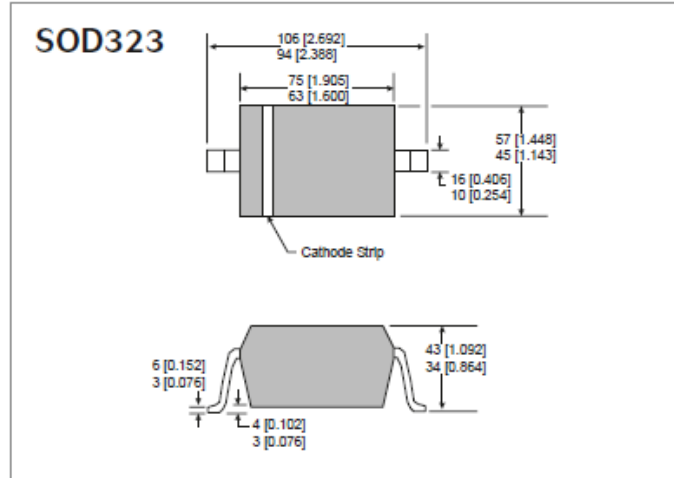
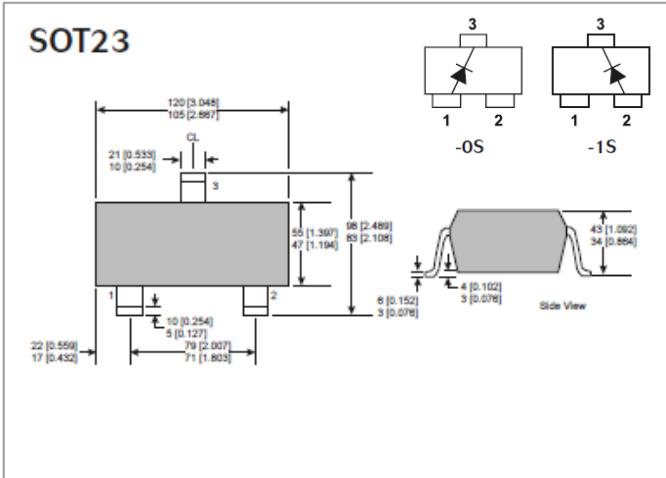
8

MACOM Technology Solutions Inc. (MACOM) and its affiliates reserve the right to make changes to the product(s) or information contained herein without notice.  
Visit [www.macom.com](http://www.macom.com) for additional data sheets and product information.



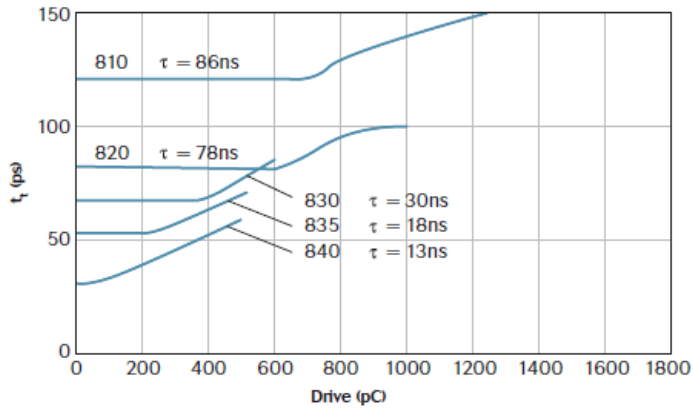
## MMDx & SMMDx Series Rev. V4

### Plastic Outline Drawings

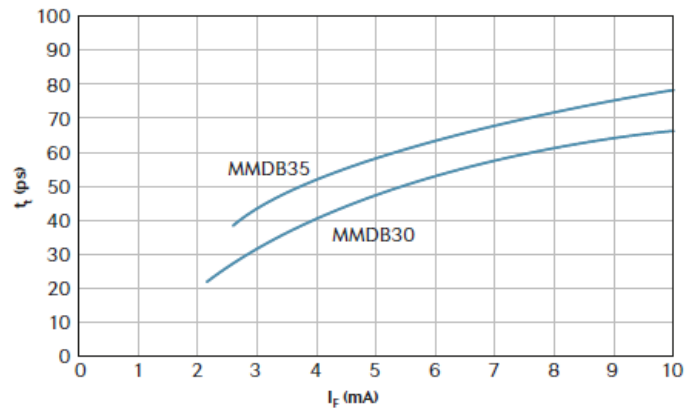


## Typical Performance Curves: $T_A = 25^\circ\text{C}$

### Transition Time vs. Drive



### Transition Time vs. Forward Current



### Transition Time Test Circuit

