

# Bottom Port PDM Digital Output Multi-Mode Microphone

## GENERAL DESCRIPTION

The T5837 is a multi-mode, low noise digital MEMS microphone in a small package. The T5837 consists of a MEMS microphone element and an impedance converter amplifier followed by a  $\Sigma$ - $\Delta$  modulator. The digital interface allows the pulse density modulated (PDM) output of two microphones to be time multiplexed on a single data line using a single clock.

The T5837 has multiple modes of operation: High Quality, Low-Power (AlwaysOn), Ultrasonic and Sleep modes. The T5837 has high SNR in all operational modes. It has 133 dB SPL AOP in High Quality Mode and 117 dB SPL AOP in Low-Power mode.

The T5837 is available in a standard  $3.5 \times 2.65 \times 0.98$  mm surface-mount package. It is reflow solder compatible with no sensitivity degradation.

## APPLICATIONS

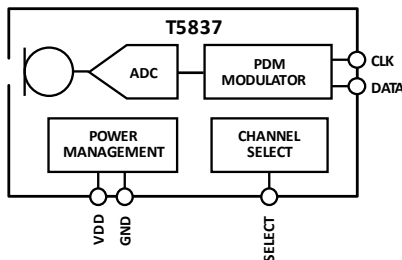
- Smartphones
- Microphone Arrays
- Tablet Computers
- Cameras

SPEC	HIGH QUALITY MODE	LOW-POWER MODE	ULTRASONIC MODE
<b>Sensitivity</b>	-37 dB FS $\pm$ 1 dB	-21 dB FS $\pm$ 1 dB	-37 dB FS $\pm$ 1 dB
<b>SNR</b>	68 dBA	65.5 dBA	68dBA
<b>Current</b>	310 $\mu$ A	120 $\mu$ A	500 $\mu$ A
<b>AOP</b>	133 dB SPL	117 dB SPL	133 dB SPL
<b>Clock</b>	2.0 MHz to 3.7 MHz	400 kHz to 800 kHz	4.2 MHz to 4.8 MHz

## FEATURES

- $3.5 \times 2.65 \times 0.98$  mm surface-mount package
- Extended frequency response from 27 Hz to >20 kHz
- Sleep Mode: 9  $\mu$ A
- $\Sigma$ - $\Delta$  modulator
- Digital pulse density modulation (PDM) output
- Compatible with Sn/Pb and Pb-free solder processes
- RoHS/WEEE compliant

## FUNCTIONAL BLOCK DIAGRAM



## ORDERING INFORMATION

PART	TEMP RANGE	PACKAGING
<b>MMICT5837-00-012</b>	-40°C to +85°C	13" Tape and Reel
<b>EV_T5837-FX2</b>	-	

## TABLE OF CONTENTS

General Description .....	1
Applications .....	1
Features .....	1
Functional Block Diagram .....	1
Ordering Information .....	1
Table of Contents .....	2
1.Specifications.....	4
1.1. Acoustical/Electrical Characteristics – General .....	4
1.2. Acoustical/Electrical Characteristics – High Quality Mode .....	4
1.3. Acoustical/Electrical Characteristics – Low-Power Mode .....	5
1.4. Acoustical/Electrical Characteristics – Ultrasonic Mode .....	5
1.5. Digital Input/Output Characteristics .....	5
1.6. PDM Digital Input/Output .....	6
1.7. Timing Diagram .....	6
2.Absolute Maximum Ratings.....	7
2.1. Absolute Maximum Ratings .....	7
2.2. ESD Caution .....	7
2.3. Soldering Profile .....	8
2.4. Recommended Soldering Profile* .....	8
3.Pin Configurations And Function Descriptions .....	9
3.1. Pin Function Descriptions.....	9
4.Typical Performance Characteristics .....	10
5.Theory Of Operation.....	11
5.1. PDM Data Format.....	11
5.2. T5837 Channel Setting .....	12
5.3. PDM Microphone Sensitivity.....	12
6.Applications Information .....	14
6.1. Low-Power Mode .....	14
6.2. Dynamic Range Considerations .....	14
6.3. Connecting PDM Microphones .....	14
6.4. Sleep Mode .....	16
6.5. Start-Up Time .....	16
7.Supporting Documents.....	17
7.1. Application Notes – General .....	17
8.PCB Design And Land Pattern Layout .....	18
8.1. PCB Material And Thickness .....	19

---

9. Handling Instructions.....	20
9.1. Pick And Place Equipment.....	20
9.2. Reflow Solder .....	20
9.3. Board Wash .....	20
10. Outline Dimensions .....	21
10.1. Ordering Guide .....	21
10.3. Revision History.....	22
11. Compliance Declaration Disclaimer .....	23

### 1.1. SPECIFICATIONS

### 1.2. ACOUSTICAL/ELECTRICAL CHARACTERISTICS – GENERAL

T<sub>A</sub> = 25°C, V<sub>DD</sub> = 1.8 V, SCK = 2.4 MHz, C<sub>LOAD</sub> = 30 pF unless otherwise noted. Typical specifications are not guaranteed.

PARAMETER	CONDITIONS	MIN	TYP	MAX	UNITS	NOTES
<b>PERFORMANCE</b>						
Directionality		Omni				
Output Polarity	Input acoustic pressure vs. output data	Non-Inverted				
Supply Voltage (V <sub>DD</sub> )		1.65	1.8	1.98	V	
Sleep Mode Current (I <sub>S</sub> )	SCK < 200 kHz		9		μA	
	SCK = OFF		0.8		μA	

**Table 1. Acoustic/Electrical Characteristics – General**

### 1.3. ACOUSTICAL/ELECTRICAL CHARACTERISTICS – HIGH QUALITY MODE

T<sub>A</sub> = 25°C, V<sub>DD</sub> = 1.8 V, SCK = 2.4 MHz, C<sub>LOAD</sub> = 30 pF unless otherwise noted. Typical specifications are not guaranteed.

PARAMETER	CONDITIONS	MIN	TYP	MAX	UNITS	NOTES
Sensitivity	1 kHz, 94 dB SPL	-38	-37	-36	dB FS	1
Signal-to-Noise Ratio (SNR)	20 kHz bandwidth, A-weighted		68		dB	
Equivalent Input Noise (EIN)	20 kHz bandwidth, A-weighted		26		dB SPL	
Acoustic Dynamic Range	Derived from EIN and acoustic overload point		107		dB	
Total Harmonic Distortion (THD)	105 dB SPL		0.1		%	
Low Frequency Roll Off	-3dB, relative to 1kHz Sensitivity		27		Hz	
Power Supply Rejection (PSR)	20 Hz, 100 mVpp applied to V <sub>DD</sub>		-82		dB FS(A)	
	1 kHz, 100 mVpp applied to V <sub>DD</sub>		-123			
	5 kHz, 100 mVpp applied to V <sub>DD</sub>		-109			
	10 kHz, 100 mVpp applied to V <sub>DD</sub>		-99			
	20 kHz, 100 mVpp applied to V <sub>DD</sub>		-102			
Power Supply Rejection (PSR)	217 Hz, 100 mV p-p square wave superimposed on V <sub>DD</sub> = 1.8 V, A-weighted		-109		dB FS (A)	
Power Supply Rejection—Swept Sine	1 kHz sine wave		-119		dB FS	
Acoustic Overload Point	10% THD		133		dB SPL	
Supply Current (I <sub>S</sub> )	V <sub>DD</sub> = 1.8 V, no load		310	340	μA	

**Note 1:** Sensitivity is relative to the RMS level of a sine wave with positive amplitude equal to 100% 1s density and negative amplitude equal to 0% 1s density.

**Table 2. Acoustic/Electrical Characteristics – High Quality Mode**

### 1.4. ACOUSTICAL/ELECTRICAL CHARACTERISTICS – LOW-POWER MODE

T<sub>A</sub> = 25°C, V<sub>DD</sub> = 1.8 V, SCK = 768 kHz, C<sub>LOAD</sub> = 30 pF unless otherwise noted. Typical specifications are not guaranteed.

PARAMETER	CONDITIONS	MIN	TYP	MAX	UNITS	NOTES
Sensitivity	1 kHz, 94 dB SPL	-22	-21	-20	dB FS	1
Signal-to-Noise Ratio (SNR)	8 kHz bandwidth, A-weighted		65.5		dBA	
Equivalent Input Noise (EIN)	8 kHz bandwidth, A-weighted		28.5		dBA SPL	
Acoustic Dynamic Range	Derived from EIN and acoustic overload point		88.5		dB	
Total Harmonic Distortion (THD)	105 dB SPL		0.1		%	
Power Supply Rejection (PSR)	217 Hz, 100 mV p-p square wave superimposed on V <sub>DD</sub> = 1.8 V, A-weighted		-95		dB FS	
Power Supply Rejection—Swept Sine	1 kHz sine wave		-100		dB FS	
Acoustic Overload Point	10% THD		117		dB SPL	
Supply Current (I <sub>s</sub> )	V <sub>DD</sub> = 1.8 V, no load		120	140	μA	

**Note 1:** Sensitivity is relative to the RMS level of a sine wave with positive amplitude equal to 100% 1s density and negative amplitude equal to 0% 1s density.

**Table 3. Acoustic/Electrical Characteristics – Low-Power Mode**

### 1.5. ACOUSTICAL/ELECTRICAL CHARACTERISTICS – ULTRASONIC MODE

T<sub>A</sub> = 25°C, V<sub>DD</sub> = 1.8 V, SCK = 4.8 MHz, C<sub>LOAD</sub> = 30 pF unless otherwise noted. Typical specifications are not guaranteed.

PARAMETER	CONDITIONS	MIN	TYP	MAX	UNITS	NOTES
Sensitivity	1 kHz, 94 dB SPL	-38	-37	-36	dB FS	1
Signal-to-Noise Ratio (SNR)	20 kHz bandwidth, A-weighted		68		dBA	
Equivalent Input Noise (EIN)	20 kHz bandwidth, A-weighted		26		dBA SPL	
Acoustic Dynamic Range	Derived from EIN and acoustic overload point		107		dB	
Total Harmonic Distortion (THD)	105 dB SPL		0.1		%	
Low Frequency Roll Off	-3dB, relative to 1kHz Sensitivity		27		Hz	
Power Supply Rejection (PSR)	217 Hz, 100 mV p-p square wave superimposed on V <sub>DD</sub> = 1.8 V, A-weighted		-104		dB FS (A)	
Power Supply Rejection—Swept Sine	1 kHz sine wave		-119		dB FS	
Acoustic Overload Point	10% THD		133		dB SPL	
Supply Current (I <sub>s</sub> )	V <sub>DD</sub> = 1.8 V, no load		500		μA	

**Note 1:** Sensitivity is relative to the RMS level of a sine wave with positive amplitude equal to 100% 1s density and negative amplitude equal to 0% 1s density.

**Table 4. Acoustic/Electrical Characteristics – Ultrasonic Mode**

### 1.6. DIGITAL INPUT/OUTPUT CHARACTERISTICS

T<sub>A</sub> = 25°C, V<sub>DD</sub> = 1.8 V, unless otherwise noted.

PARAMETER	CONDITIONS	MIN	TYP	MAX	UNITS	NOTES
Input Voltage High (V <sub>IH</sub> )		0.65 × V <sub>DD</sub>			V	
Input Voltage Low (V <sub>IL</sub> )				0.35 × V <sub>DD</sub>	V	
Output Voltage High (V <sub>OH</sub> )	I <sub>LOAD</sub> = 0.5 mA	0.7 × V <sub>DD</sub>	V <sub>DD</sub>		V	
Output Voltage Low (V <sub>OL</sub> )	I <sub>LOAD</sub> = 0.5 mA		0	0.3 × V <sub>DD</sub>	V	
Output DC Offset	Percent of full scale		3		%	

**Table 5. Digital Input/Output Characteristics**

**1.7. PDM DIGITAL INPUT/OUTPUT**

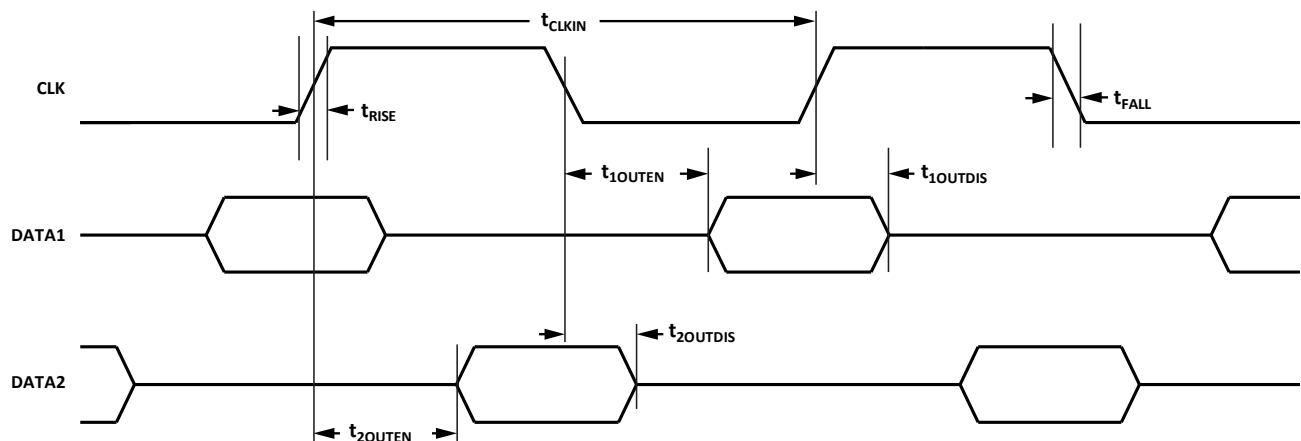
T<sub>A</sub> = 25°C, VDD = 1.8 V, unless otherwise noted.

PARAMETER	CONDITIONS	MIN	TYP	MAX	UNITS	NOTES
<b>MODE SWITCHING</b>						
Sleep Time	Time from f <sub>CLK</sub> falling <200 kHz		1		ms	
Wake-Up Time	High Quality mode, Sleep Mode to f <sub>CLK</sub> >1.2 MHz, output within 0.5 dB of final sensitivity, power on		6		ms	
Wake-Up Time	Low-Power Mode, Sleep Mode to f <sub>CLK</sub> >400 kHz, output within 0.5 dB of final sensitivity, power on		6		ms	
Switching time	Between Low-Power and High Quality Mode		3.5		ms	
<b>INPUT</b>						
t <sub>CLKIN</sub>	Input clock period	208		2500	ns	
	Sleep Mode			200	kHz	
	Low-Power Mode	400		800	kHz	
	High-Quality Mode	2.0		3.7	MHz	
	Ultrasonic Mode	4.2		4.8	MHz	
Clock Duty Cycle	f <sub>CLK</sub> <4.8 MHz	45		55	%	
t <sub>RISE</sub>	CLK rise time (10% to 90% level)			25	ns	1
t <sub>FALL</sub>	CLK fall time (90% to 10% level)			25	ns	1
<b>OUTPUT</b>						
t <sub>1OUTEN</sub>	DATA1 (right) driven after falling clock edge	30		70	ns	
t <sub>1OUTDIS</sub>	DATA1 (right) disabled after rising clock edge	5		18	ns	
t <sub>2OUTEN</sub>	DATA2 (left) driven after rising clock edge	30		70	ns	
t <sub>2OUTDIS</sub>	DATA2 (left) disabled after falling clock edge	5		18	ns	

**Note 1:** Guaranteed by design

**Table 6. PDM Digital Input/Output**

**1.8. TIMING DIAGRAM**



**Figure 1. Pulse Density Modulated Output Timing**

## 2. ABSOLUTE MAXIMUM RATINGS

Stress above those listed as Absolute Maximum Ratings may cause permanent damage to the device. These are stress ratings only and functional operation of the device at these conditions is not implied. Exposure to the absolute maximum ratings conditions for extended periods may affect device reliability.

### 2.1. ABSOLUTE MAXIMUM RATINGS

PARAMETER	RATING
Supply Voltage ( $V_{DD}$ )	-0.3 V to +1.98 V
Digital Pin Input Voltage	-0.3 V to $V_{DD} + 0.3$ V or 1.98 V, whichever is less
Mechanical Shock	10,000 <i>g</i>
Vibration	Per MIL-STD-883 Method 2007, Test Condition B
Temperature Range	
Operating	-40°C to +85°C
Storage	-55°C to +150°C

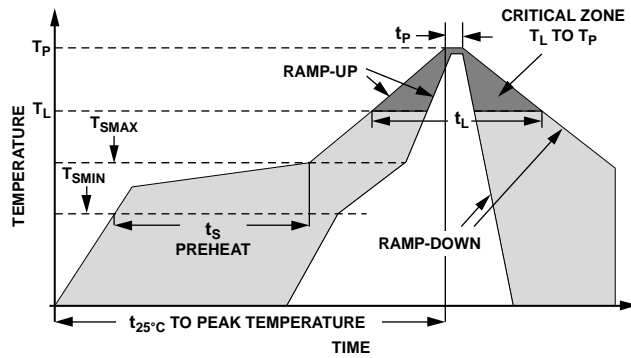
**Table 7. Absolute Maximum Ratings**

### 2.2. ESD CAUTION



ESD (electrostatic discharge) sensitive device. Charged devices and circuit boards can discharge without detection. Although this product features patented or proprietary protection circuitry, damage may occur on devices subjected to high energy ESD. Therefore proper ESD precautions should be taken to avoid performance degradation or loss of functionality.

**2.3. SOLDERING PROFILE**



**Figure 2. Recommended Soldering Profile Limits**

**2.4. RECOMMENDED SOLDERING PROFILE\***

PROFILE FEATURE		Sn63/Pb37	Pb-Free
Average Ramp Rate ( $T_L$ to $T_P$ )		1.25°C/sec max	1.25°C/sec max
Preheat	Minimum Temperature ( $T_{SMIN}$ )	100°C	100°C
	Maximum Temperature ( $T_{SMAX}$ )	150°C	200°C
	Time ( $T_{SMIN}$ to $T_{SMAX}$ ), $t_s$	60 sec to 75 sec	60 sec to 75 sec
Ramp-Up Rate ( $T_{SMAX}$ to $T_L$ )		1.25°C/sec	1.25°C/sec
Time Maintained Above Liquidous ( $t_L$ )		45 sec to 75 sec	~50 sec
Liquidous Temperature ( $T_L$ )		183°C	217°C
Peak Temperature ( $T_P$ )		215°C +3°C/-3°C	260°C +0°C/-5°C
Time Within +5°C of Actual Peak Temperature ( $t_p$ )		20 sec to 30 sec	20 sec to 30 sec
Ramp-Down Rate		3°C/sec max	3°C/sec max
Time +25°C ( $t_{25°C}$ ) to Peak Temperature		5 min max	5 min max

*\*The reflow profile in Table 8 is recommended for board manufacturing with TDK MEMS microphones. All microphones are also compatible with the J-STD-020 profile*

**Table 8. Recommended Solder Reflow Profile**



### 3. PIN CONFIGURATIONS AND FUNCTION DESCRIPTIONS

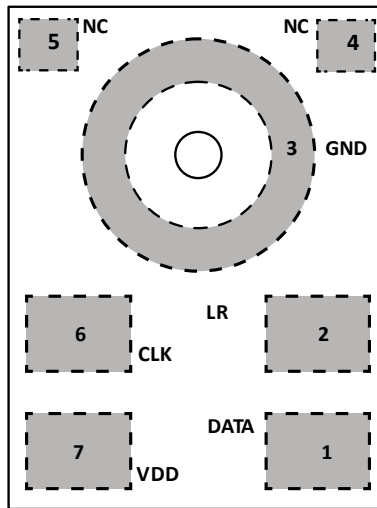


Figure 3. Pin Configuration (Top View, Terminal Side Down)

#### 3.1. PIN FUNCTION DESCRIPTIONS

PIN	NAME	FUNCTION
1	DATA	Digital Output Signal (DATA1 or DATA2)
2	SELECT	Left Channel or Right Channel Select: DATA 1 (right): SELECT tied to GND DATA 2 (left): SELECT tied to VDD. In this setting, SELECT should be tied to the same voltage source as the VDD pin.
3	GND	Ground
4	NC	No Connect Pin, can be floated or connected to Gnd
5	NC	No Connect Pin, can be floated or connected to Gnd
6	CLK	Clock Input to Microphone
7	VDD	Power Supply. For best performance and to avoid potential parasitic artifacts, place a 0.1 $\mu$ F (100 nF) ceramic type X7R capacitor between Pin 7 (VDD) and ground. Place the capacitor as close to Pin 7 as possible.

Table 9. Pin Function Descriptions

**4. TYPICAL PERFORMANCE CHARACTERISTICS**

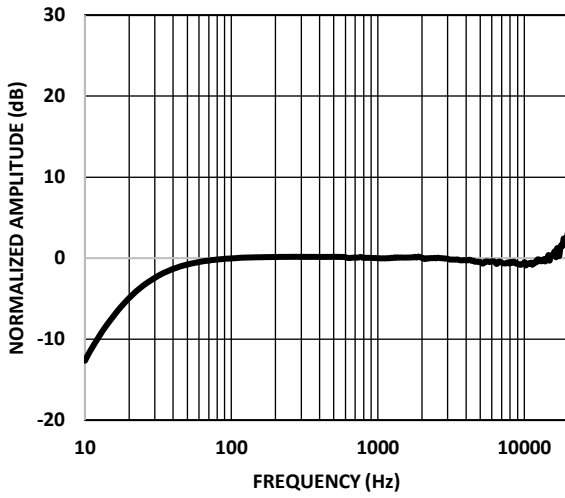


Figure 4. Typical Audio Frequency Response, High Quality Mode

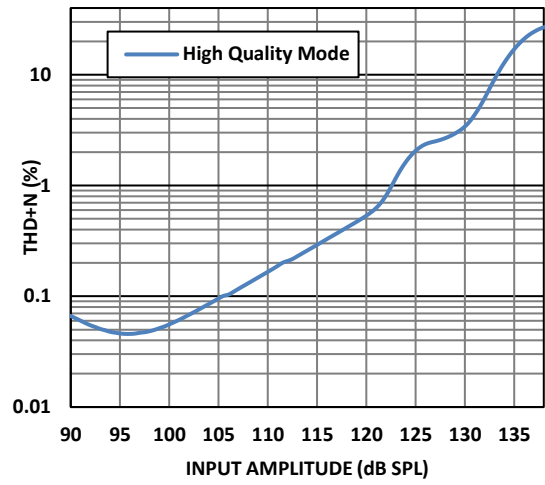


Figure 5. THD + N High Quality Mode

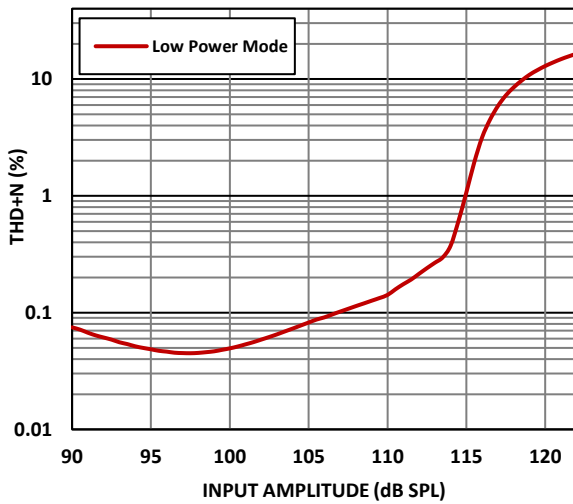


Figure 6. THD + N Low-Power Mode

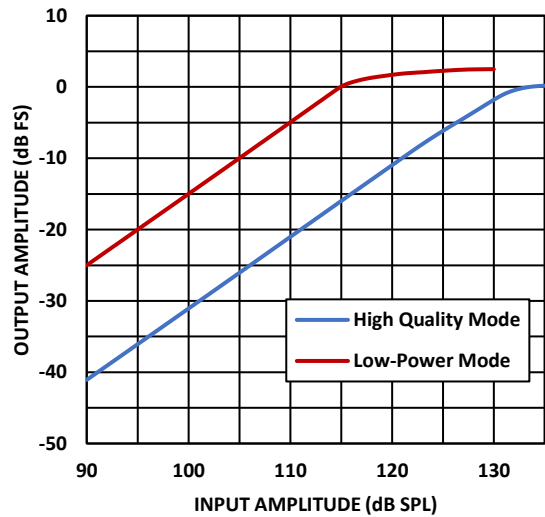
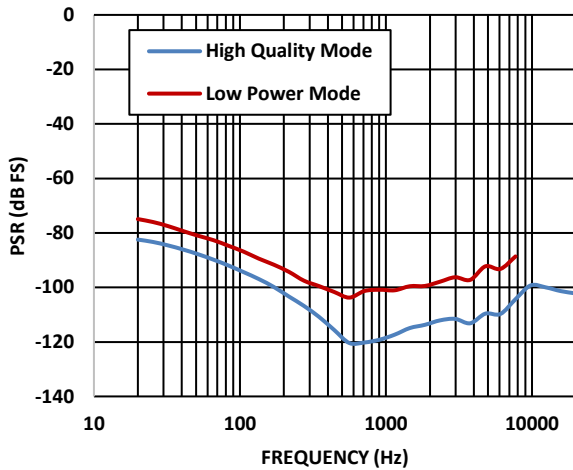
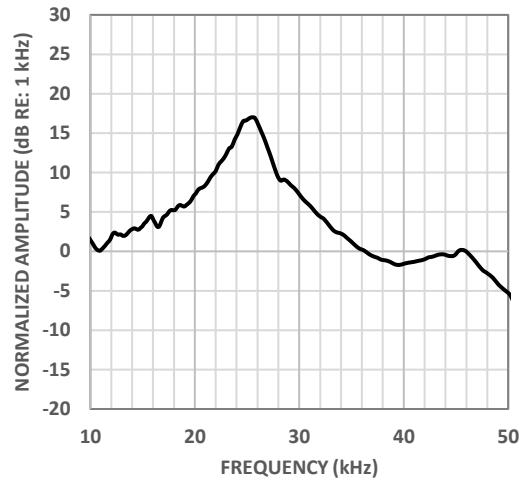


Figure 7. Linearity

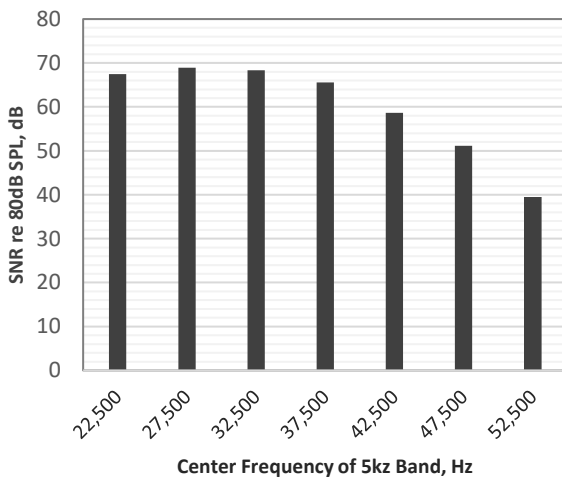


**Figure 8. Power Supply Rejection (PSR) vs. Frequency**

C



**Figure 9. Typical Ultrasonic Frequency Response, Ultrasonic Mode**

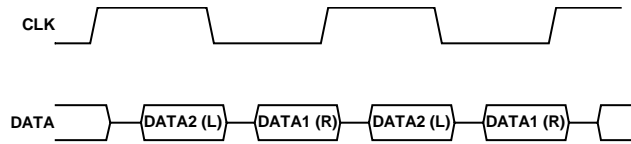


**Figure 10. Typical Ultrasonic SNR, Ultrasonic Mode**

## 5. THEORY OF OPERATION

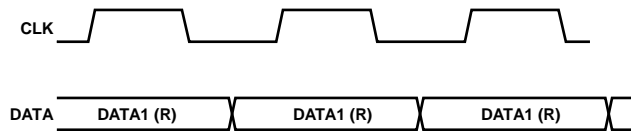
### 5.1. PDM DATA FORMAT

The output from the DATA pin of the T5837 is in pulse density modulated (PDM) format. This data is the 1-bit output of a  $\Sigma$ - $\Delta$  modulator. The data is encoded so that the left channel is clocked on the falling edge of CLK, and the right channel is clocked on the rising edge of CLK. After driving the DATA signal high or low in the appropriate half frame of the CLK signal, the DATA driver of the microphone tristates. In this way, two microphones, one set to the left channel and the other to the right, can drive a single DATA line. See Figure 1 for a timing diagram of the PDM data format; the DATA1 and DATA2 lines shown in this figure are two halves of the single physical DATA signal. Figure 12 shows a diagram of the two stereo channels sharing a common DATA line.



**Figure 12. Stereo PDM Format**

If only one microphone is connected to the DATA signal, the output is only clocked on a single edge (Figure 13). For example, a left channel microphone is never clocked on the rising edge of CLK. In a single microphone application, each bit of the DATA signal is typically held for the full CLK period until the next transition because the leakage of the DATA line is not enough to discharge the line while the driver is tristated.



**Figure 13. Mono PDM Format**

See Table 10 for the channel assignments according to the logic level on the SELECT pin. The setting on the SELECT pin is sampled at power-up and should not be changed during operation.

**5.2. T5837 CHANNEL SETTING**

SELECT Pin Setting	Channel
Low (tie to GND)	Right (DATA1)
High (tie to VDD)	Left (DATA2)

**Table 10. Channel Setting**

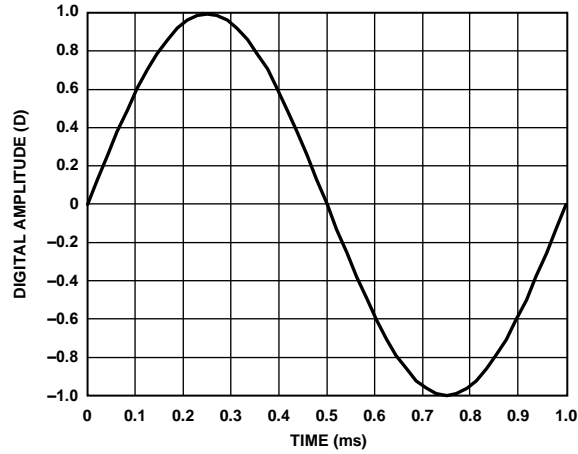
For PDM data, the density of the pulses indicates the signal amplitude. A high density of high pulses indicates a signal near positive full scale, and a high density of low pulses indicates a signal near negative full scale. A perfect zero (dc) audio signal shows an alternating pattern of high and low pulses.

The output PDM data signal has a small dc offset of about 3% of full scale. A high-pass filter in the codec that is connected to the digital microphone and does not affect the performance of the microphone typically removes this dc signal.

**5.3. PDM MICROPHONE SENSITIVITY**

The sensitivity of a PDM output microphone is specified with the unit dB FS (decibels relative to digital full scale). A 0 dB FS sine wave is defined as a signal whose peak just touches the full-scale code of the digital word (see figure 14). This measurement convention also means that signals with a different crest factor may have an RMS level higher than 0 dB FS. For example, a full-scale square wave has an RMS level of 3 dB FS.

This definition of a 0 dB FS signal must be understood when measuring the sensitivity of the T5837. A 1 kHz sine wave at a 94 dB SPL acoustic input to the T5837 results in an output signal with a -21 dB FS level (low-power mode). The output digital word peaks at -21 dB below the digital full-scale level. A common misunderstanding is that the output has an RMS level of -24 dB FS; however, this is not true because of the definition of the 0 dB FS sine wave.



**Figure 14. 1 kHz, 0 dB FS Sine Wave**

There is not a commonly accepted unit of measurement to express the instantaneous level, as opposed to the RMS level of the signal, of a digital signal output from the microphone. Some measurement systems express the instantaneous level of an individual sample in units of D, where 1.0 D is digital full scale. In this case, a -21 dB FS sine wave has peaks at 0.089 D.

## 6. APPLICATIONS INFORMATION

### 6.1. LOW-POWER MODE

Low-Power Mode (LPM) enables the T5837 to be used in an AlwaysOn listening mode for keyword spotting and ambient sound analysis. The T5837 will enter LPM when the frequency of SCK is 768 kHz. In this mode, the microphone consumes only 120  $\mu$ A while retaining high electro-acoustic performance.

When one microphone is in LPM for AlwaysOn listening, a second microphone sharing the same data line may be powered down. In this case, where one microphone is powered up and another is powered down by disabling the VDD supply or in sleep mode by reducing the frequency of a separate clock source, the disabled microphone does not present a load to the signal on the LPM microphone's DATA pin.

### 6.2. DYNAMIC RANGE CONSIDERATIONS

The microphone clips (THD = 10%) at 117dB SPL in Low-Power Mode and at 133 dB SPL in High Quality Mode (see Figure 5); however, it continues to output an increasingly distorted signal above that point. The peak output level, which is controlled by the modulator, limits at 0 dB FS.

To fully use the 107 dB dynamic range of the output data of the T5837 in a design, the digital signal processor (DSP) or codec circuit following it must be chosen carefully. The decimation filter that inputs the PDM signal from the T5837 must have a dynamic range sufficiently better than the dynamic range of the microphone so that the overall noise performance of the system is not degraded. If the decimation filter has a dynamic range of 10 dB better than the microphone, the overall system noise only degrades by 0.4 dB. This 117 dB filter dynamic range requires the filter to have at least 20 bit resolution.

### 6.3. CONNECTING PDM MICROPHONES

A PDM output microphone is typically connected to a codec with a dedicated PDM input. This codec separately decodes the left and right channels and filters the high sample rate modulated data back to the audio frequency band. This codec also generates the clock for the PDM microphones or is synchronous with the source that is generating the clock. Figure 15 and Figure 16 show mono and stereo connections of the T5837 to a codec. The mono connection shows an T5837 set to output data on the right channel. To output on the left channel, tie the SELECT pin to VDD instead of tying it to GND.

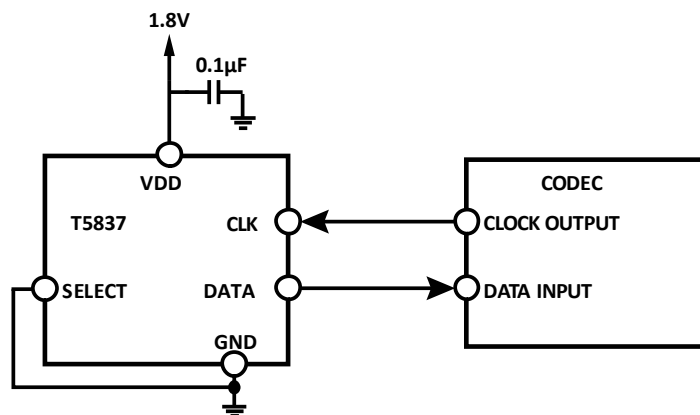


Figure 15. Mono PDM Microphone (Right Channel) Connection to Codec

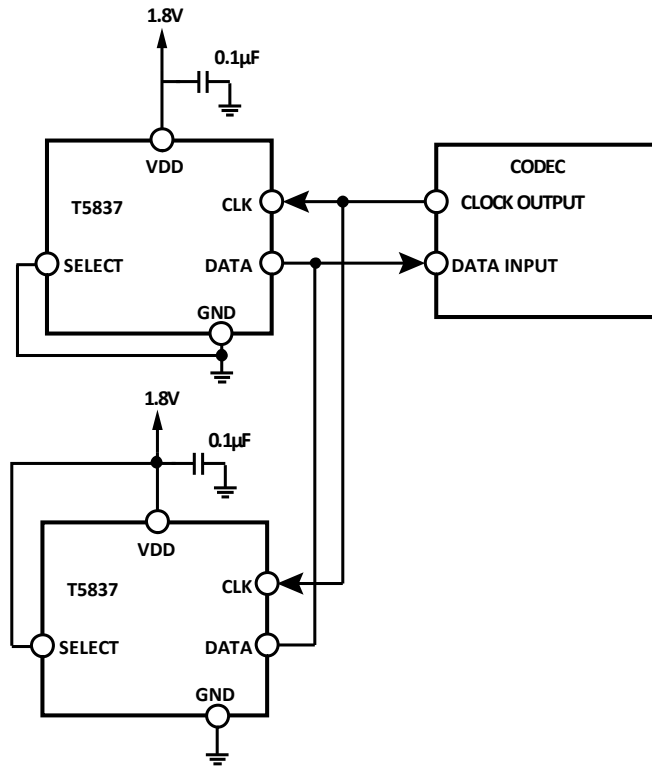
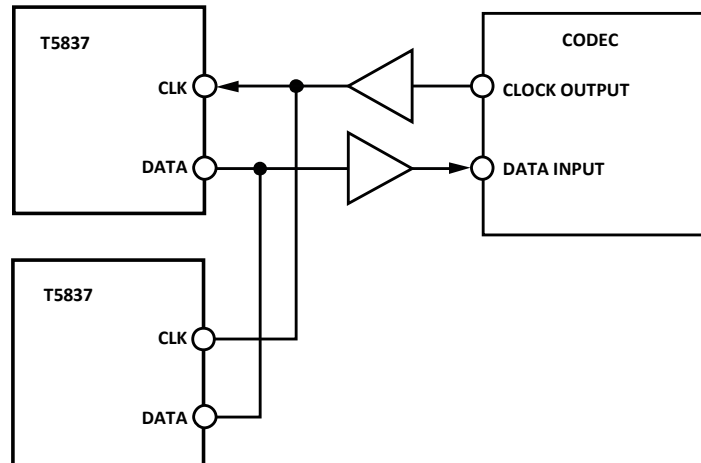


Figure 16. Stereo PDM Microphone Connection to Codec

Decouple the VDD pin of the T5837 to GND with a 0.1 µF capacitor. Place this capacitor as close to VDD as the printed circuit board (PCB) layout allows.

Do not use a pull-up or pull-down resistor on the PDM data signal line because it can pull the signal to an incorrect state during the period that the signal line is tristated.

The DATA signal does not need to be buffered in normal use when the T5837 microphone(s) is placed close to the codec on the PCB. If the DATA signal must be driven over a long cable (>15 cm) or other large capacitive load, a digital buffer may be required. Only use a signal buffer on the DATA line when one microphone is in use or after the point where two microphones are connected (see Figure 17). The DATA output of each microphone in a stereo configuration cannot be individually buffered because the two buffer outputs cannot drive a single signal line. If a buffer is used, take care to select one with low propagation delay so that the timing of the data connected to the codec is not corrupted.



**Figure 17. Buffered Connections Between Stereo T5837s and a Codec**

When long wires are used to connect the codec to the T5837, a source termination resistor can be used on the clock output of the codec instead of a buffer to minimize signal overshoot or ringing. Match the value of this resistor to the characteristic impedance of the CLK trace on the PCB. Depending on the drive capability of the codec clock output, a buffer may still be needed.

#### 6.4. SLEEP MODE

The microphone enters sleep mode when the clock frequency falls below 200 kHz. In this mode, the microphone data output is in a high impedance state. The current consumption in sleep mode is 9  $\mu\text{A}$  with a  $\text{CLK} < 200\text{kHz}$  or 0.8  $\mu\text{A}$  with CLK OFF.

The microphone wakes up from sleep mode and begins to output data 6 ms after the clock becomes active. The wake-up time indicates the time from when the clock is enabled to when the T5837 outputs data within 0.5 dB of its settled sensitivity.

#### 6.5. START-UP TIME

The start-up time of the T5837 is typically 6 ms, measured by the time from when power and clock are enabled until sensitivity of the output signal is within 0.5 dB of its settled sensitivity.



## **7. SUPPORTING DOCUMENTS**

For additional information, see the following documents.

### **7.1. APPLICATION NOTES – GENERAL**

AN-000048, *PDM Digital Output MEMS Microphone Flex Evaluation Board User Guide*

AN-100, *MEMS Microphone Handling and Assembly Guide*

AN-1003, *Recommendations for Mounting and Connecting the TDK, Bottom-Ported MEMS Microphones*

AN-1112, *Microphone Specifications Explained*

AN-1124, *Recommendations for Sealing TDK Bottom-Port MEMS Microphones from Dust and Liquid Ingress*

AN-1140, *Microphone Array Beamforming*

### 8. PCB DESIGN AND LAND PATTERN LAYOUT

The recommended PCB land pattern for the T5837 is a 1:1 ratio of the solder pads on the microphone package, as shown in Figure 18. Avoid applying solder paste to the sound hole in the PCB. A suggested solder paste stencil pattern layout is shown in Figure 19.

The response of the T5837 is not affected by the PCB hole size as long as the hole is not smaller than the sound port of the microphone (0.375 mm in diameter). A 0.5 mm to 1 mm diameter for the hole is recommended. Take care to align the hole in the microphone package with the hole in the PCB. The exact degree of the alignment does not affect the microphone performance as long as the holes are not partially or completely blocked.

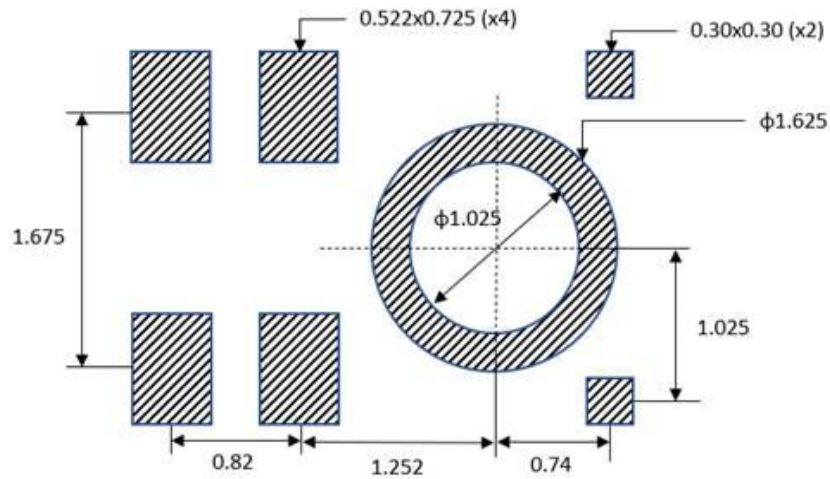


Figure 18. Recommended PCB Land Pattern Layout

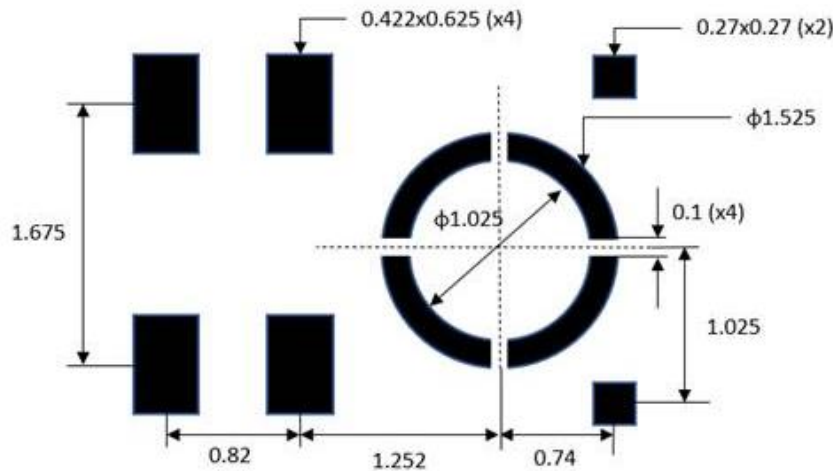


Figure 19. Suggested Solder Paste Stencil Pattern Layout

### **8.1. PCB MATERIAL AND THICKNESS**

The performance of the T5837 is not affected by PCB thickness. The T5837 can be mounted on either a rigid or flexible PCB. A flexible PCB with the microphone can be attached directly to the device housing with an adhesive layer. This mounting method offers a reliable seal around the sound port while providing the shortest acoustic path for good sound quality.

## **9. HANDLING INSTRUCTIONS**

### **9.1. PICK AND PLACE EQUIPMENT**

The MEMS microphone can be handled using standard pick-and-place and chip shooting equipment. Take care to avoid damage to the MEMS microphone structure as follows:

- Use a standard pickup tool to handle the microphone. Because the microphone hole is on the bottom of the package, the pickup tool can make contact with any part of the lid surface.
- Do not pick up the microphone with a vacuum tool that makes contact with the bottom side of the microphone.  
Do not pull air out of or blow air into the microphone port.
- Do not use excessive force to place the microphone on the PCB.

### **9.2. REFLOW SOLDER**

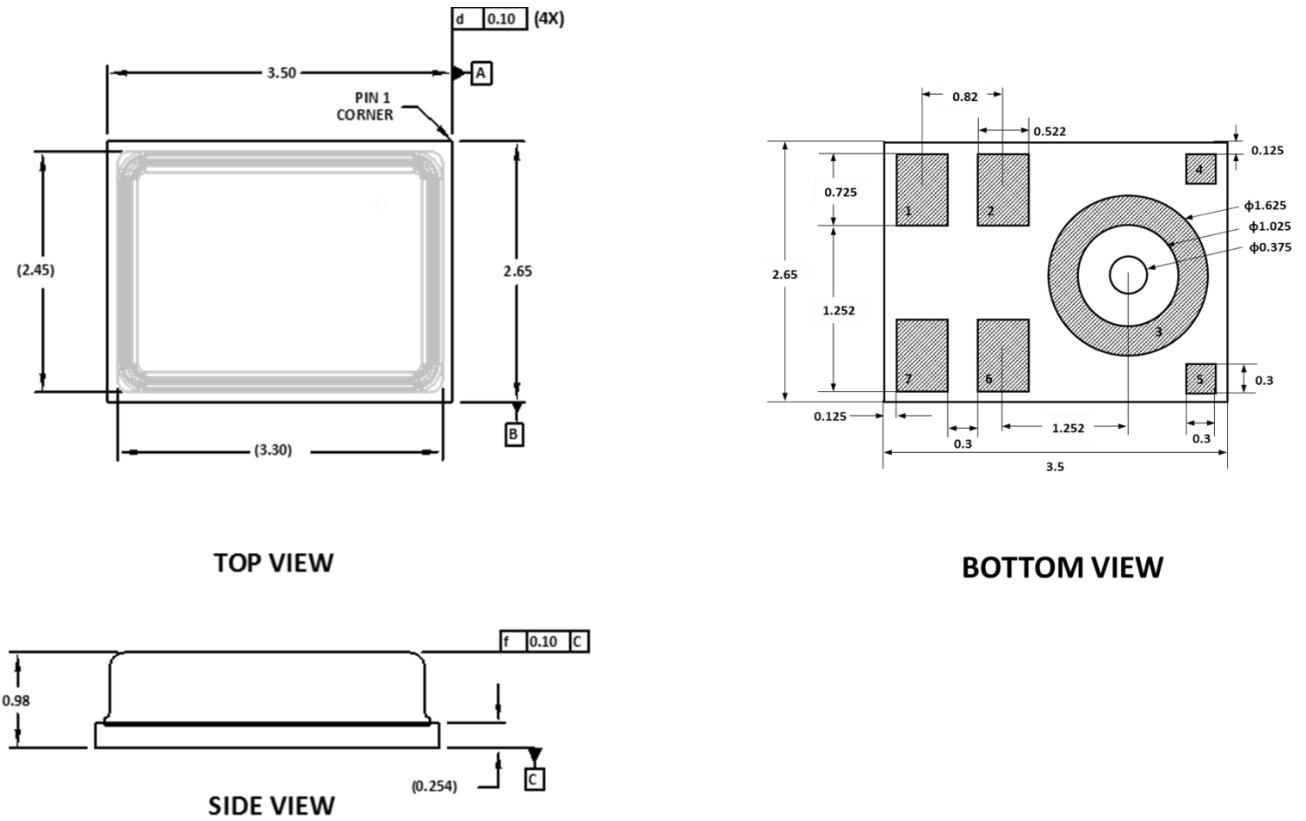
For best results, the soldering profile must be in accordance with the recommendations of the manufacturer of the solder paste used to attach the MEMS microphone to the PCB. It is recommended that the solder reflow profile not exceed the limit conditions specified in Figure 2 and Table 8.

T5837 devices have MSL (Moisture Sensitivity Level) rating 3, appropriate JEDEC J-STD-020 guidelines should be followed to avoid damaging the part.

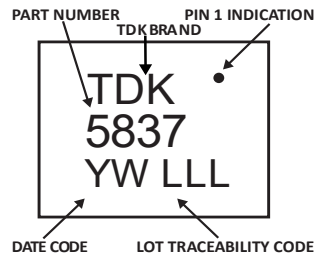
### **9.3. BOARD WASH**

When washing the PCB, ensure that water does not make contact with the microphone port. Do not use blow-off procedures or ultrasonic cleaning.

**10. OUTLINE DIMENSIONS**



**Figure 20. 5-Terminal Chip Array Small Outline No Lead Cavity [LGA\_CAV]  
 3.5 mm × 2.65 mm × 0.98 mm Body  
 Dimensions shown in millimeters  
 Dimension tolerance is ±0.15 mm unless otherwise specified**



**Figure 21. Package Marking Specification (Top View)**

**10.1. ORDERING GUIDE**

PART	TEMP RANGE	PACKAGE	QUANTITY	PACKAGING
MMICT5837-00-012	-40°C to +85°C	5-Terminal LGA_CAV	10,000	13" Tape and Reel
EV_T5837-FX2	-	Flex Evaluation Board	-	