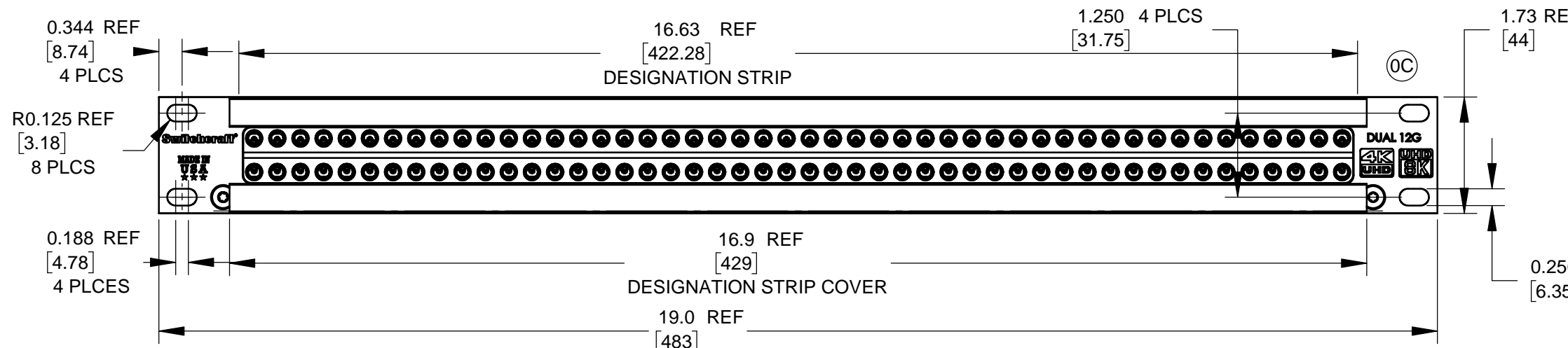
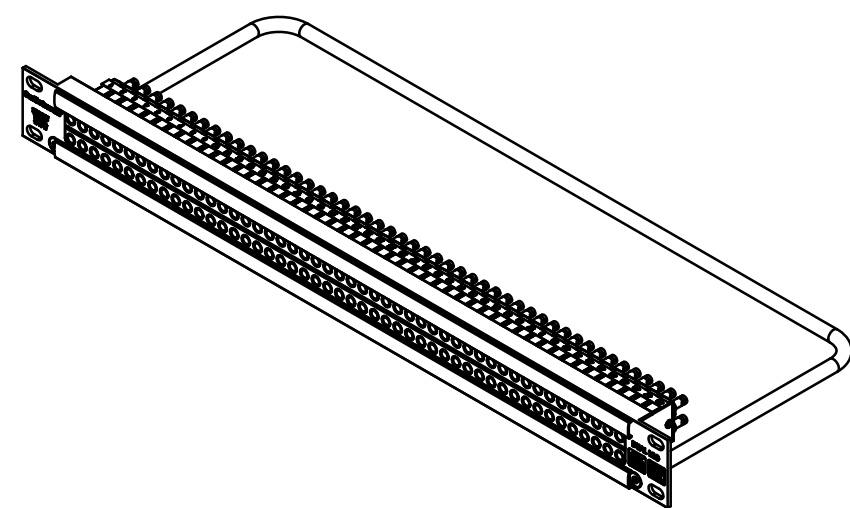


PRELIMINARY

- NOTES:
- SPECIFICATIONS:
 - ELECTRICAL:
 - MEETS SMPTE 2082-1
 - CHARACTERISTIC IMPEDANCE: 75 OHMS
 - CONTACT RESISTANCE: LESS THAN 50 MILLIOHMS
 - INTERFACE:
 - MATING PLUG: 0.175 OUTSIDE DIAMETER
 - CENTER CONDUCTOR: ACCEPTS 0.029 PIN DIAMETER
 - MECHANICAL:
 - VIBRATION: PER MIL - STD 202, METHOD 201
 - INSERTION FORCE: 9 LBS MAX.
 - WITHDRAWAL FORCE: 2 LBS MIN.
 - LIFE CYCLE: 20,000 TYP.
 - TEMPERATURE
 - OPERATING: -40 °C TO 65 °C
 - STORAGE: -40 °C TO 65 °C
 - THERMAL SHOCK: PER MIL-STD- 202, METHOD 107
 - MOISTURE AND HUMIDITY: PER MIL-STD- 202, METHOD 106
 - SALT SPRAY: PER MIL-STD- 202, METHOD 101



- USE UHDMBNC STYLE 12 GHz CABLE CONNECTORS AND VMMPUHD PATCHCORDS OR VMMLPUHD LOOPING PLUGS TO MEET SMPTE 2082-1.
- THIS PRODUCT IS RoHS COMPLIANT.



CUSTOMER DRAWING

PART NUMBER	DESCRIPTION	REVISION
MMVPMB48K175T	NORMAL-TERMINATED	0C
MMVPMB48K1NNT	NON-NORMAL-NON-TERMINATED	0C

REV	ECO NUMBER	DATE	BY	APVD
0C	CORRECT VIEW & LASER ETCH	12-13-19	SRC	SRC
0B	UPDATE	11-22-19	SRC	SRC

REVISIONS

☆ STAR SYMBOL DENOTES CRITICAL DIMENSION

UNLESS OTHERWISE SPECIFIED

- ALL DIMENSIONS IN INCHES
 - TWO PLACE DECIMALS ±0.01
 - THREE PLACE DECIMALS ±0.005
 - ANGLES ±1°
 - ALL DIA. CONCENTRIC WITHIN 0.005 T.I.R.
- FEATURES ON THE SAME CENTERLINE MUST BE ALIGNED WITHIN ±0.002
- REMOVE ALL BURRS

DO NOT SCALE DRAWING

SIZE	WIDTH	MULT	LBS/M	TEMPER
FINISH	MATERIAL			*
SPEC No.	SPEC No.			*
FIRST USED ON	SCALE 1:2		Switchcraft®	
DATE DRAWN	BY	CHKD	APVD	
5-6-19	SRC	5-6-19 SRC	*	
NAME		MICRO-MICROBNC-REAR PATCHBAYS		PART No. MMVPMB481K_SERIES
				REV 0C

THIS DRAWING DESCRIBES A DESIGN CONSIDERED PROPRIETARY IN NATURE, DEVELOPED AND MANUFACTURED BY SWITCHCRAFT INC. AND IS RELEASED ON A CONFIDENTIAL BASIS FOR IDENTIFICATION PURPOSES ONLY.