

Cellular Gateways

General Description

Don't have an existing network connection where you need it most? ALTA Cellular Gateways allow your Monnit Wireless Sensors to communicate with the iMonnit Online Wireless Sensor Monitoring and Notification System via cellular transmission. They are the perfect solution for remote locations, or where an existing internet connection is not an option.

The ALTA Cellular Gateways are based on the latest Dual-band CDMA or 3G wireless protocols and come integrated with Monnit's wireless access point network (WAN) for use with all Monnit wireless sensors.

The ALTA Cellular Gateway is an advanced all wireless M2M gateway that enables fast time-to-market solutions for a wide range of M2M and partner applications as well. Monnit's ALTA Cellular Gateway is specifically designed to respond to the increasing market need for global technology that accommodates a variety of vertical M2M application segments and remote wireless sensor management solutions.

Example Applications

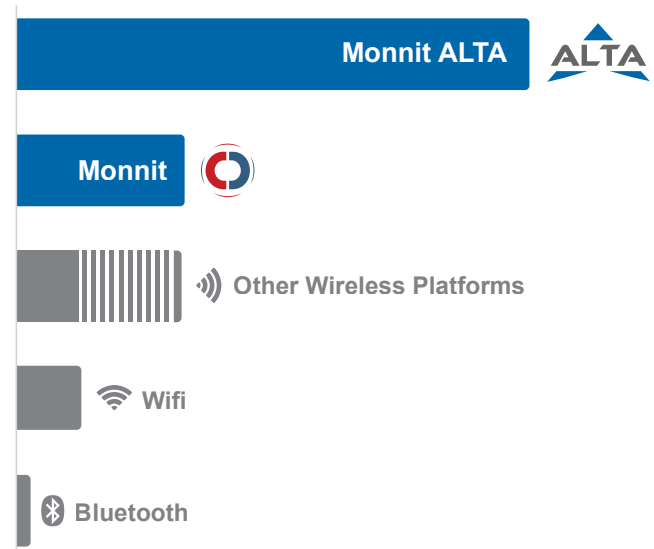
- Remote Location Monitoring
- Shipping and Transportation
- Agricultural Monitoring
- Vacant Property Management
- Vacation Home Property Management
- Construction Site Monitoring
- Data Center Monitoring

ALTA Cellular Gateway Features

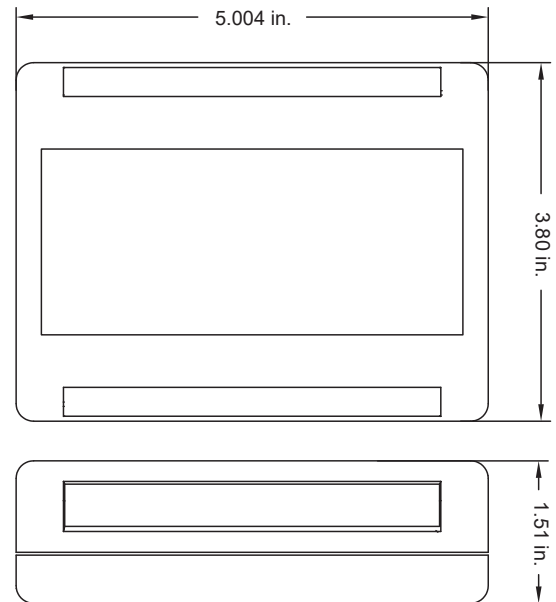
- Wireless range of 1,200+ feet through 12+ walls *
- Frequency Hopping Spread Spectrum (FHSS)
- Improved interference immunity
- Encrypt-RF® Security (Diffie-Hellman Key Exchange + AES-128 CBC for sensor data messages)
- 50,000 sensor message memory
- Over the air updates (future proof)
- True plug & play, no hassles for internet configuration set-up
- No PC required for operation
- Low-cost cellular service packages
- Local status LEDs with transmission and online status indicators
- AC power supply
- Optional 24 hour battery backup in event of power outage

* Actual range may vary depending on environment.

Wireless Range Comparison



ALTA CDMA Cellular Gateways



ALTA CDMA Cellular Gateway Specifications

Cellular

| | |
|--------------------|--|
| Carriers Supported | Verizon Wireless, Sprint Wireless, U.S. Cellular |
| CDMA | Dual Band CDMA Frequency Range: 800 / 1900 MHz |
| Antenna | Articulating Dipole, Connector: SMA, Gain (dBi): 1.5 |

Power

| | |
|-------------------------|--|
| Input Power | 5.5 VDC @ 900 mA |
| Optional Battery Backup | Battery Type: Rechargeable Lithium Polymer |
| | Battery Duration: Up to 24 hours |
| | Battery Cycle Life: 500 times |

Mechanical

| | |
|----------------|--|
| LEDs | Cellular Status LED, Online Status LED, Sensor Network Status LED |
| Device Memory: | 50,000 sensor messages (Sensor messages will be stored in the event of Internet outage and transferred when connection is restored) |


Enclosure

| | |
|------------|------------------------|
| | ABS |
| Dimensions | 5.004 x 3.8 x 1.51 in. |
| Weight | 7 ounces |

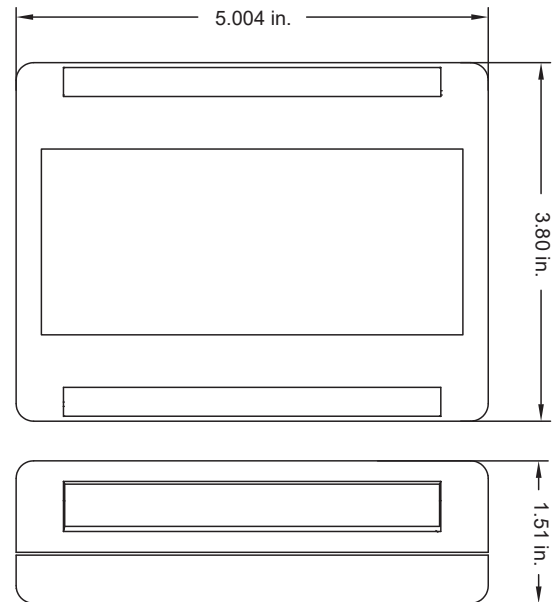
Environmental

| | |
|-----------------------|----------------------------|
| Operating Temperature | -10 to +45°C (14 to 113°F) |
| Storage Temperature | -20 to +60°C (-4 to 140°F) |

Wireless

| | | |
|----------------|---|---|
| Wireless Range | 1,000+ ft. non-line-of-sight | |
| Security | Encrypt-RF™ (256-bit key exchange and AES-128 CTR) | |
| Certifications |  | |
| | Verizon Sprint / U.S. Cellular | FCC: ZTL- G2SC1, FCC: MIVCNN0301 FCC: ZTL- G2SC1, FCC: RI7CE910-DUAL |

ALTA 3G Cellular Gateways



ALTA 3G Cellular Gateway Specifications

Cellular

| | |
|------------------------|--|
| Cellular Technology | UMTS Frequency Range: 850 / 1700 / 1900 MHz |
| Antenna | Connector: RP-SMA Gain (dBi): 1.5 |
| SIM Card Compatibility | Mini-SIM (2FF) 25 mm x 15 mm x 0.76 mm |

Power

| | |
|-------------------------|--|
| Input Power | 5.5 VDC @ 2.5 A |
| Optional Battery Backup | Battery Type: Rechargeable Lithium Polymer |
| | Battery Duration: Up to 24 hours |
| | Battery Cycle Life: 500 times |

Mechanical

| | |
|----------------|--|
| LEDs | Cellular Status LED, Online Status LED, Sensor Network Status LED |
| Device Memory: | 50,000 sensor messages (Sensor messages will be stored in the event of Internet outage and transferred when connection is restored) |


Enclosure

| | |
|------------|------------------------|
| Dimensions | 5.004 x 3.8 x 1.51 in. |
| Weight | 7 ounces |

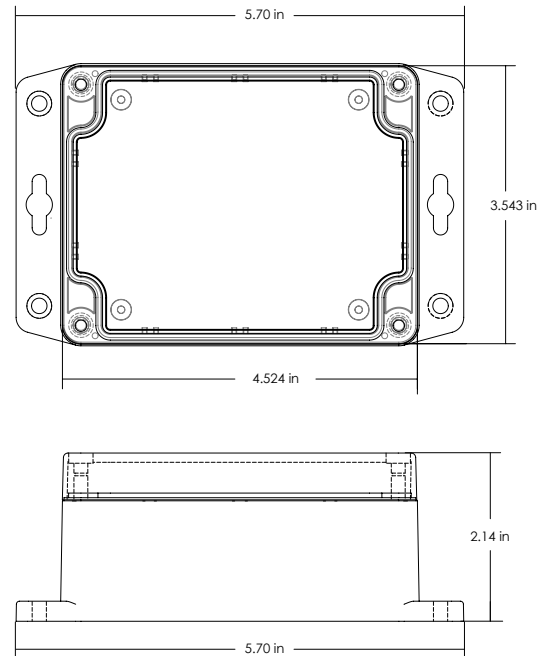
Environmental

| | |
|-----------------------|----------------------------|
| Operating Temperature | -10 to +45°C (14 to 113°F) |
| Storage Temperature | -20 to +60°C (-4 to 140°F) |

Wireless

| | |
|----------------|--|
| Wireless Range | 1,000+ ft. non-line-of-sight |
| Security | Encrypt-RF™ (256-bit key exchange and AES-128 CTR) |
| Certifications |  FCC: ZTL- G2SC1, FCC: RI7HE910 IC: 9794A-G2SC1 and IC: 5131A-HE910 |

ALTA Industrial CDMA Cellular Gateways



ALTA Industrial CDMA Cellular Gateway Specifications

Cellular

| | |
|--------------------|--|
| Carriers Supported | Verizon Wireless, Sprint Wireless, U.S. Cellular |
| CDMA | Dual Band CDMA Frequency Range: 800 / 1900 MHz |
| Antenna | Articulating Dipole, Connector: SMA, Gain (dBi): 1.5 |

Power

| | |
|-------------|--|
| Input Power | 5.5 VDC @ 900 mA (rated for outdoor use) |
|-------------|--|

Mechanical

| | |
|------------------|--|
| LEDs | Cellular Status LED, Online Status LED, Sensor Network Status LED |
| Device Memory: | 50,000 sensor messages (messages will be stored in the event of Internet outage and transferred when connection is restored). |
| Enclosure | NEMA 1, 2, 4, 4x, 12 and 13 rated, sealed and weather proof Monnit's NEMA rated enclosures are constructed for both indoor or outdoor use and protect the enclosed circuitry against the ingress of solid foreign objects like dust as well as the damaging effects of water (rain, sleet, snow, splashing water, and hose directed water). |
| Dimensions | 5.70 x 3.543 x 2.14 in. |
| Weight | 12 ounces |

Environmental

| | |
|-----------------------|----------------------------|
| Operating Temperature | -10 to +45°C (14 to 113°F) |
| Storage Temperature | -20 to +60°C (-4 to 140°F) |

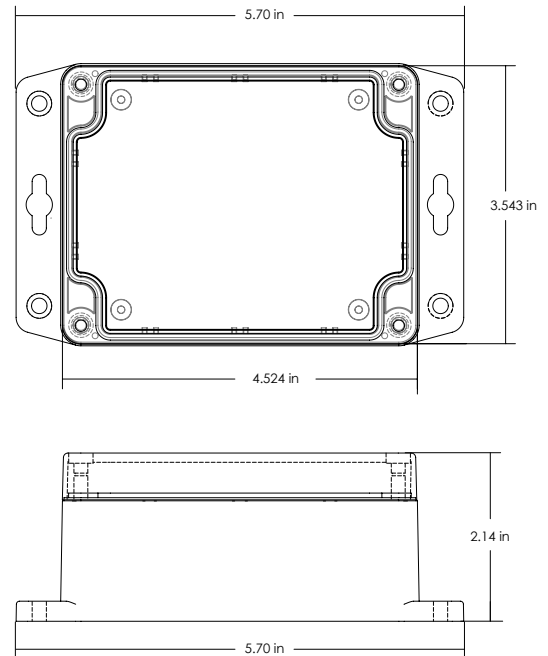
Wireless

| | |
|----------------|--|
| Wireless Range | 1,000+ ft. non-line-of-sight |
| Security | Encrypt-RF™ (256-bit key exchange and AES-128 CTR) |

Certifications

| | | |
|------------------------|-------------------------------------|---|
| | | |
| Verizon | FCC: ZTL- G2SC1, FCC: MIVCNN0301 | IC: 9794A-G2SC1 and IC: 4160a-CNN0301 |
| Sprint / U.S. Cellular | FCC: ZTL- G2SC1, FCC: RI7CE910-DUAL | IC: 9794A-G2SC1 and IC: 5131A-CE910DUAL |

ALTA Industrial 3G Cellular Gateways



ALTA Industrial 3G Cellular Gateway Specifications

Cellular

| | |
|------------------------|--|
| Cellular Technology | UMTS Frequency Range: 850 / 1700 / 1900 MHz |
| Antenna | Connector: RP-SMA Gain (dBi): 1.5 |
| SIM Card Compatibility | Mini-SIM (2FF) 25 mm x 15 mm x 0.76 mm |

Power

| | |
|-------------|---|
| Input Power | 5.5 VDC @ 2.5 A (rated for outdoor use) |
|-------------|---|

Mechanical


| | |
|------------------|--|
| LEDs | Cellular Status LED, Online Status LED, Sensor Network Status LED |
| Device Memory: | 50,000 sensor messages (messages will be stored in the event of Internet outage and transferred when connection is restored). |
| Enclosure | NEMA 1, 2, 4, 4x, 12 and 13 rated, sealed and weather proof Monnit's NEMA rated enclosures are constructed for both indoor or outdoor use and protect the enclosed circuitry against the ingress of solid foreign objects like dust as well as the damaging effects of water (rain, sleet, snow, splashing water, and hose directed water). |
| Dimensions | 5.70 x 3.543 x 2.14 in. |
| Weight | 12 ounces |

Environmental

| | |
|-----------------------|----------------------------|
| Operating Temperature | -10 to +45°C (14 to 113°F) |
| Storage Temperature | -20 to +60°C (-4 to 140°F) |

Wireless

| | |
|----------------|--|
| Wireless Range | 1,000+ ft. non-line-of-sight |
| Security | Encrypt-RF™ (256-bit key exchange and AES-128 CTR) |

| | |
|----------------|---|
| Certifications |  FCC: ZTL- G2SC1, FCC: RI7HE910 IC: 9794A-G2SC1 and IC: 5131A-HE910 |
|----------------|---|