

## ALTA 4G LTE INDUSTRIAL CELLULAR GATEWAY

### General Description

The ALTA Industrial Cellular Gateway (CGW) is an advanced all wireless M2M gateway that enables fast time-to-market solutions for a wide range of M2M applications. The Industrial CGW allows your Monnit Wireless Sensors to communicate with the iMonnit™ Online Wireless Sensor Monitoring and Notification System via cellular transmission. This is the perfect solution for remote industrial locations where there is no existing internet connection and environmental conditions may be wet or dusty.

Monnit's industrial cellular gateways are specifically designed to respond to the increasing market need around the world for global technology that accommodates multiple vertical M2M application segments and solutions for remote wireless sensor management. Monnit cellular gateways are available in CDMA, 4G, 3G or 2G cellular technologies to support a variety of cellular carriers and global locations.

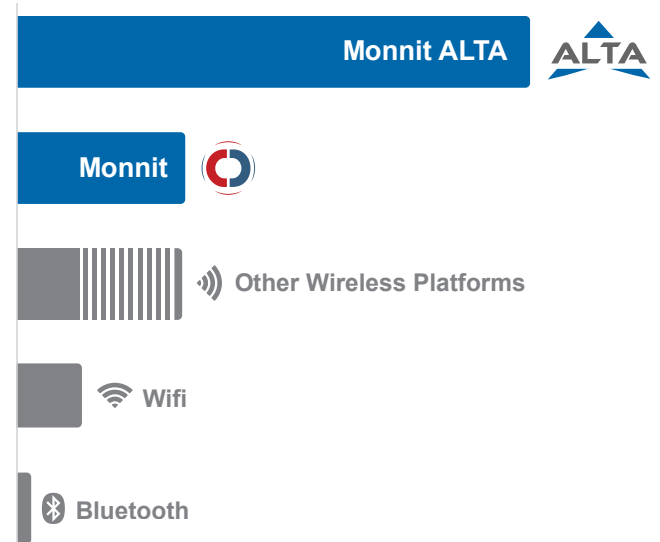
### Example Applications

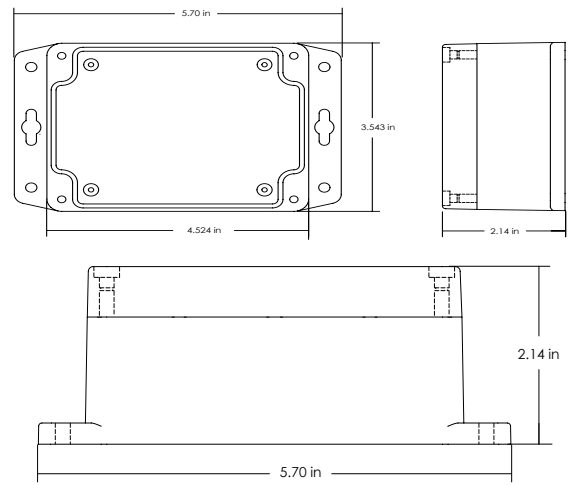
- Remote Location Monitoring
- Shipping and Transportation
- Agricultural Monitoring
- Vacant Property Management
- Vacation Home Property Management
- Construction Site Monitoring
- Data Center Monitoring

### ALTA LTE Cellular Gateway Features

- Wireless range of 1,200+ feet through 12+ walls \*
  - Frequency Hopping Spread Spectrum (FHSS)
  - Improved interference immunity
  - Encrypt-RF® Security (Diffie-Hellman Key Exchange + AES-128 CBC for sensor data messages)
  - Up to 50,000 sensor message memory
  - Over the air updates (future proof)
  - True plug & play, no hassles for internet configuration set-up
  - No PC required for operation
  - Low-cost cellular service packages
  - Local status LEDs with transmission and online status indicators
  - AC power supply
  - 24 hour battery backup in event of power outage
- \* Actual range may vary depending on environment.

### Wireless Range Comparison





## ALTA 4G LTE Industrial Cellular Gateway Specifications

### Models

|          |                  |
|----------|------------------|
| Cellular | MNG2-9-LTE-IN-ND |
|----------|------------------|

### Cellular

|                        |   |
|------------------------|---|
| Cellular Technology    | LTE CAT-M1<br>LTE-only module for global use<br>(AT&T, T-Mobile USA, Telstra, Verizon)<br>Cat M1/NB1 deployed bands 2, 3, 4, 5, 8, 12, 13, 20, 28 |
| SIM Card Compatibility | Micro-SIM (3FF) 15 mm x 12 mm x 0.76 mm   |

### Power

|                |   |
|----------------|---|
| Input Power    | 90-240 VAC @ 0.2A max (15W), 5.9VDC @ 2500mA max  |
| Battery Backup | Battery Type: Rechargeable Lithium Polymer<br>Battery Duration: Up to 24 hours<br>Battery Cycle Life: 500 times<br>Battery Safety: IEC62133 |

### Mechanical

|               |  |
|---------------|--|
| LEDs          | Sensor Data, Server Status, Cellular Status  |
| Device Memory | Up to 50,000 sensor messages<br>(Sensor messages will be stored in the event of Internet outage and transferred when connection is restored) |

### Enclosure

|            |                        |
|------------|------------------------|
| Material   | ABS                    |
| Dimensions | 5.004 x 3.8 x 1.51 in. |
| Weight     | 7 ounces               |


### Environmental

|                       |                            |
|-----------------------|----------------------------|
| Operating Temperature | +5 to +45°C (41 to 113°F)  |
| Storage Temperature   | -20 to +60°C (-4 to 140°F) |

### ALTA Wireless

|                       |  |
|-----------------------|--|
| Transmit Power (EIRP) | 50 mW (900 MHz), 25 mW (868 MHz), 10 mW (433 MHz)  |
| Antenna Type          | Connector: SMA<br>Gain: 4.0 dBi                    |
| Wireless Range        | 1,200+ ft. non-line-of-sight *                     |
| Security              | Encrypt-RF® (256-bit key exchange and AES-128 CBC) |

### Certifications

|   |  |
|---|--|
|  | Safety: IEC 60950-1 and IEC 62368-1; EMC: IEC 55024, IEC 55032, IEC 301489-1, -3, -A, -52, FCC 47 CFR Part 15, subpart B and ICES - 001 Issue 6; RF: 900 MHz product includes model FCC ID: ZTL-G2SC1 / IC: 9794A-G2SC1 and FCCID: XPY2AGQN4NNN / IC: 8595A-2AGQN4NNN; 868 MHz product includes Module G2SC1 (IEC 300 220-1, -2); 433 MHz product includes Module G2SC2 (IEC 300 220-1,-2) |
|---|--|

\* Actual range may vary depending on environment.