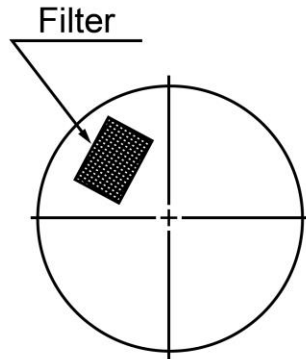
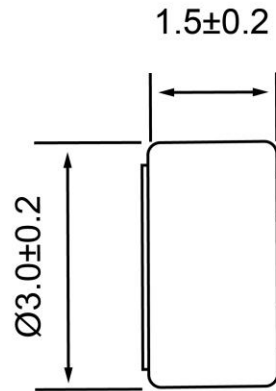


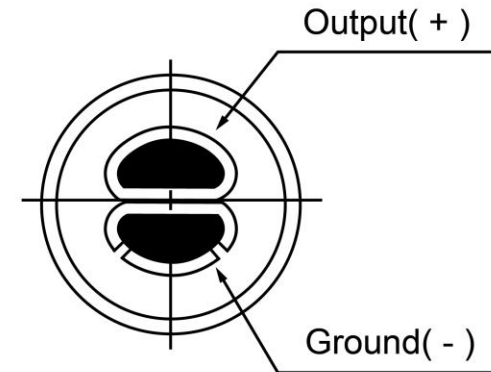
TOP VIEW

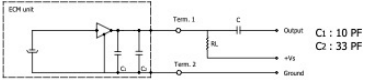



SIDE VIEW



BOTTOM VIEW



| Specifications | | | Notes | Revision History | | | | | |
|--|--------------------|-------|--|------------------|---------------------------|-------------------|----------|--|--|
| Description | Value | Unit | | Version | Description | Date | Approved | | |
| Directivity | Omnidirectional | | 1) All dimensions are in mm unless otherwise noted 2) All parts meet RoHS  | 1 | Released from Engineering | 2/9/2014 | J.S. | | |
| Technology | Electret Condenser | | | | | | | | |
| Sensitivity | - 44 | (dB) | | | | | | | |
| Frequency Range | 100 ~ 10,000 | (Hz) | | | | | | | |
| Rated Voltage | 2 | (V) | | | | | | | |
| Impedance | 2,200 | (Ohm) | | | | | | | |
| Connection Method | Solder Pads | | | | | | | | |
| Voltage Range | 1.0 ~ 10.0 | (V) | | | | | | | |
| Max Rated Current | 0.5 | (mA) | | | | | | | |
| Min. Signal to Noise Ratio | >58 | (dB) | | | | | | | |
| Operating Temperature | -10 ~ +50 | °C | | | | | | | |
| Storage Temperature | -20 ~ +60 | °C | | | | | | | |
|  DB UNLIMITED | | | Electret Condenser Microphone | | | MO034402-1 | | | |
| | | | | | | | | | Drawn by: G.W. Date: 10/31/2013 Checked by: C.E. Date: 1/16/2014 Approved by: J.S. Date: 2/9/2014 |

Additional considerations can be found at www.dbunlimitedco.com/technical-articles.