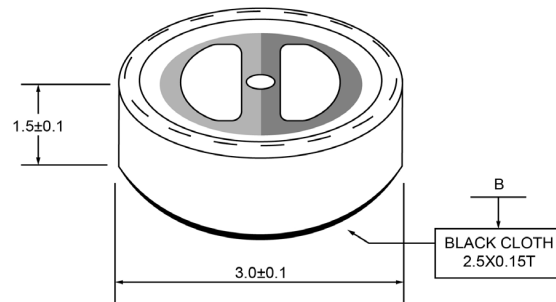
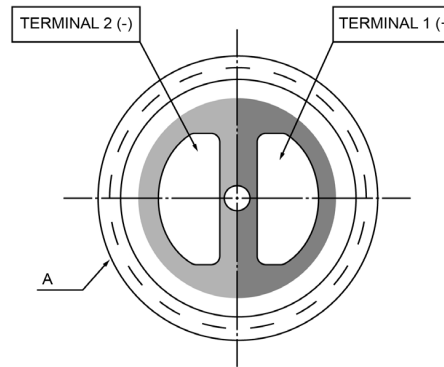



ANGLED VIEW



BOTTOM VIEW



Specifications			Notes	Revision History					
Description	Value	Unit		Version	Description		Date	Approved	
Directivity	Omnidirectional		1) All dimensions are in mm unless otherwise noted 2) All parts meet RoHS  DB UNLIMITED	1	Released from Engineering		10/21/2013	J.S	
Technology	Electret Condenser								
Sensitivity	-44	(dB)							
Frequency Range	40 ~ 20,000	(Hz)							
Rated Voltage	2	(V)							
Output Impedance	2,200	(Ohm)							
Connection Method	Solder Pads								
Voltage Range	1 ~ 10	(V)							
Max Rated Current	0.45	(mA)							
Minimum Signal to Noise Ratio	>60	(dB)							
Operating Temperature	-40 ~ +85	°C							
Storage Temperature	-40 ~ +85	°C							
				Electret Condenser Microphone		MO034402-4			
				Drawn by	Date	Checked by	Date	Approved by	Date
				A.B.	10/21/2013	C.E.	10/21/2013	J.S	10/21/2013

Additional considerations can be found at www.dbunlimitedco.com/technical-articles.