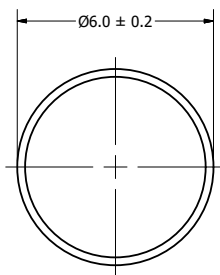
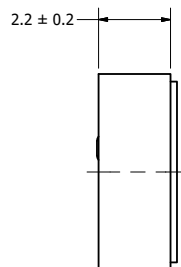


Part Number: MO062504-1	DRAWN CJ	3/8/2018
	CHECKED C.H.	3/15/2018
	APPROVED C.E.	3/15/2018
Description: Electret Condenser Microphone		
This document contains data proprietary to DB Unlimited. Any use or reproduction, in any form, without prior written permission of DB Unlimited is prohibited. All terms and conditions can be found at www.dbunlimitedco.com		

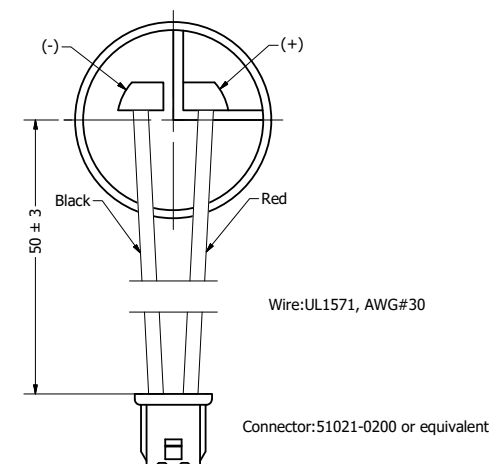
Top View



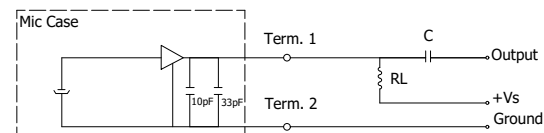
Side View



Bottom View



Schematic



Items	Specifications	Conditions
Directivity	Omnidirectional	
Sensitivity	-25 ± 3	dB
Frequency Range	50 ~ 16,000	Hz
Rated Voltage	4.5	V
Voltage Range	1 ~ 10	V
Output Impedance	2,200	Ω
Max. Rated Current	0.5	mA
Storage Temperature	-25 ~ +70	°C
Operating Temperature	-20 ~ +60	°C
Signal to Noise Ratio	60	dB
Mount Type	Flush Mount	
Connection Method	Connector	

REVISION HISTORY

REV	DESCRIPTION	DATE	APPROVED
	Released from Engineering	10/21/2013	J.S.
1	Updated to new drawing template	3/15/2018	C.E.

NOTES

- 1) All dimensions are in mm unless otherwise noted
- 2) All tolerances are ± 0.5 mm unless otherwise noted
- 3) All parts meet RoHS
- 4) Subject to change or redrawn without notice