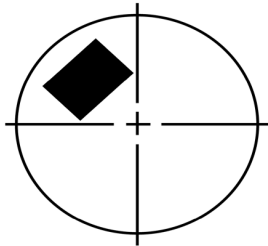
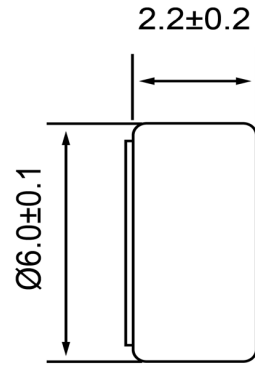


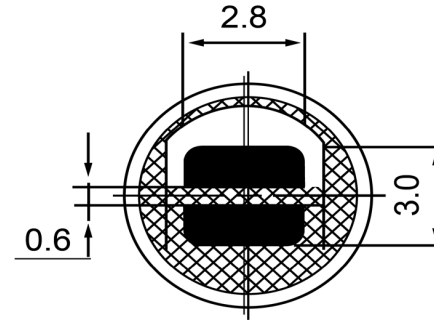
TOP VIEW




SIDE VIEW



BOTTOM VIEW



Specifications			Notes	Revision History							
Description	Value	Unit		Version	Description		Date	Approved			
Directivity	Omnidirectional		1) All dimensions are in mm unless otherwise noted 2) All parts meet RoHS	1	Released from Engineering		10/21/2013	J.S			
Technology	Electret Condenser										
Sensitivity	-40	(dB)									
Frequency Range	50 ~ 16,000	(Hz)									
Rated Voltage	2	(V)									
Output Impedance	2,200	(Ohm)									
Connection Method	Solder Pads										
Voltage Range	1 ~ 10	(V)									
Max Rated Current	0.5	(mA)									
Minimum Signal to Noise Ratio	>60	(dB)									
Operating Temperature	-10 ~ +50	°C									
Storage Temperature	-20 ~ +60	°C									
 <b>DB UNLIMITED</b>				<b>Electret Condenser Microphone</b>			<b>MO064002-1</b>				

Additional considerations can be found at [www.dbunlimitedco.com/technical-articles](http://www.dbunlimitedco.com/technical-articles).