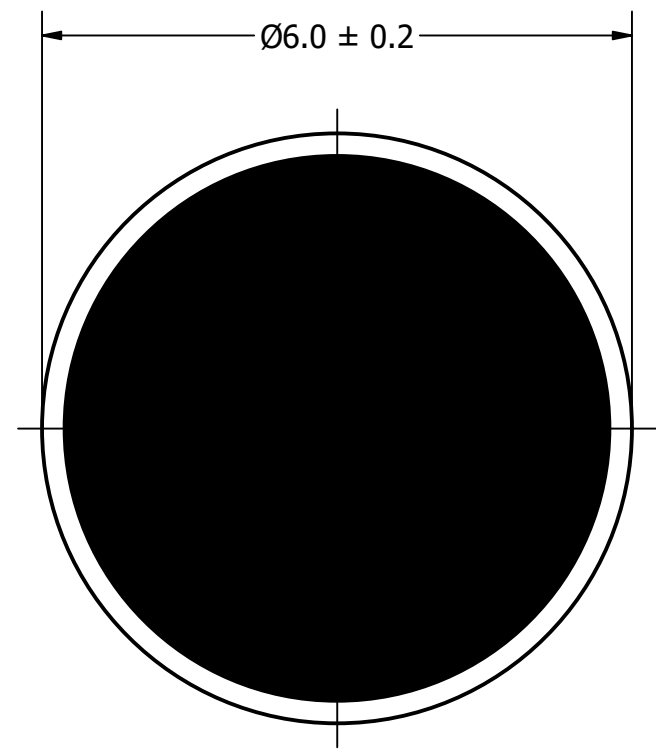
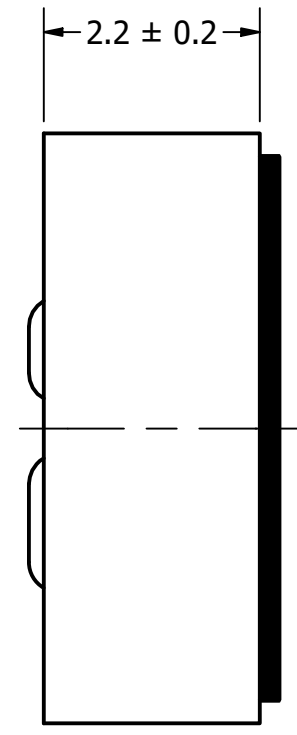


Part Number:	MO064002-2	
	DRAWN CJ	8/17/2020
Description:	Electret Condenser Microphone	
	CHECKED P.D.	8/17/2020
	APPROVED J.S.	8/17/2020
This document contains data proprietary to DB Unlimited. Any use or reproduction, in any form, without prior written permission of DB Unlimited is prohibited. All terms and conditions can be found at <a href="http://www.dbunlimitedco.com">www.dbunlimitedco.com</a>		

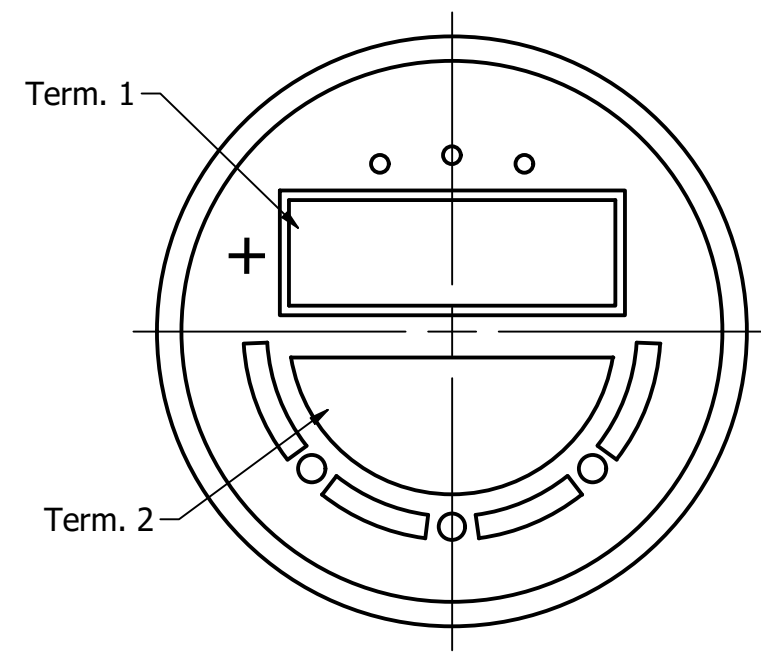
Top View



Side View



Bottom View



Items	Specifications	Conditions	REVISION HISTORY			
Directivity	Omnidirectional		REV	DESCRIPTION	DATE	APPROVED
Sensitivity	-40	dB	1	Released from Engineering	10/21/2013	J.S.
Frequency Range	50 ~ 16,000	Hz		Updated drawing template	8/17/2020	J.S.
Rated Voltage	2	V	NOTES			
Voltage Range	2 ~ 10	V	1) All dimensions are in mm unless otherwise noted			
Output Impedance	2,200	Ω	2) All tolerances are ± 0.5 mm unless otherwise noted			
Max. Rated Current	0.5	mA	3) All parts meet RoHS			
Storage Temperature	-25 ~ +70	°C	4) Subject to change or redrawn without notice			
Operating Temperature	-20 ~ +60	°C				
Signal to Noise Ratio	>60	dB				
Mount Type	Flush Mount					
Connection Method	Solder Pads					