



4D SYSTEMS
TURNING TECHNOLOGY INTO ART

MOTG Modules On The Go Series

DATASHEET

DOCUMENT DATE: 4th May 2021
DOCUMENT REVISION: 1.7

MOTG-WiFi-ESP
MOTG-MP3
MOTG-RS232
MOTG-RS485
MOTG-BLUETOOTH
MOTG-CAN

gen4-MOTG-AC1
gen4-MOTG-AC2
gen4-MOTG-AC3
gen4-MOTG-AC4
MOTG-BREADTOOTH

Uncontrolled Copy when printed or downloaded.
Please refer to the 4D Systems website for the latest
Revision of this document

Table of Contents

| | |
|---|-----------|
| MOTG Introduction | 6 |
| Universal MOTG Interface (UMI) | 6 |
| Pin Description | 6 |
| Board Dimension..... | 7 |
| Hardware Support | 7 |
| MOTG-BREADTOOTH | 7 |
| gen4-MOTG-AC1 | 8 |
| gen4-MOTG-AC2 | 8 |
| gen4-MOTG-AC3 | 8 |
| gen4-MOTG-AC4 | 9 |
| Software Support | 9 |
| 1. MOTG–WiFi-ESP | 10 |
| 1.1. Description | 10 |
| 1.2. Features | 10 |
| 1.3. Before Getting Started | 10 |
| 1.4. Chipset Features | 11 |
| 1.5. Pins, Buttons and Solder Bridges | 11 |
| 1.6. Firmware Programming | 12 |
| 1.7. Mechanical Views | 15 |
| 1.8. Schematic Details REV 1.1..... | 16 |
| 1.9. Schematic Details REV 1.2..... | 17 |
| 1.10. Specifications | 18 |
| 1.11. Hardware Revision History..... | 19 |
| 2. MOTG-MP3 | 20 |
| 2.1. Description | 20 |
| 2.2. Features | 20 |
| 2.3. Before Getting Started | 20 |
| 2.4. Pin and Solder Bridges | 21 |
| 2.5. Serial Commands | 22 |
| 2.6. Media – micro-SD card..... | 25 |
| 2.7. File & Folder Structure | 25 |
| 2.8. Mechanical Views | 26 |
| 2.9. Schematic Details | 27 |
| 2.10. Specifications | 28 |
| 2.11. Hardware Revision History..... | 29 |

| | |
|--------------------------------------|-----------|
| 3. MOTG-RS232 | 30 |
| 3.1. Description | 30 |
| 3.2. Features | 30 |
| 3.3. Before Getting Started | 30 |
| 3.4. Chipset Features | 30 |
| 3.5. Pins and Solder Bridges | 31 |
| 3.6. Mechanical Views | 32 |
| 3.7. Schematic Details | 33 |
| 3.8. Specifications | 34 |
| 3.9. Hardware Revision History..... | 35 |
| 4. MOTG-RS485 | 36 |
| 4.1. Description | 36 |
| 4.2. Features | 36 |
| 4.3. Before Getting Started | 36 |
| 4.4. Chipset Features | 36 |
| 4.5. Pins and Solder Bridges | 37 |
| 4.6. Mechanical Views | 38 |
| 4.7. Schematic Details | 39 |
| 4.8. Specifications | 40 |
| 4.9. Hardware Revision History..... | 41 |
| 5. MOTG-BLUETOOTH | 42 |
| 5.1. Description | 42 |
| 5.2. Features | 42 |
| 5.3. Before Getting Started | 42 |
| 5.4. Chipset Features | 43 |
| 5.5. Pins and Solder Bridges | 43 |
| 5.6. Firmware Programming | 44 |
| 5.7. Mechanical Views | 50 |
| 5.8. Schematic Details | 51 |
| 5.9. Specifications | 52 |
| 5.10. Hardware Revision History..... | 53 |
| 6. MOTG-CAN | 54 |
| 6.1. Description | 54 |
| 6.2. Features | 54 |
| 6.3. Chipset Features | 54 |
| 6.4. Pins and Solder Bridges | 54 |
| 6.5. Limitations with Diablo16 | 55 |
| 6.6. Mechanical Views | 56 |

| | |
|--|-----------|
| 6.7. Schematic Details | 57 |
| 6.8. Specifications | 58 |
| 6.9. Hardware Revision History..... | 59 |
| 7. gen4-MOTG-AC1 | 60 |
| 7.1. Description | 60 |
| 7.2. Hardware Overview | 60 |
| 7.3. Pin Description | 60 |
| 7.4. Accessing pins of MOTG via gen4-PA..... | 61 |
| 7.5. Mechanical Views | 62 |
| 7.6. Schematic Details | 63 |
| 7.7. Hardware Revision History..... | 64 |
| 8. gen4-MOTG-AC2..... | 65 |
| 8.1. Description | 65 |
| 8.2. Hardware Overview | 65 |
| 8.3. Pin Description | 65 |
| 8.4. Communication..... | 66 |
| 8.5. Accessing MOTG pins via gen4-PA | 67 |
| 8.6. Mechanical Views | 68 |
| 8.7. Schematic Details..... | 69 |
| 8.8. Specifications | 70 |
| 8.9. Hardware Revision History..... | 71 |
| 9. gen4-MOTG-AC3..... | 72 |
| 9.1. Description | 72 |
| 9.2. Hardware Overview | 72 |
| 9.3. Pin Description | 72 |
| 9.4. Accessing pins of MOTG via gen4-PA..... | 73 |
| 9.5. Mechanical Views | 74 |
| 9.6. Schematic Details | 75 |
| 9.7. Specifications | 76 |
| 9.8. Hardware Revision History..... | 77 |
| 10. gen4-MOTG-AC4..... | 78 |
| 10.1. Description | 78 |
| 10.2. Hardware Overview | 78 |
| 10.3. Pin Description | 78 |
| 10.4. Communication..... | 79 |
| 10.5. Accessing MOTG pins via gen4-PA | 80 |
| 10.6. Mechanical Views | 81 |
| 10.7. Schematic Details | 82 |

| | |
|--|-----------|
| 10.8. Specifications | 83 |
| 10.9. Hardware Revision History | 84 |
| 11. MOTG-BREADTOOTH..... | 85 |
| 11.1. Description | 85 |
| 11.2. Hardware Overview | 85 |
| 11.3. Pin Description | 85 |
| 11.4. Mechanical Views | 86 |
| 11.5. Schematic Details | 87 |
| 11.6. MOTG-Breadtooth Hardware Revision History..... | 88 |
| 11.7. Datasheet Revision History | 89 |
| 12. Legal Notice | 90 |
| 13. Contact Information | 90 |

MOTG Introduction

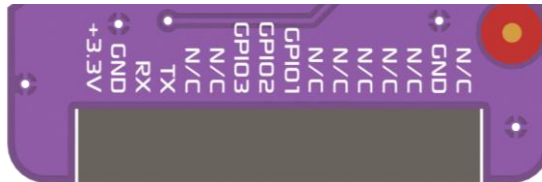
MOTG, Modules on the Go is a concept from 4D Systems revolutionizing embedded design allowing instant and flexible hardware expansion solution.

MOTG modules offer a simple plug and play interface to Universal MOTG BUS (UMI) allowing rapid assembly and maintenance. This removes the hassle of having to solder and end up with a wiring nest. It also allows the designer to easily remove the existing module or add another module instead, which could be very useful during the phase of prototyping.

Importantly, MOTG series was designed with careful consideration for space with its compact and low-profile design.

Universal MOTG Interface (UMI)

Pin Description

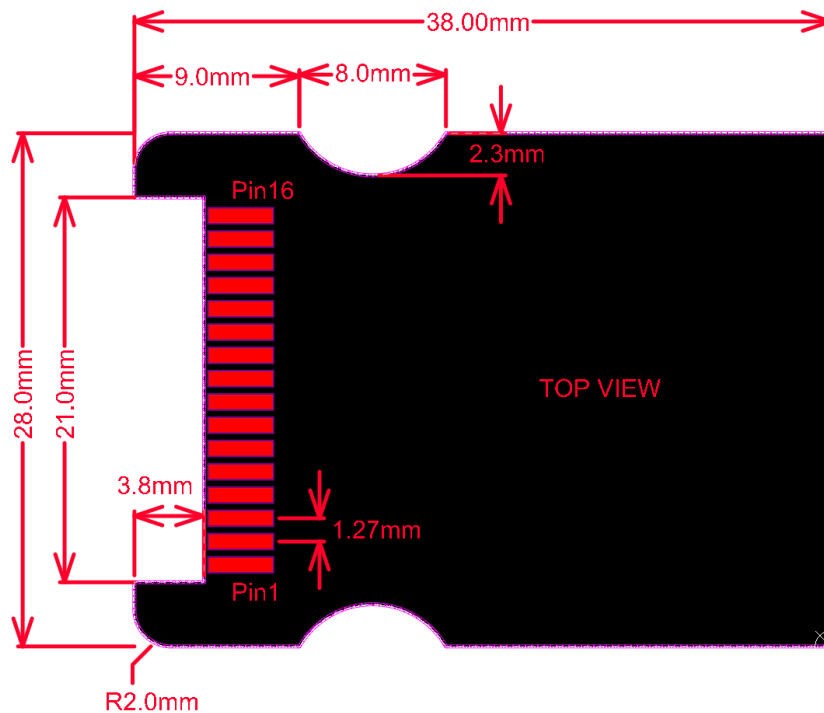


Not all Modules use all Pins – as indicated, some pins marked as N/C (No Connect).

Header possible signals

| PIN | Description |
|-------|----------------------------------|
| 3.3V | 3.3V Input Supply |
| GND | Supply Ground |
| RX | Asynchronous Serial Receive Pin |
| TX | Asynchronous Serial Transmit Pin |
| GPIO5 | General Purpose Input Output Pin |
| GPIO4 | General Purpose Input Output Pin |
| GPIO3 | General Purpose Input Output Pin |
| GPIO2 | General Purpose Input Output Pin |
| GPIO1 | General Purpose Input Output Pin |
| SCL | I ² C Clock Pin |
| SDA | I ² C Data Pin |
| SCK | Clock |
| MISO | Master In Slave Out |
| MOSI | Master Out Slave In |
| GND | Supply Ground |
| 5.0V | 5.0V Input Supply |

Board Dimension



The MOTG boards are designed in such a way that the leading edge (header end) of the MOTG modules is a fixed design, and depending how complex the MOTG module is, will determine how long the board itself is. By default, the standard MOTG module is around 38mm in length, but can be extended longer if required. Note that depending on the target application, longer boards may have mounting challenges.

The headers used are 1.27mm pitch Through Hole headers, which are mounted on their side and surface mounted. Suitable headers are JAWS (www.jaws.com.tw) F4SC38S16GFDA24000V or Palyoo (www.palyoo.com) F334-1116A1BSUX1, other brands may also be suitable with the same specification. These headers are 2.2mm thick at the plastic end, which corresponds well to using a 1.0mm thick PCB once the plating and paste is considered.

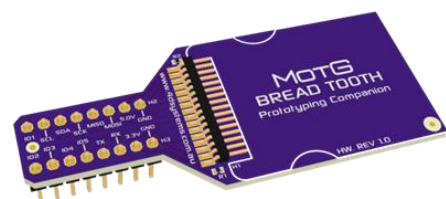
UMI is an open standard – anyone can implement UMI in their hardware design provided the requirements for UMI are met. If you are designing a custom MOTG module and need more information, potential help with supply of parts, or an exported PCB from Altium Designer (or supported export formats), please make contact with us.

Hardware Support

Improving the experience with MOTG modules, 4D Systems provides interface boards enabling easy connectivity to popular host controllers such as gen4 modules, Arduino, Raspberry Pi and Beaglebone Black.

MOTG-BREADTOOTH

The MOTG-BREADTOOTH breaks out the UMI pins of the MOTG. It is compatible with all MOTG modules and is a quick and easy way to make your MOTG module breadboard friendly. The MOTG-BREADTOOTH permits the MOTG to be interfaced to a breadboard for prototyping and for interfacing to virtually any host. For more information, refer to the **MOTG-BREADTOOTH** section of this datasheet.



gen4-MOTG-AC1

The gen4-MOTG-AC1 Interface Board allows easy interface of a MOTG module to Diablo16-based gen4 display modules. The board carries one UMI-compatible MOTG slot which acts as an extension to the display module providing plug-and-play interface with MOTG.

The interface board is designed to sit flush on the back of the Diablo16 2.4" to 3.5" display modules (stuck on the gen4 plastics with double sided adhesive tape) enabling sleek and compact designs. For more information, refer to **gen4-MOTG-AC1** section of this datasheet.



gen4-MOTG-AC2

The gen4-MOTG-AC2 Interface Board allows easy interface of a MOTG module to Diablo16-based gen4 display modules. The board carries two UMI-compatible MOTG slots which act as an extension to the display module providing plug-and-play interface with MOTG.

The interface board is designed to sit flush on the back of the Diablo16 3.2" and 3.5" display modules (stuck on the gen4 plastics with double sided adhesive tape) enabling sleek and compact designs. For more information, refer to **gen4-MOTG-AC2** section of this datasheet.



gen4-MOTG-AC3

The gen4-MOTG-AC3 Interface Board allows easy interface of a MOTG module to Picaso-based gen4 display modules. The board carries one UMI-compatible MOTG slot which acts as an extension to the display module providing plug-and-play interface with MOTG.

The interface board is designed to sit flush on the back of the Picaso 2.4" to 3.2" display modules (stuck on the gen4 plastics with double sided adhesive tape) enabling sleek and compact designs. For more information, refer to **gen4-MOTG-AC3** section of this datasheet.

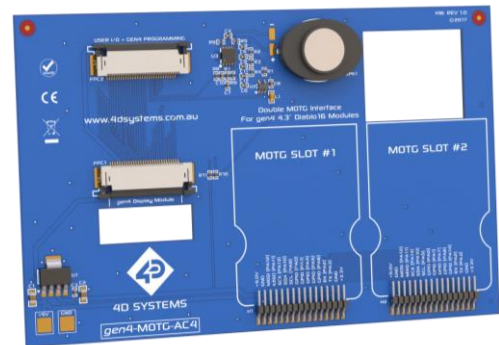


gen4-MOTG-AC4

The gen4-MOTG-AC4 Interface Board allows easy interface of a MOTG module to Diablo16-based gen4 display modules. The board carries two UMI-compatible MOTG slot which acts as an extension to the display module providing plug-and-play interface with MOTG.

The interface board is designed to sit flush on the back of the Diablo16 4.3" display modules (stuck on the gen4 plastics with double sided adhesive tape) enabling sleek and compact designs. For more

information, refer to **gen4-MOTG-AC4** section of this datasheet.



Software Support

4D Systems provides software support allowing designers to get started easily with popular host controller platforms. In addition, projects, application notes and code base examples utilising MOTG modules are available at www.4dsystems.com.au

1. MOTG–WiFi-ESP



1.1. Description

MOTG-WiFi-ESP provides a low-cost solution for all embedded wireless applications. It features an ESP8266 Wi-Fi SoC, a leading platform for Wi-Fi related projects or Internet of Things (IoT).

The MOTG-WiFi-ESP supports APSD for VoIP applications and Bluetooth co-existence interface. It contains a self-calibrated RF allowing it to work under all operating conditions.

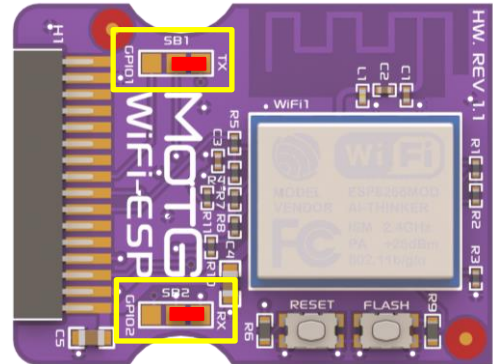
1.2. Features

- ESP8266 Wi-Fi Module by Espressif with
 - 802.11 b/g/n
 - Wi-Fi Direct (P2P), soft-AP
 - TCP/IP protocol stack
 - 1MB Flash
- 3.3V Power supply only
- Supports 2-Wire 3.3V TTL UART interface
- On board Reset and Flash Buttons
- On board PCB trace antenna

1.3. Before Getting Started

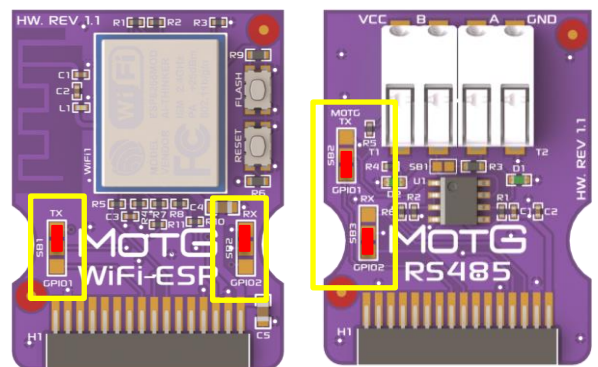
Out of the box, the chipset's UART pins are not connected to the UMI of the MOTG.

MOTG-WiFi-ESP hardware allows the UART pins to be connected to either TX, RX or GPIO1, GPIO2 of the UMI. This is could be achieved by shorting the respective sides of solder bridges SB1 and SB2, using a solder blob and a soldering iron. This must be done by the User.



Unless the designer intends to use two UART MOTGs on a gen4-MOTG-AC2 or gen4-MOTG-AC4 board, the UART pins should be directed to TX, RX of the UMI as shown above.

When two UART MOTGs are being used on a gen4-MOTG-AC2 or gen4-MOTG-AC4 board, the UART pins of one of the MOTGs should be diverted to GPIO1 and GPIO2 of the UMI, as shown below. This prevents both MOTGs from utilising the same pins of the gen4 display module for UART communication.



1.4. Chipset Features

1.4.1 ESP8266 Wi-Fi Module



The ESP8266 Wi-Fi SoC is a leading platform for Wi-Fi related projects or Internet of Things (IoT).

The ESP8266 supports APSD for VoIP applications and Bluetooth co-existence interfaces, it contains a self-calibrated RF allowing it to work under all operating conditions.

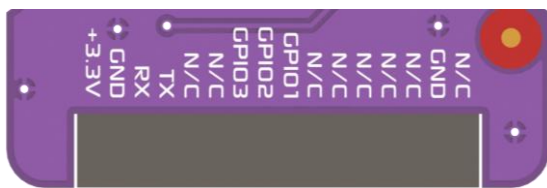
There is an almost limitless fountain of information available for the ESP8266, all of which has been provided by amazing community support.

By default, the MOTG-WiFi-ESP module comes with the AT Command set, so no programming of the WiFi module's firmware is required to get it running.

The datasheet for the ESP8266 is available from the <https://espressif.com> website.

1.5. Pins, Buttons and Solder Bridges

1.5.1 Pin Description



| Pin | Symbol | Description |
|-----|--------|--|
| 1 | 3.3V | 3.3V Input Supply |
| 2 | GND | Supply Ground |
| 3 | RX | Asynchronous Serial Receive Pin |
| 4 | TX | Asynchronous Serial Transmit Pin |
| 5 | N/C | Not Connected |
| 6 | N/C | Not Connected |
| 7 | GPIO3 | Reset pin. An active Low pulse will reset the module |
| 8 | GPIO2 | RX Bypass |
| 9 | GPIO1 | TX Bypass |
| 10 | N/C | Not Connected |
| 11 | N/C | Not Connected |
| 12 | N/C | Not Connected |

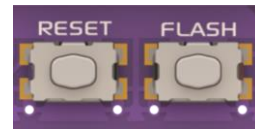
| | | |
|----|-----|---------------|
| 13 | N/C | Not Connected |
| 14 | N/C | Not Connected |
| 15 | GND | Supply Ground |
| 16 | N/C | Not Connected |

Note:

Designer can choose if the UART pins of the MOTG should be connected to either TX, RX or GPIO1, GPIO2 of the UMI. This is could be achieved by shorting the respective sides of solder bridges SB1 and SB2. This is discussed in detail in the **Before Getting Started** section.

1.5.2 Button Description

The MOTG-WiFi-ESP also has two buttons, the functionalities of which are described in the table below.

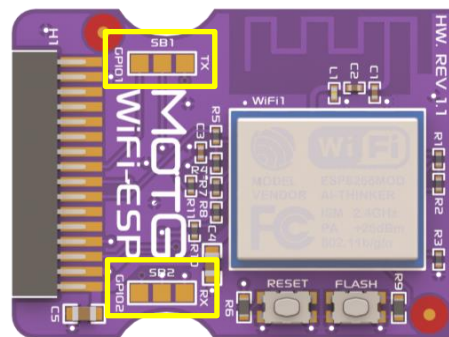


| Button | Description |
|--------|---|
| Reset | Resets the ESP8266 module |
| Flash | Used along with Reset button to update/change firmware on ESP8266 |

The Flash button, when held down and the reset button pressed, puts the ESP8266 WiFi processor into its bootloader mode. This is required when flashing the ESP8266 with an updated or alternative firmware.

1.5.3 Solder Bridge Description

The MOTG-WiFi-ESP also has two solder bridges. The functionality of these solder bridges is described in the table below. These are soldered by the User.



| Solder Bridge | Description |
|---------------|-------------|
| SB1 | TX Selector |
| SB2 | RX Selector |

1.6. Firmware Programming

The MOTG-WiFi-ESP comes preprogrammed with the AT command set firmware. If an updated command set is desired, or if another program is to be loaded on to the ESP8266 instead, then the default AT command set will be lost.

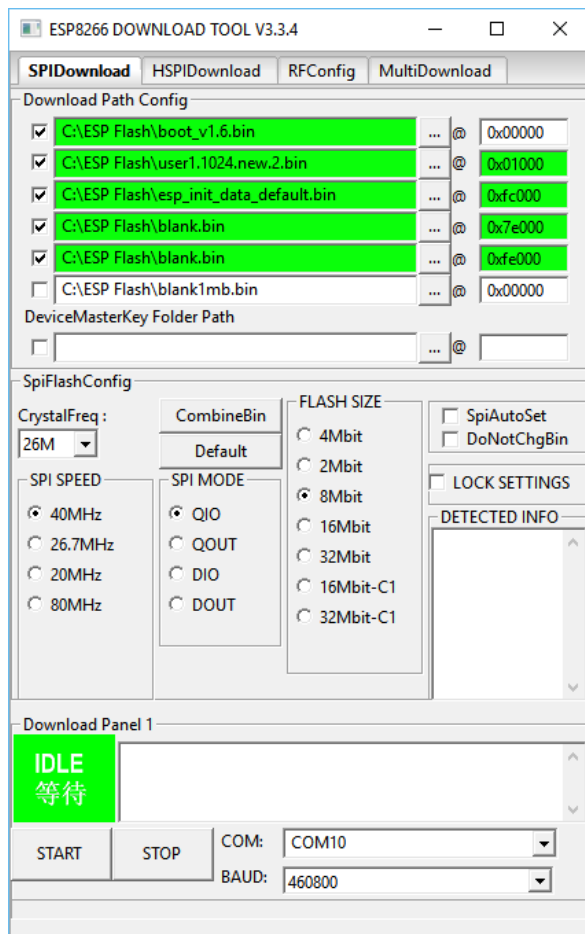
The following procedure outlines on how to reload the ESP8266 with the AT command set.

Please download the AT command set files from the MOTG-WiFi-ESP product page on the 4D Systems website.

Extract the files to a known location on your hard drive that is easy to access.

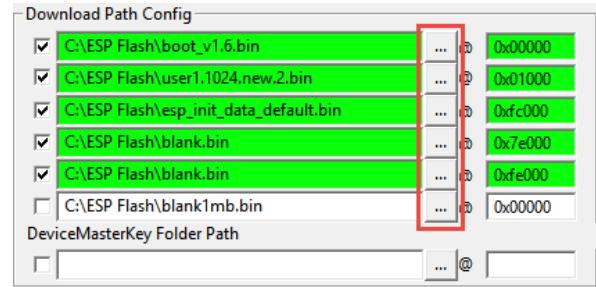
Run the application:
 ESPFlashDownloadTool_v3.6.6.exe

The application window will appear.



It will be noticed there are six different files preloaded into the Download Path Config boxes. These need to be changed to the location where the files were extracted to.

Click the [...] mark and locate the path to the file it is referring to.



The lines will be highlighted if the files are found.

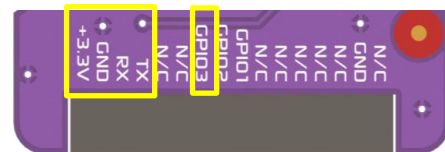
Ensure that the addresses are correct as per the picture and set to the following:

- boot_v1.6.bin – ADDR 0x0000
- user1.1024.new.2.bin – ADDR 0x01000
- esp_init_data_default.bin – ADDR 0xfc000
- blank.bin – ADDR 0x7e000
- blank.bin – ADDR 0xfe000
- blank1mb.bin – ADDR 0x0000

All of these files are located in the root folder, along with the ESPFlashDownloadTool_v3.3.4.exe file.

The following five pins of the MOTG-WiFi-ESP will be used when uploading a firmware. TX, RX sides of the SB1 and SB2 should be shorted for the following procedure.

- +3.3V (not 5V tolerant)
- GND
- RX
- TX
- GPIO3 (Reset)

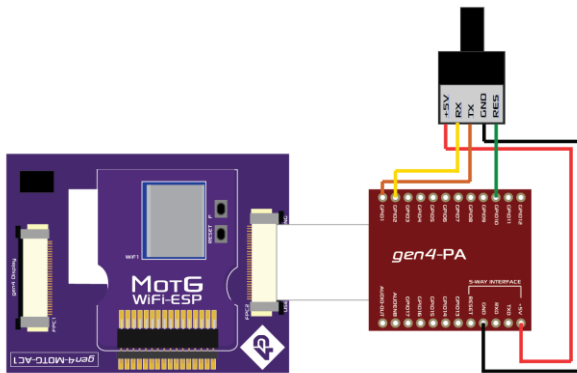


In this case, a gen4-MOTG-AC1 is used to gain access to the above five pins of the MOTG-WiFi-ESP. However, other gen4-MOTG-AC interface boards provided by 4D Systems could be used as well. The gen4-MOTG-AC1 is then interfaced to the gen4-PA, which essentially serves as a breakout board for the UMI pins in this setup.

Note: If you opt to use a MOTG-BREADTOOTH instead of the gen4-MOTG-AC + gen4-PA combo, the 5V supply needs to be dropped to 3.3V externally, as MOTG-BREADTOOTH does not facilitate this internally.

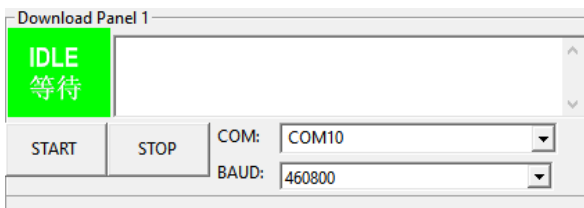
Lastly, a programming module is needed to program the MOTG-WiFi-ESP through the gen4-MOTG-AC + gen4-PA combo. This process does not necessarily require a 4D Systems programming module - the 4D USB programming cable or the uUSB-PA5. However, these are compatible and could be used to perform this procedure.

Carefully slide the MOTG-WiFi-ESP on to the gen4-MOTG-AC. Then connect the gen4-MOTG-AC to the gen4-PA using a 30-way FFC cable. Then connect the 4D programming module to the corresponding pins of the gen4-PA as shown in the image below.



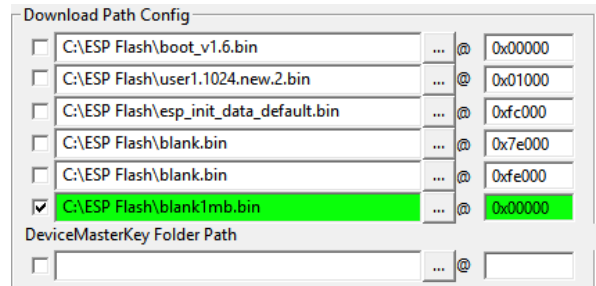
| MOTG-WiFi-ESP | gen4-PA | 4D programming cable |
|---------------|---------|----------------------|
| | +5V | 5V |
| GND | GND | GND |
| RX | GPIO1 | TX |
| TX | GPIO2 | RX |
| GPIO3 (Reset) | GPIO10 | RES |

Then check the com port of the programmer you are using and change it accordingly in the application.

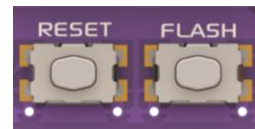


Before anything is programmed, the ESP8266 module needs to be wiped blank. It is always best to do this before programming in any new firmware, as residual data can be left which can cause unexpected results.

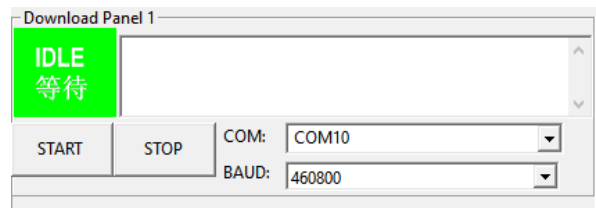
To wipe the ESP8266 blank, untick all the files in the Download Path Config section, except for blank1mb.bin – ADDR 0x0000 (the last file)



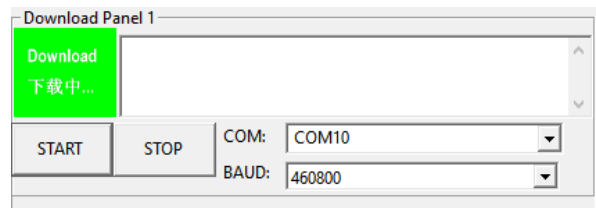
Now the ESP8266 needs to be placed into bootloader mode. To do this, simply press and hold the Flash button on the MOTG-WiFi-ESP, and then press the Reset button for a second, and then finally release the Reset button. Keep holding the Flash button. A second or so later, you can release the Flash button. The ESP8266 should now be in bootloader mode.



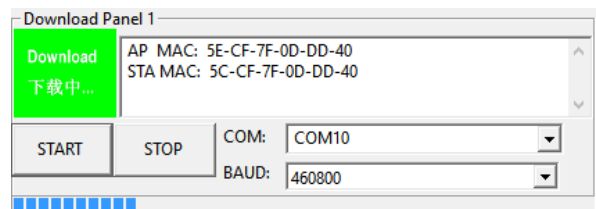
Press the Start Button, to start the programming of the ESP8266 module.



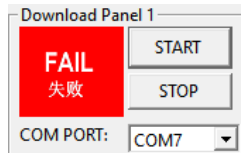
After clicking the START button the application will SYNC as shown below.



Then the application will load and the ESP8266 is wiped blank. It will complete when the progress bar goes to the very right-hand side.

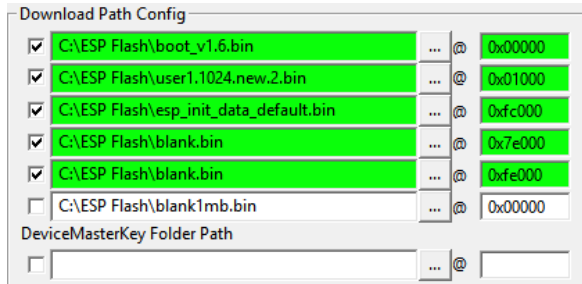


If the initiation was not successful, the loading will fail. If failed, try the procedure again till it loads.



Now the module is ready to be programmed with the firmware. This procedure is almost same as earlier.

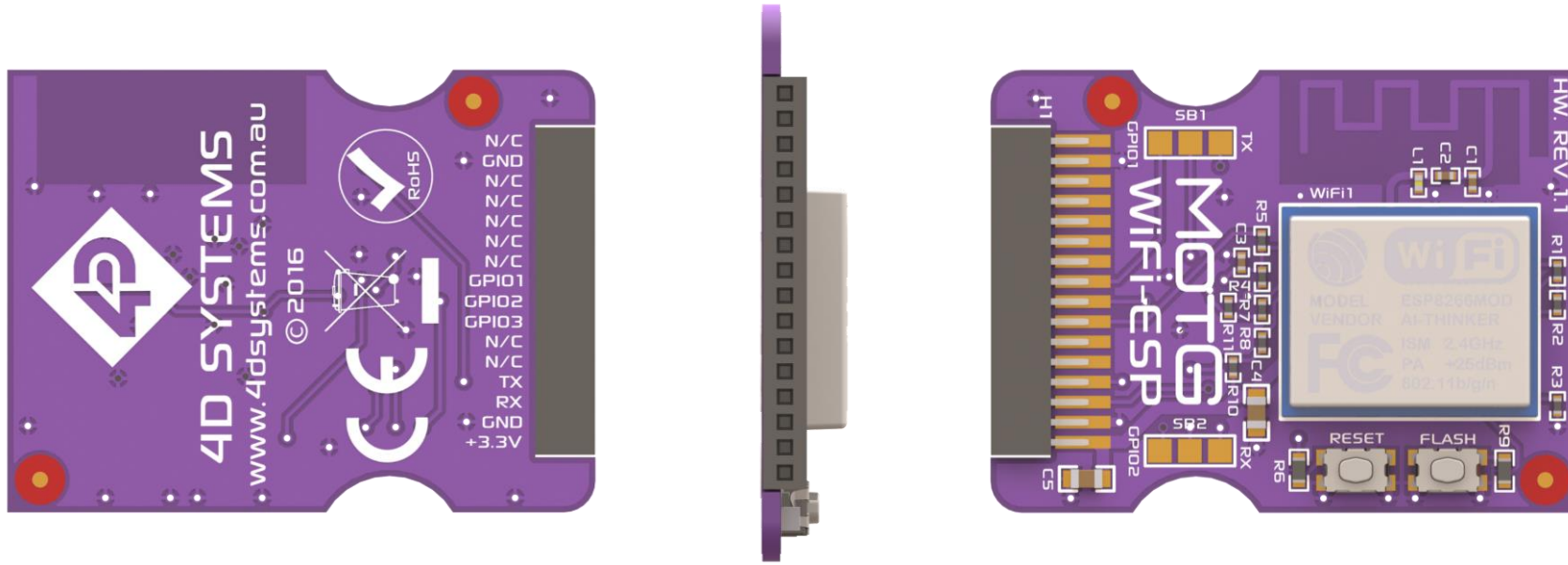
Tick all the files except for blank1mb.bin – **ADDR 0x0000** (the only difference in the procedure compared to before).



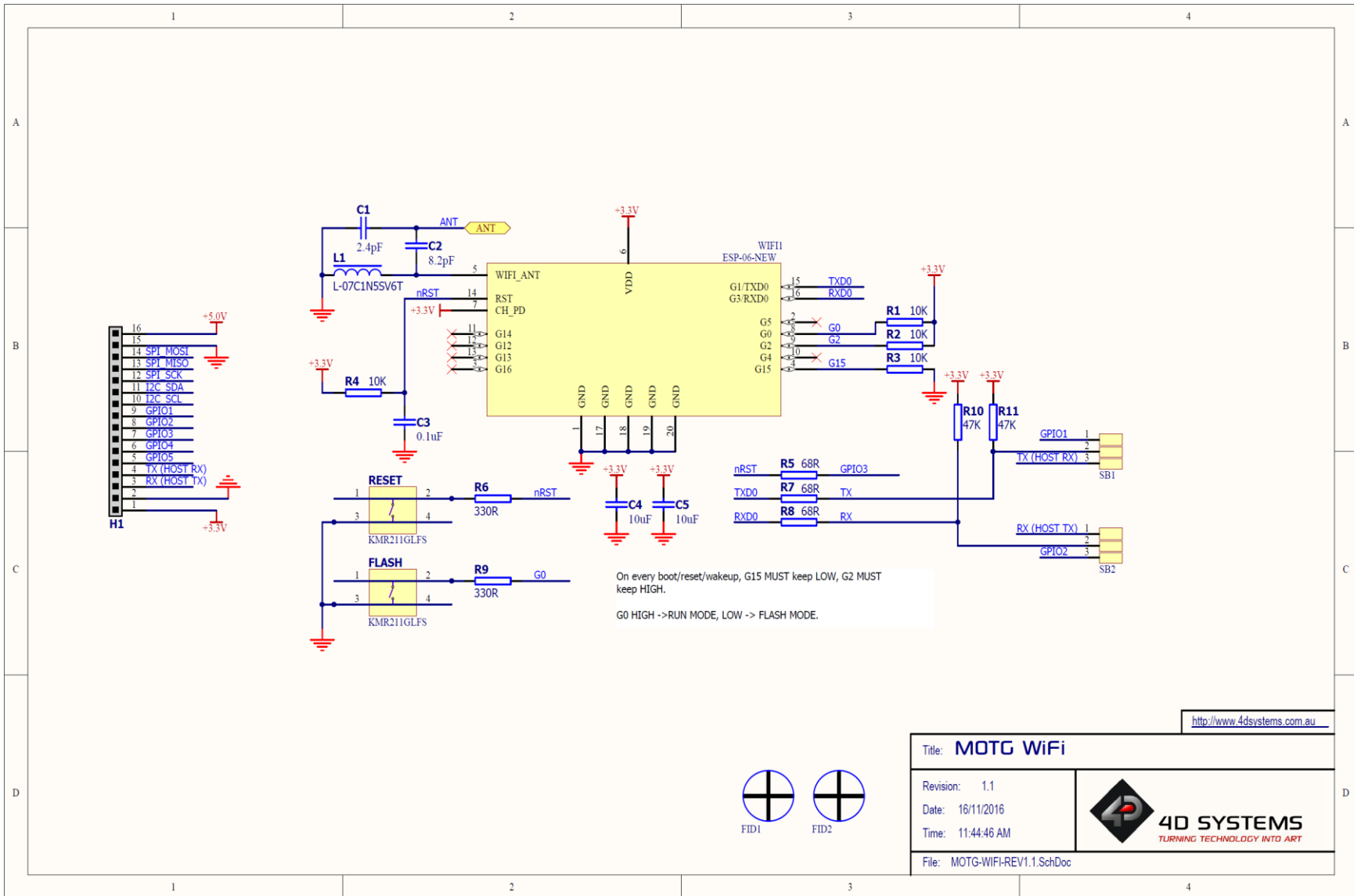
Again, the ESP8266 needs to be placed into bootloader mode. To do this, simply press and hold the Flash button on the MOTG-WiFi-ESP, and then press the Reset button for a second, and then finally release the Reset button. Keep holding the Flash button. A second or so later, you can release the Flash button. The ESP8266 should now be in bootloader mode.

Press the Start Button, to start the programming of the ESP8266 module. When the progress bar goes to the very right-hand side, the process is complete, and the module should have been successfully loaded with the AT command set.

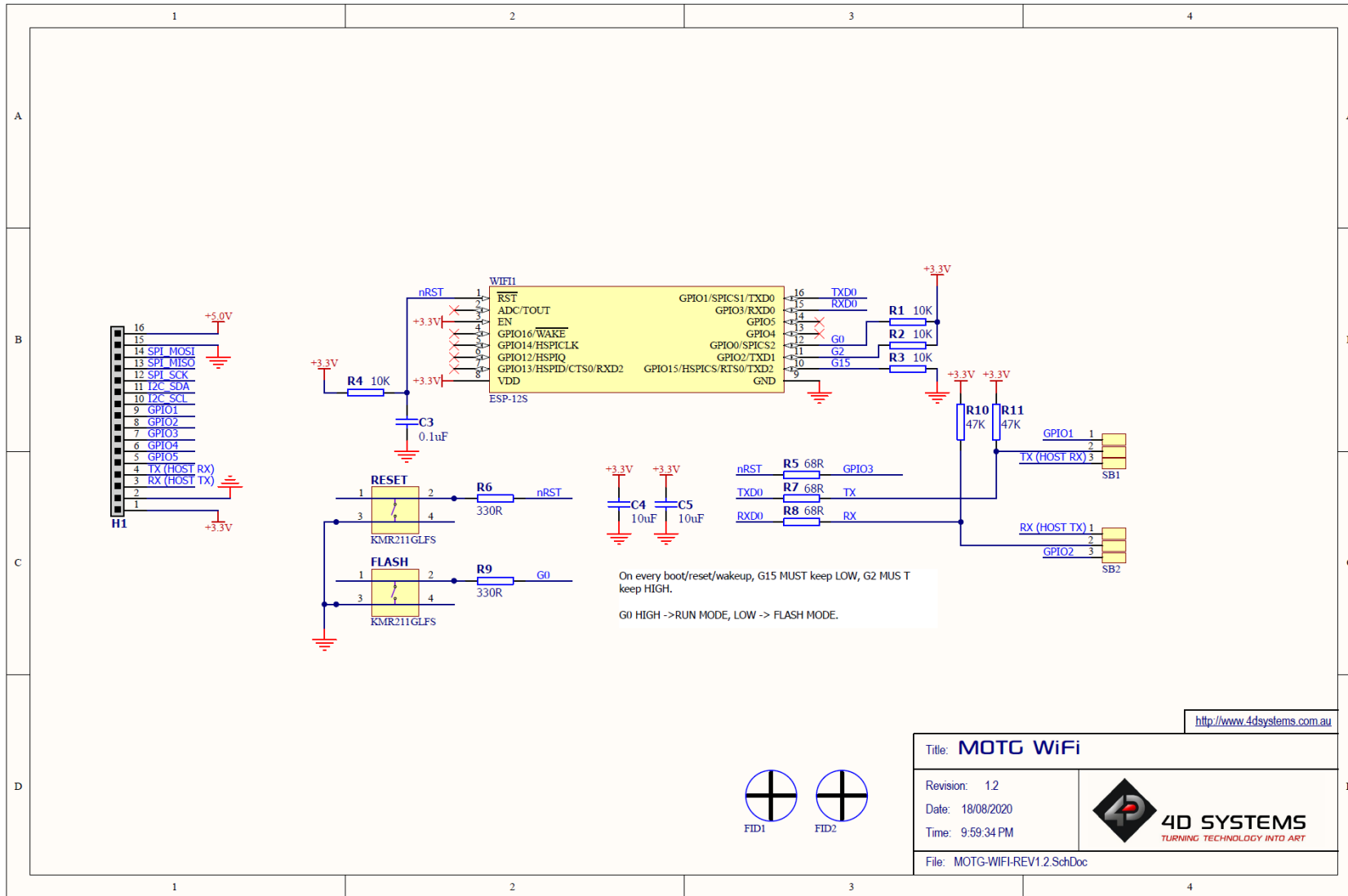
1.7. Mechanical Views



1.8. Schematic Details REV 1.1



1.9. Schematic Details REV 1.2



1.10. Specifications

| RECOMMENDED OPERATING CONDITIONS | | | | | |
|----------------------------------|------------|----------|-----|----------|-------|
| Parameter | Conditions | Min | Typ | Max | Units |
| Supply Voltage (VCC) | | 1.7 | 3.3 | 3.6 | V |
| Operating Temperature | | -20 | -- | 70 | °C |
| Input Low Voltage (VIL) | All pins | -0.3 | -- | 0.25*VCC | V |
| Input High Voltage (VIH) | All pins | 0.75*VCC | -- | 3.6 | V |

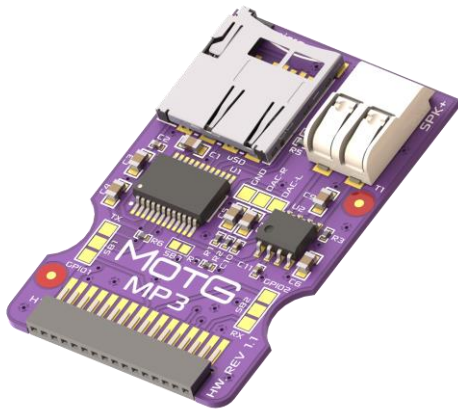
| GLOBAL CHARACTERISTICS BASED ON OPERATING CONDITIONS | | | | | |
|--|------------|---------|-------|---------|-------|
| Parameter | Conditions | Min | Typ | Max | Units |
| Supply Current (ICC) | | -- | 215.0 | -- | mA |
| Output Low Voltage (VOL) | | -0.3 | -- | 0.1*VCC | V |
| Output High Voltage (VOH) | | 0.8*VCC | -- | VCC | V |

1.11. Hardware Revision History

| Revision Number | Date | Description |
|-----------------|------------|--|
| 1.1 | 23/09/2016 | Initial Public Release version |
| 1.2 | 26/07/2017 | Change of the ESP module used from ESP-06 to ESP-12S |
| | | |
| | | |
| | | |
| | | |
| | | |
| | | |
| | | |
| | | |
| | | |
| | | |
| | | |
| | | |
| | | |
| | | |
| | | |
| | | |
| | | |
| | | |
| | | |
| | | |
| | | |

End of MOTG-WiFi-ESP Datasheet

2. MOTG-MP3



2.1. Description

MOTG-MP3 is an audio sound module that can play MP3 audio files stored on a micro-SD card, such as voice and music.

The MOTG-MP3 features an on board 16-bit MCU, specifically designed for hardware audio decoding by 4D Systems.

It features an on-board mono amplifier capable of driving a 4-ohm 3-watt speaker. It also features stereo DAC output for connecting directly to headphones or to an external amplifier.

In short, the MOTG-MP3 offers very flexible, compact and low-cost embedded audio solution for many applications.

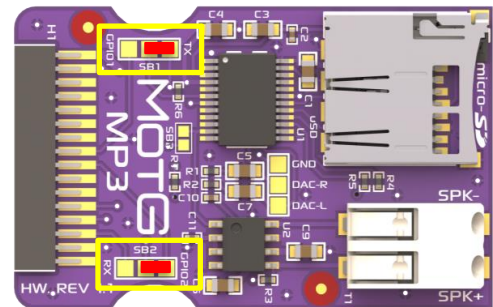
2.2. Features

- Features SOMO II 16-bit MCU by 4D Systems
- Supports 5V power supply only
- Supports bit rates 11172-3 & ISO1381303
- Sample rates from 8Khz to 48Khz
- 24-bit DAC audio output
- Supports 2-Wire 3.3V TTL UART interface
- Mono amplified Speaker output
- On-board micro-SD memory card connector

2.3. Before Getting Started

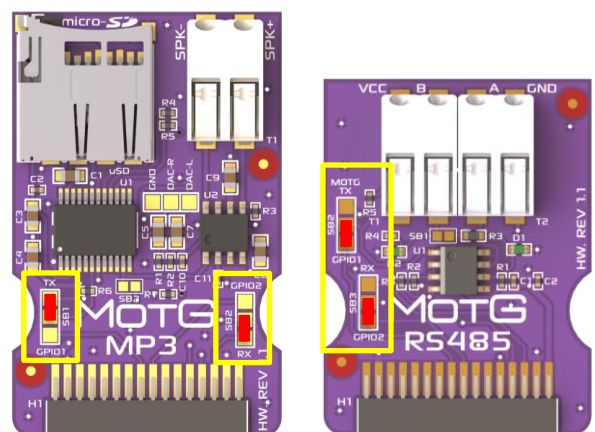
Out of the box, the chipset's UART pins are not connected to the UMI of the MOTG.

MOTG-MP3 hardware allows the UART pins to be connected to either TX, RX or GPIO1, GPIO2 of the UMI. This is could be achieved by shorting the respective sides of solder bridges SB1 and SB2 with a blob of solder, using a soldering iron. This must be done by the User.



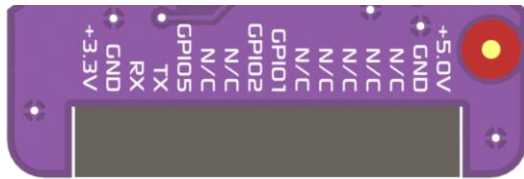
Unless the designer intends to use two UART MOTGs on a gen4-MOTG-AC2 or gen4-MOTG-AC4 board, the UART pins should be directed to TX, RX of the UMI as shown above.

When two UART MOTGs are being used on a gen4-MOTG-AC2 or gen4-MOTG-AC4 board, the UART pins of one of the MOTGs should be diverted to GPIO1 and GPIO2 of the UMI, as shown below. This prevents both MOTGs from utilising the same pins of the gen4 display module for UART communication.



2.4. Pin and Solder Bridges

2.4.1 Pin Description



| Pin | Symbol | Description |
|-----|--------|----------------------------------|
| 1 | 3.3V | Not Connected |
| 2 | GND | Supply Ground |
| 3 | RX | Asynchronous Serial Receive Pin |
| 4 | TX | Asynchronous Serial Transmit Pin |
| 5 | GPIO5 | Busy Signal |
| 6 | N/C | Not Connected |
| 7 | N/C | Not Connected |
| 8 | GPIO2 | RX Bypass Pin |
| 9 | GPIO1 | TX Bypass Pin |
| 10 | N/C | Not Connected |
| 11 | N/C | Not Connected |
| 12 | N/C | Not Connected |
| 13 | N/C | Not Connected |
| 14 | N/C | Not Connected |
| 15 | GND | Supply Ground |
| 16 | 5.0V | 5V Input Supply |

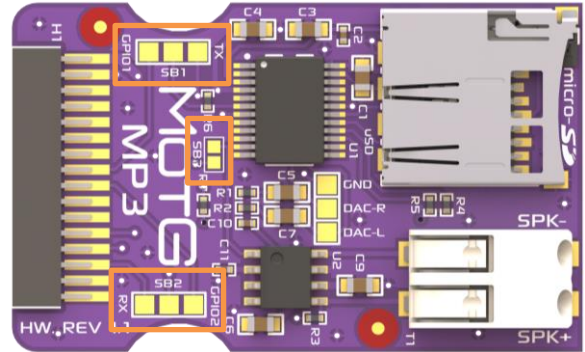
Note:

GPIO 5 indicates if the Audio is playing. It can be used to trigger an external amplifier. Low indicates Audio output is occurring. High indicates no Audio output. SB3 requires to be shorted in order to utilize this functionality.

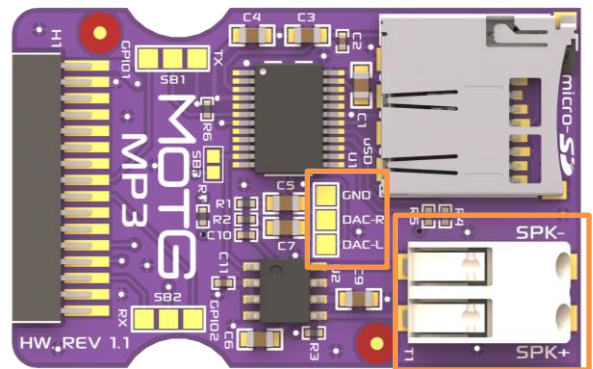
The designer can choose if the UART pins of the MOTG should be connected to either TX, RX or GPIO1, GPIO2 of the UMI. This is could be achieved by shorting the respective sides of solder bridges SB1 and SB2. This is discussed in detail in **Before Getting Started** section.

2.4.2 Solder Bridge Description

The MOTG-MP3 also has three solder bridges. The functionality of those solder bridges is described in the table below. These are soldered by the User.



| Solder Bridge | Description |
|---------------|-----------------|
| SB1 | TX Selector |
| SB2 | RX Selector |
| SB3 | Enable Busy Pin |



SPK+, SPK- provides a differential amplified output to a single speaker. Connect these pins to a 4/8/16/32-ohm speaker, at max of 3 watts when powered from a 5V supply. An 8-ohm 2.5W speaker is recommended.

DAC_R, DAC_L provides the Left and Right audio outputs, capable of driving headphones directly or small speakers, or fed into an external amplifier. To utilise these signals, wires or pins can be soldered to these pads by the User.

2.5. Serial Commands

The SERIAL-MODE provides a simple 2-wire TTL Serial UART interface to any micro-controller capable of interfacing to 5.0V TTL Serial UART system that can be configured to output the simple protocol required to communicate with the MOTG-MP3.

Baud Rate: 9600 bps

Data bits: 8

Stop Bits: 1

Parity bit: none

Flow Control: none

The MOTG-MP3 audio operations such as PLAY, PAUSE, STOP, NEXT, PREVIOUS and VOLUME etc are all available to the host micro-controller to control using a simple set of bytes sent to the MOTG-MP3, along with many more, which can be found under the Valid Commands listed below.

Command Format: The format of the serial commands are as follows

| FORMAT: \$S, CMD, Feedback, Para1, Para2, Checksum1, Checksum2, \$0 | | |
|---|------------------------------------|---|
| \$S | Start Character \$S is 0x7E in HEX | Every command starts with this |
| CMD | Command Code | Every command has a unique command code, which determines the operation |
| Feedback | Command Feedback | Specifies whether feedback is required by the host microcontroller in reply to the command. 1 = Feedback, 0 = No Feedback |
| Para1 | Parameter #1 | First parameter of the specific Command Code |
| Para2 | Parameter #2 | Second parameter of the specific Command Code |
| Checksum1 | Checksum #1 | First byte of the checksum. Checksum calculation shown below |
| Checksum2 | Checksum #2 | Second byte of the checksum. Checksum calculation shown below. |
| \$0 | End Character \$0 is 0xEF in HEX | Every command ends with this |

Checksum Calculation:

The checksum is calculated using the following formula.

Checksum (2 bytes) = $0xFFFF - (CMD + Feedback + Para1 + Para2) + 1$

Valid Commands:

All commands shown below have Feedback turned off so there will be no data sent from the MOTG-MP3 after the command has been sent from the microcontroller (except for the Query commands which are requesting data).

| Function | Serial Command | Description |
|------------------------|---|--|
| NEXT | 7E 01 00 00 00 FF FF EF | If no track is currently playing, issuing the NEXT command will start playing the first track copied to the media (see Section 6). If the MOTG-MP3 is currently playing a song or has previously played a song, this will play the next song in the order copied on to the media. |
| PREVIOUS | 7E 02 00 00 00 FF FE EF | If no track is currently playing, issuing the PREVIOUS command will start playing the last track copied to the media (see Section 6). If the MOTG-MP3 is currently playing a song or has previously played a song, this will play the previous song in the order copied on to the media. |
| SPECIFY TRACK # | 7E 03 00 00 01 FF FC EF 7E 03 00 00 02 FF FB EF 7E 03 00 00 0A FF F3 EF | Start playing the first track copied to the media. (See Section 6) This will start playing the second track copied to the media. This will start playing the tenth track copied to the media. |
| VOLUME + | 7E 04 00 00 00 FF FC EF | This will increase the volume by 1 (0 – 30 range, level 20 is default power on setting) |
| VOLUME - | 7E 05 00 00 00 FF FB EF | This will decrease the volume by 1 (0 – 30 range, level 20 is default power on setting) |
| VOLUME # | 7E 06 00 00 1E FF DC EF 7E 06 00 00 05 FF F5 EF | This will set the volume to be 30 (30 is the Max) This will set the volume to be 5 |
| SPECIFY EQ | 7E 07 00 00 01 FF F8 EF 7E 07 00 00 04 FF F5 EF | This will set the EQ to pop This will set the EQ to classic (0/1/2/3/4/5 Normal, Pop, Rock, Jazz, Classic, Bass) |
| REPEAT A TRACK | 7E 08 00 00 01 FF F7 EF 7E 08 00 00 02 FF F6 EF 7E 08 00 00 1F FF D9 EF | This will repeat the first track copied to the media. (See Section 2.6) This will repeat the second track copied to the media. This will repeat the thirty first track copied to the media. |
| PLAY SOURCE | 7E 09 00 00 02 FF F5 EF | This will set the MOTG-MP3 to play from a micro-SD Card |
| RESET | 7E 0C 00 00 00 FF F4 EF | This will reset the MOTG-MP3, to be in its powered-on state |
| PLAY | 7E 0D 00 00 00 FF F3 EF | Play the audio track selected (if selected) else the first track copied on to the media (See Section 2.6) |
| PAUSE | 7E 0E 00 00 00 FF F2 EF | Pause the current playing audio Track. If PLAY command is then sent, the audio track will resume from where it was paused. |
| SPECIFY FOLDER & TRACK | 7E 0F 00 01 01 FF EF EF 7E 0F 00 01 0A FF E6 EF 7E 0F 00 63 FF FE 8F EF | This will start playing Folder 1 from Track 1. (See Section 2.6) This will start playing Folder 1 from Track 10. This will start playing Folder 99 from Track 255 |
| CONTINUOUS | 7E 11 00 00 01 FF EE EF | This will enable continuous mode (disable RANDOM TRACK and REPEAT CURRENT if previously enabled), which will play all songs on the memory card, one after the other. Start track with PLAY . |
| STOP | 7E 16 00 00 00 FF EA EF | Stop the current playing audio Track. If PLAY command is then sent, the audio track will start from the beginning. |
| RANDOM TRACK | 7E 18 00 00 00 FF E8 EF | This will enable Random Mode (disable CONTINUOUS and REPEAT CURRENT if previously enabled), which plays random tracks one after the other, continuously. Start track with PLAY . |
| REPEAT CURRENT | 7E 19 00 00 00 FF E7 EF | This will enable the repeat play mode (disable CONTINUOUS and RANDOM TRACK if previously enabled), which repeats the currently playing track, so it will play over and over continuously. Track must be playing before this command is sent. |
| SINGLE PLAY | 7E 19 00 00 01 FF E6 EF | This will disable CONTINUOUS, RANDOM TRACK or REPEAT CURRENT modes if previously enabled, which is how the module starts up by default. This will allow one song to play and then stop. Start track with PLAY . |

| | | |
|-------------------------|--|---|
| QUERY VOLUME | 7E 43 00 00 00 FF BD EF | Query the current volume. |
| QUERY EQ | 7E 44 00 00 00 FF BC EF | Query the current EQ Setting (0/1/2/3/4/5 Normal, Pop, Rock, Jazz, Classic, Bass) |
| QUERY TRACKS uSD | 7E 48 00 00 00 FF B8 EF | Query the number of files present on the micro-SD Card |
| QUERY CURRENT TRACK uSD | 7E 4C 00 00 00 FF B4 EF | Query the current track playing from the micro-SD Card |
| QUERY TRACKS FOLDER | 7E 4E 00 00 01 FF B1 EF 7E 4E 00 00 0B FF A7 EF | This will return the number of tracks in Folder 1 (001) This will return the number of tracks in Folder 11 (011) |

Successful command received by MOTG-MP3 (Feedback Byte needs to be ON):

If Feedback is required for successful receipt of a command, simply change the Feedback byte from 0x00 to 0x01, and a confirmation message will be sent from the MOTG-MP3 after the command is sent and received.

| Feedback Received | Description |
|-------------------------|-------------------------------|
| 7E 41 00 00 00 FF BF EF | Command Successfully Received |

Errors received from the MOTG-MP3:

If a command is sent to the MOTG-MP3 and the MOTG-MP3 resulted in an error from that command, the following messages could be sent. These are sent on error regardless of if the feedback byte is enabled or disabled.

| ERRORS Received | Description |
|-------------------------|---------------------------------------|
| 7E 40 00 00 01 FF BF EF | Module is busy |
| 7E 40 00 00 02 FF BE EF | Module is currently in sleep mode |
| 7E 40 00 00 03 FF BD EF | Serial received an error |
| 7E 40 00 00 04 FF BC EF | Checksum error |
| 7E 40 00 00 05 FF BB EF | Beyond scope of specified file/folder |
| 7E 40 00 00 06 FF BA EF | Specified file/Folder not found |

Other information received from MOTG-MP3:

These commands are sent from the MOTG-MP3 when certain events occur and could come at various times.

| DATA Received | Description |
|--|--|
| 7E 3A 00 00 02 FF C4 EF | micro-SD Card Inserted. Sent every time a micro-SD card is inserted. |
| 7E 3B 00 00 02 FF C3 EF | micro-SD Card Removed. Sent every time a micro-SD card is ejected. NOTE: when the card is ejected, multiple messages may be sent (ejected, inserted and ejected again). This is a side-effect of the type of micro-SD socket that is installed if the card is ejected slowly, i.e. holding in the card before releasing. |
| 7E 3D 00 00 02 FF C1 EF 7E 3D 00 00 0A FF B9 EF | micro-SD Card source, finished playing Track 02 micro-SD Card source, finished playing Track 10 (0x0A) |
| 7E 3F 00 00 00 FF C1 EF | MOTG-MP3 has just started up, no media detected |
| 7E 3F 00 00 02 FF BF EF | MOTG-MP3 has just started up, micro-SD Card detected |

2.6. Media – micro-SD card

The MOTG-MP3 uses off the shelf micro-SD and micro-SD-HC memory cards with up to 32GB capacity, and compatible with both FAT16 and FAT32 file formats. The formatting of the card can be done on any PC/Mac/Linux system with a card reader. Select appropriate drive and choose the FAT16 or FAT32 file format, depending on capacity of your micro-SD card. The card is now ready to be used in the MOTG-MP3.

NOTE: Certain brands of micro-SD memory cards may not work properly. This is evident by some files that may be skipped and not played by the MOTG-MP3.

2.7. File & Folder Structure

The MOTG-MP3 is flexible how files are stored on the micro-SD, however in order to have control over which files are played, it is important to follow some simple naming rules in order for the MOTG-MP3 to play the specific file you intend to play.

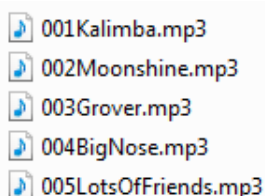
The MOTG-MP3 is capable of addressing up to 99 Folders, each with up to 255 songs.

MOTG-MP3 is not capable of reading ID3 information from the MP3 files, so purely relies on the name of the file as the index (Primary method), or the order the files were copied onto the media (Secondary Method).

While MOTG-MP3 files can be named almost anything and they will play, in order to index the files so they can be picked on request using a specific serial command to select the folder/file using the Primary Method, the following must be observed:

001ABCDEFGF.mp3

Where 001 refers to the track number from 1 (001) to 255 as the MOTG-MP3 can address up to 255 songs in each folder, and ABCDEFG refers to any alphanumeric name of your choosing, where the total file name length can be 32 characters long (Operating System dependant), ending with .mp3 extension.

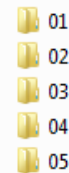


001Kalimba.mp3
002Moonshine.mp3
003Grover.mp3
004BigNose.mp3
005LotsOfFriends.mp3

The folder structure should have then the following naming convention:

01

Where 01 refers to a number from 01 to 99, as the MOTG-MP3 can address up to 99 folders.



01
02
03
04
05

If Songs are placed on the media and they may or may not follow the naming convention, then the song can be played using the **PLAY, NEXT, PREV** commands or buttons, or using the **SPECIFY TRACK #** command, which uses the Secondary Method and plays based on the order the songs were copied (Secondary Method) on to the media and not the name or location of the files.

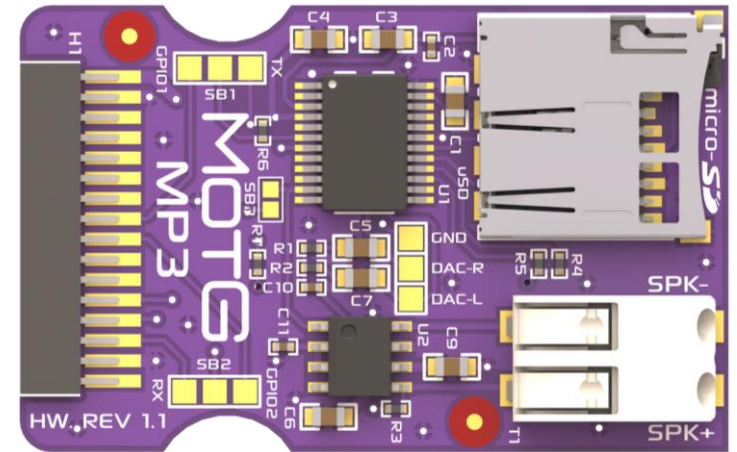
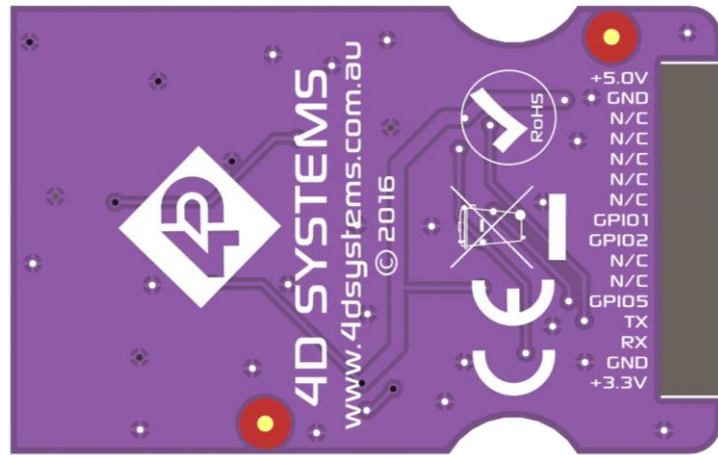
The **SPECIFY FOLDER & TRACK** command however cannot be used if the naming convention has not been followed (Primary Method), as this relies on the formatting above to be observed.

Note, when using the **SPECIFY FOLDER & TRACK** command, Folder and Track numbering is in HEX. So the Folders are 0x01 through 0x63 (1 to 99), and the Tracks are 0x01 through 0xFF (1 to 255).

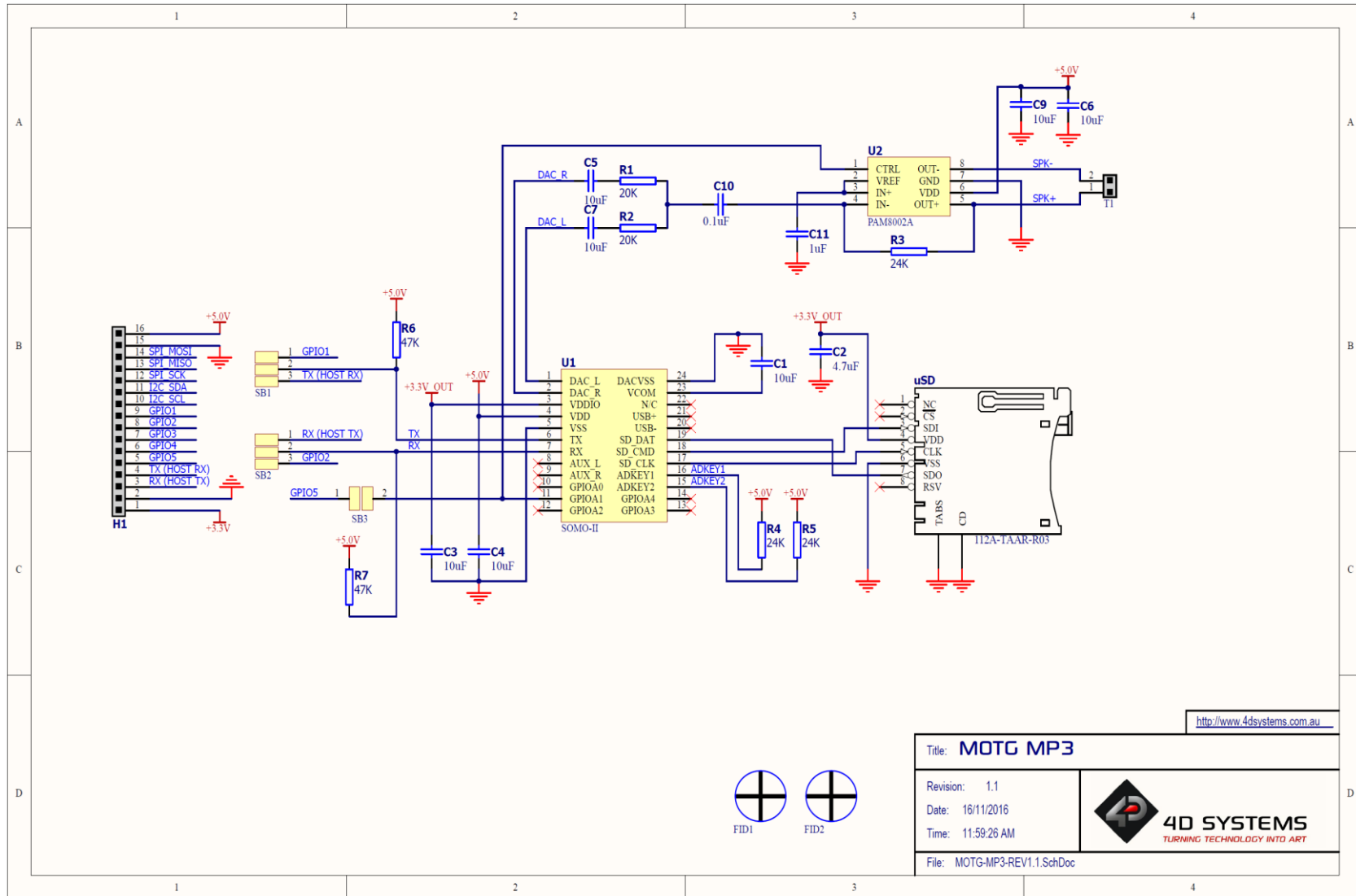
If the above formatting is observed, all commands will work corretly, so both Primary and Secondary methods are fucntional.

It may be difficult to determine the order songs were copied onto the media, so the Secondary Method should only be used if the order is not critical or the copy order is known. The Primary Method should be used as the perferred method.

2.8. Mechanical Views



2.9. Schematic Details



2.10. Specifications

| RECOMMENDED OPERATING CONDITIONS | | | | | |
|----------------------------------|------------|---------|-----|---------|-------|
| Parameter | Conditions | Min | Typ | Max | Units |
| Supply Voltage (VCC) | | 3.3 | 5.0 | 5.0 | V |
| Operating Temperature | | 0.0 | -- | 70.0 | °C |
| Input Low Voltage (VIL) | All pins | -0.3 | -- | 0.3*VCC | V |
| Input High Voltage (VIH) | All pins | 0.7*VCC | -- | VCC+0.3 | V |

| GLOBAL CHARACTERISTICS BASED ON OPERATING CONDITIONS | | | | | |
|--|---------------------------|------|------|-------|-------|
| Parameter | Conditions | Min | Typ | Max | Units |
| Supply Current (ICC) | VCC = 5.0V, Audio Playing | 30.0 | -- | 300.0 | mA |
| Standby Current | VCC = 5.0V | -- | 20.0 | -- | uA |
| Output Low Voltage (VOL) | | -- | -- | 0.3 | V |
| Output High Voltage (VOH) | | 2.7 | -- | VCC | V |

2.11. Hardware Revision History

| Revision Number | Date | Description |
|-----------------|------------|--------------------------------|
| 1.1 | 21/11/2016 | Initial Public Release version |
| | | |
| | | |
| | | |
| | | |
| | | |
| | | |
| | | |
| | | |
| | | |
| | | |
| | | |
| | | |
| | | |
| | | |
| | | |
| | | |
| | | |
| | | |
| | | |
| | | |
| | | |

End of MOTG-MP3 Datasheet

3. MOTG-RS232



3.1. Description

RS232 is a standard communication port for various industry and networking equipment. However, most of the microcontrollers do not facilitate direct RS232 communication as they do not support RS232 voltage levels.

MOTG-RS232 provides a low power, high speed and low-cost solution for incorporating RS232 serial communication to your design.

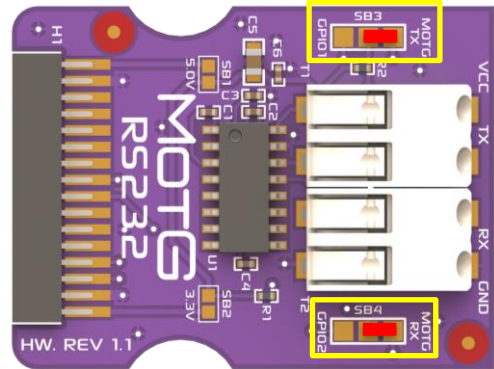
3.2. Features

- Level conversion using ST232CDR IC by ST
- Supports both 3.3V and 5V power supply
- Up to 400kbps data rate
- ±25V input levels
- 300 µA supply current
- 6 V/µs minimum slew rate
- Supports 2-wire 3.3V/5V TTL UART interface (the logic depends on the supply)

3.3. Before Getting Started

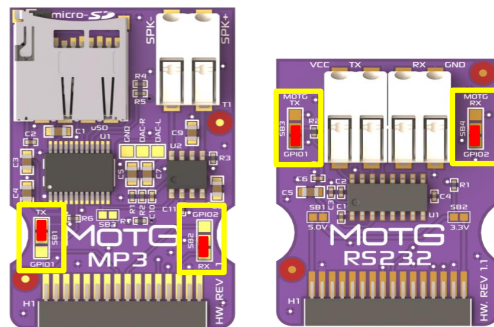
Out of the box, the chipset's UART pins are not connected to the UMI of the MOTG.

MOTG-RS232 hardware allows the UART pins to be connected to either TX, RX or GPIO1, GPIO2 of the UMI. This is could be achieved by shorting the respective sides of solder bridges SB1 and SB2 using a solder blob and a soldering iron. This is done by the User.



Unless the designer intends to use two UART MOTGs on a gen4-MOTG-AC2 or gen4-MOTG-AC4 board, the UART pins should be directed to TX, RX of the UMI as shown above.

When two UART MOTGs are being used on a gen4-MOTG-AC2 or gen4-MOTG-AC4 board, the UART pins of one of the MOTGs should be diverted to GPIO1 and GPIO2 of the UMI, as shown below. This prevents both MOTGs from utilising the same pins of the gen4 display module for UART communication.



3.4. Chipset Features

MOTG-RS232 carries the ST3232, low power RS232 driver and receiver IC. The datasheet for the ST3232 is available from the <http://www.st.com/> website

3.5. Pins and Solder Bridges

3.5.1 Pin Description



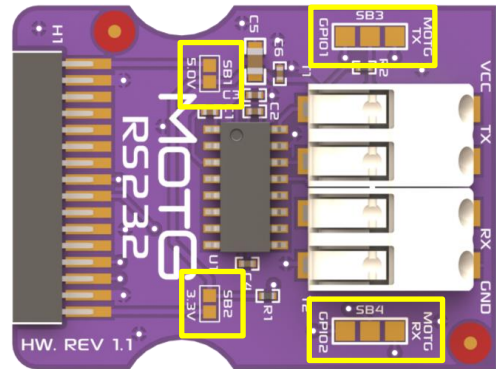
| Pin | Symbol | Description |
|-----|--------|----------------------------------|
| 1 | 3.3V | 3.3V Input Supply |
| 2 | GND | Supply Ground |
| 3 | RX | Asynchronous Serial Receive Pin |
| 4 | TX | Asynchronous Serial Transmit Pin |
| 5 | N/C | Not Connected |
| 6 | N/C | Not Connected |
| 7 | N/C | Not Connected |
| 8 | GPIO2 | RX Bypass Pin |
| 9 | GPIO1 | TX Bypass Pin |
| 10 | N/C | Not Connected |
| 11 | N/C | Not Connected |
| 12 | N/C | Not Connected |
| 13 | N/C | Not Connected |
| 14 | N/C | Not Connected |
| 15 | GND | Supply Ground |
| 16 | 5.0V | 5V Input Supply |

Note:

Designer can choose if the UART pins of the MOTG should be connected to either TX, RX or GPIO1, GPIO2 of the UMI. This could be achieved by shorting the respective sides of solder bridges SB1 and SB2. This is discussed in detail in **Before Getting Started**.

3.5.2 Solder Bridge Description

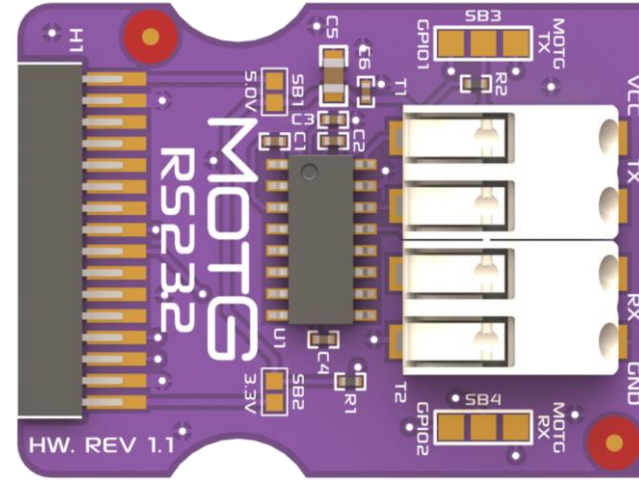
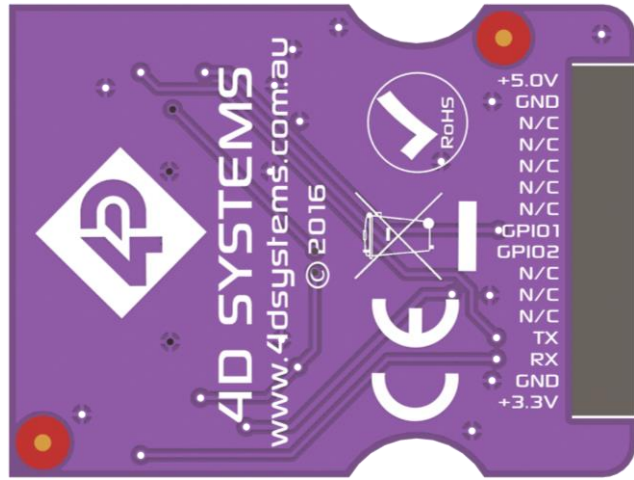
The MOTG-RS232 also has four solder bridges. The functionality of those solder bridges is described in the table below. These are soldered by the User.



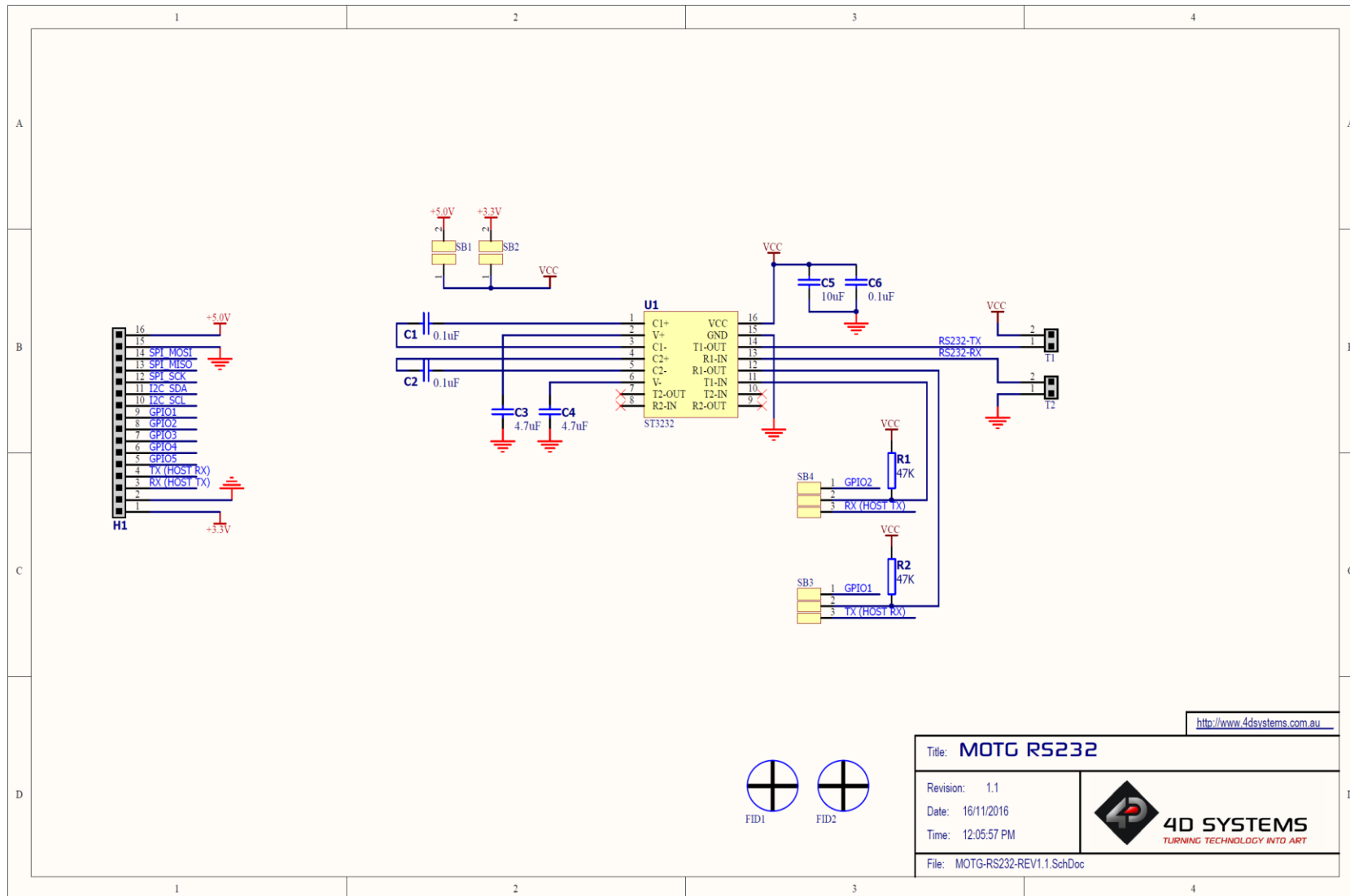
| Solder Bridge | Description |
|---------------|---------------------------------|
| SB1 | Short SB1 for 5.0V input supply |
| SB2 | Short SB2 for 3.3V input supply |
| SB3 | TX selector |
| SB4 | RX Selector |

The MOTG-RS232 supports both 3.3V and 5V supply. The preferred supply voltage could be chosen by shorting the appropriate solder bridge.


3.6. Mechanical Views



3.7. Schematic Details



<http://www.4dsystems.com.au>

| | |
|--------------------------------|---|
| Title: MOTG RS232 | |
| Revision: 1.1 |  4D SYSTEMS <small>TURNING TECHNOLOGY INTO ART</small> |
| Date: 16/11/2016 | |
| Time: 12:05:57 PM | |
| File: MOTG-RS232-REV1.1.SchDoc | |

3.8. Specifications

| RECOMMENDED OPERATING CONDITIONS | | | | | |
|----------------------------------|------------|---------|-----|---------|-------|
| Parameter | Conditions | Min | Typ | Max | Units |
| Supply Voltage (VCC) | | 3.3 | 5.0 | 5.0 | V |
| Operating Temperature | | 0.0 | -- | 70.0 | °C |
| Input Low Voltage (VIL) | All pins | -0.3 | -- | 0.3*VCC | V |
| Input High Voltage (VIH) | All pins | 0.7*VCC | -- | VCC+0.3 | V |

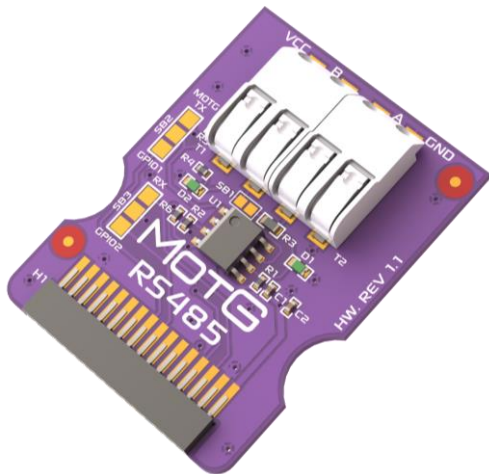
| GLOBAL CHARACTERISTICS BASED ON OPERATING CONDITIONS | | | | | |
|--|---------------------------|------|------|-------|-------|
| Parameter | Conditions | Min | Typ | Max | Units |
| Supply Current (ICC) | VCC = 5.0V, Audio Playing | 30.0 | -- | 300.0 | mA |
| Standby Current | VCC = 5.0V | -- | 20.0 | -- | uA |
| Output Low Voltage (VOL) | | -- | -- | 0.3 | V |
| Output High Voltage (VOH) | | 2.7 | -- | VCC | V |

3.9. Hardware Revision History

| Revision Number | Date | Description |
|-----------------|------------|--------------------------------|
| 1.1 | 23/09/2016 | Initial Public Release version |
| | | |
| | | |
| | | |
| | | |
| | | |
| | | |
| | | |
| | | |
| | | |
| | | |
| | | |
| | | |
| | | |
| | | |
| | | |
| | | |
| | | |
| | | |
| | | |
| | | |
| | | |
| | | |
| | | |
| | | |
| | | |
| | | |

End of MOTG-RS232 Datasheet

4. MOTG-RS485



4.1. Description

RS485 is a standard communication port for various industry and networking equipment and enables easy configuration of local networks and multipoint communications links. Unfortunately, most of the microcontrollers do not support RS485 voltage levels.

MOTG-RS485 provides a high-speed and low-cost solution for incorporating RS485 Serial communication to your design.

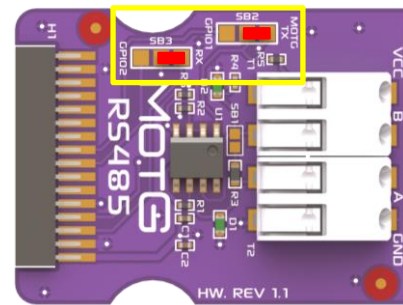
4.2. Features

- ST1480ACDR differential line transceiver
- 3.3V power supply only
- ESD protection: ±15 kV human body model
- Guaranteed 12 Mbps data rate
- 7 to 12 common mode input voltage range
- Supports 2-wire 3.3V/5V TTL UART interface

4.3. Before Getting Started

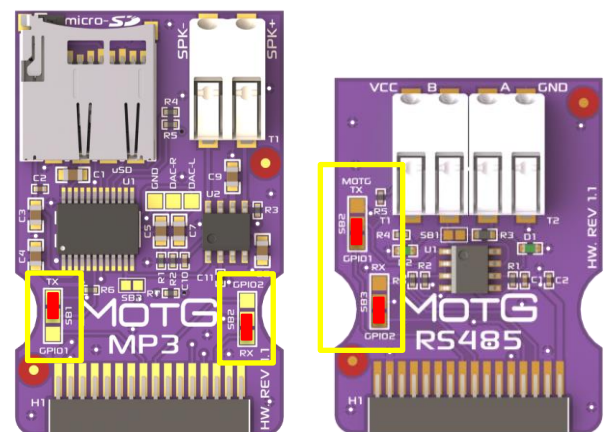
Out of the box, the chipset's UART pins are not connected to the UMI of the MOTG.

MOTG-RS485 hardware allows the UART pins to be connected to either TX, RX or GPIO1, GPIO2 of the UMI. This is could be achieved by shorting the respective sides of solder bridges SB2 and SB3 using a solder blob and a soldering iron. This is done by the User.



Unless the designer intends to use two UART MOTGs on a gen4-MOTG-AC2 or gen4-MOTG-AC4 board, the UART pins should be directed to TX, RX of the UMI as shown above.

When two UART MOTGs are being used on a gen4-MOTG-AC2 or gen4-MOTG-AC4 board, the UART pins of one of the MOTGs should be diverted to GPIO1 and GPIO2 of the UMI, as shown below. This prevents both MOTGs from utilising the same pins of the gen4 display module for UART communication.



4.4. Chipset Features

MOTG-RS485 carries a ST1480ACDR differential line transceiver. The datasheet for the ST3232 is available from the <http://www.st.com/> website.

4.5. Pins and Solder Bridges

4.5.1 Pin Description



| Pin | Symbol | Description |
|-----|--------|----------------------------------|
| 1 | 3.3V | 3.3V Input Supply |
| 2 | GND | Supply Ground |
| 3 | RX | Asynchronous Serial Receive Pin |
| 4 | TX | Asynchronous Serial Transmit Pin |
| 5 | GPIO5 | Turn Around Pin, DE/RE |
| 6 | N/C | Not Connected |
| 7 | N/C | Not Connected |
| 8 | GPIO2 | RX Bypass Pin |
| 9 | GPIO1 | TX Bypass Pin |
| 10 | N/C | Not Connected |
| 11 | N/C | Not Connected |
| 12 | N/C | Not Connected |
| 13 | N/C | Not Connected |
| 14 | N/C | Not Connected |
| 15 | GND | Supply Ground |
| 16 | N/C | Not Connected |

Note:

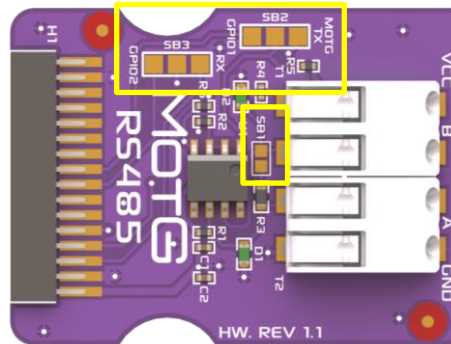
Designer can choose if the UART pins of the MOTG should be connected to either TX, RX or GPIO1, GPIO2 of the UMI. This could be achieved by shorting the respective sides of solder bridges SB2 and SB3. This is discussed in detail in **Before Getting Started**.

Note:

Please take note that GPIO5 marking is missing on the PCB silkscreen overlay on PCB HW REV 1.1. This is the Turn Around pin and is used to select if the module is transmitting or receiving. Please refer to the schematic to see connection details.

4.5.2 Solder Bridge Description

The MOTG-RS485 also has three solder bridges. The functionality of those solder bridges is described in the table below. These are soldered by the User.



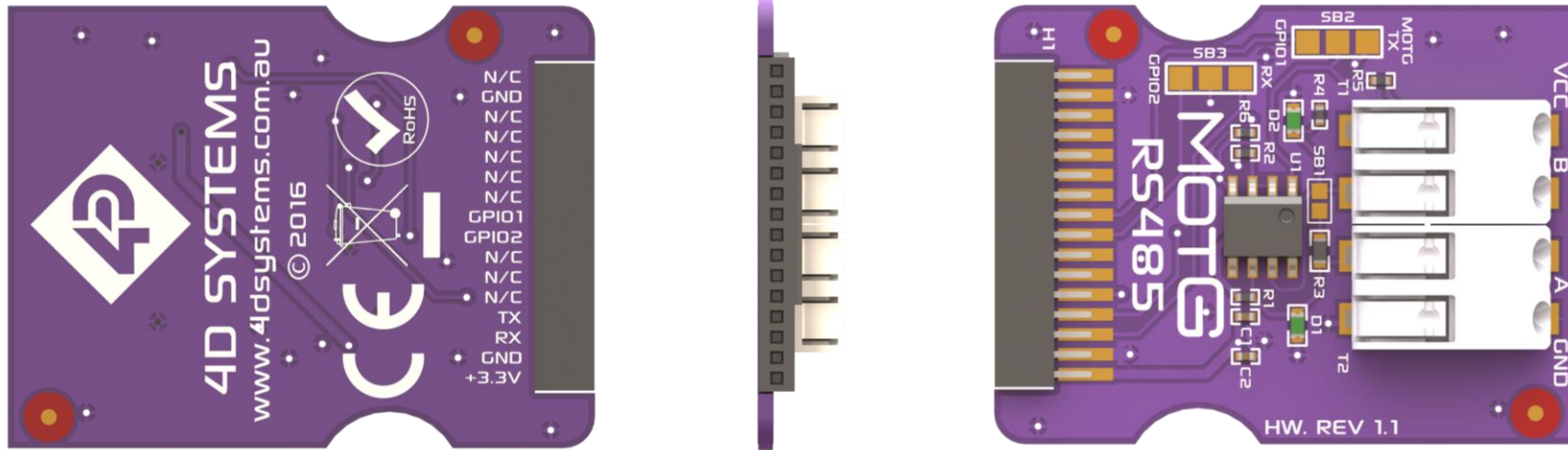
| Solder Bridge | Description |
|---------------|--------------------------|
| SB1 | Use terminating resistor |
| SB2 | TX selector |
| SB3 | RX Selector |

Note:

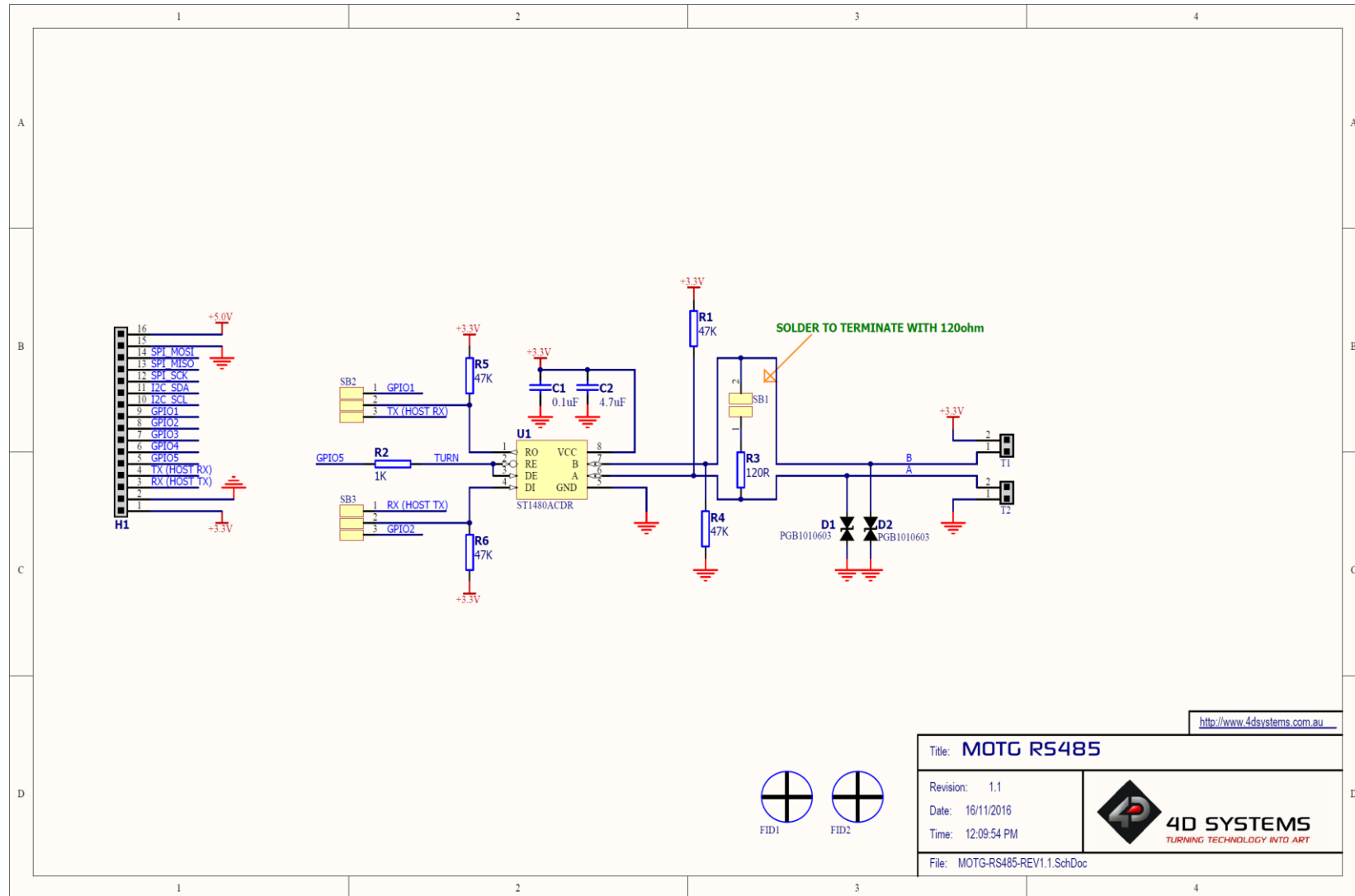
Each differential pair of wires is a remission line and proper termination of the line will prevent reflection. MOTG-RS485 has a termination resistor (120 ohms) for this purpose. Solder Bridge 1 (SB1) provides the option for using the terminating resistor in the module.

4.6. Mechanical Views

Please note – PCB Silkscreen on REV 1.1 PCB's is missing GPIO5 label.



4.7. Schematic Details



4.8. Specifications

| RECOMMENDED OPERATING CONDITIONS | | | | | |
|----------------------------------|------------|-----|-----|------|-------|
| Parameter | Conditions | Min | Typ | Max | Units |
| Supply Voltage (VCC) | | 3.0 | -- | 3.6 | V |
| Operating Temperature | | 0.0 | -- | 70.0 | °C |
| Input Low Voltage (VIL) | DE, DI, RE | -- | -- | 0.8 | V |
| Input High Voltage (VIH) | DE, DI, RE | 2.0 | -- | -- | V |

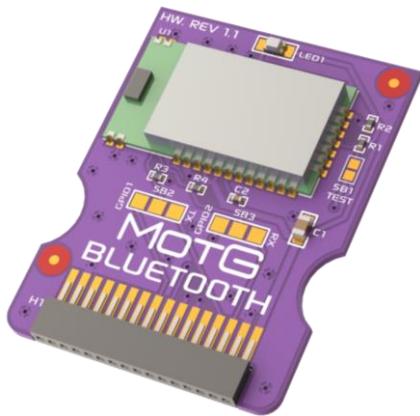
| GLOBAL CHARACTERISTICS BASED ON OPERATING CONDITIONS | | | | | |
|--|--|-------|-----|---------|-------|
| Parameter | Conditions | Min | Typ | Max | Units |
| Supply Current (ICC) | No Load, DI = 0 V or VCC, DE=VCC, RE=0 V or VCC | -- | 1.3 | 2.2 | mA |
| Transmitter Input Voltage | No Load, DI=0 V or VCC, DE=0 V, RE=0 V | -- | 1.2 | 1.9 | mA |
| Control Input Voltage | | -0.3 | -- | 7.0 | V |
| Driver Input Voltage | | -0.3 | -- | 7.0 | V |
| Receiver Output Voltage | | -0.3 | -- | VCC+0.3 | V |
| Receiver Input Voltage | | -14.0 | -- | 14.0 | V |
| Driver Output Voltage | | -14.0 | -- | 14.0 | V |

4.9. Hardware Revision History

| Revision Number | Date | Description |
|-----------------|------------|--------------------------------|
| 1.1 | 21/11/2016 | Initial Public Release version |
| | | |
| | | |
| | | |
| | | |
| | | |
| | | |
| | | |
| | | |
| | | |
| | | |
| | | |
| | | |
| | | |
| | | |
| | | |
| | | |
| | | |
| | | |
| | | |
| | | |

End of MOTG-RS485 Datasheet

5. MOTG-BLUETOOTH



5.1. Description

MOTG-BLUETOOTH provides low cost and low energy solution for all embedded Bluetooth applications. The MOTG-BLUETOOTH carries a RN4870 Bluetooth module, providing a complete solution to implement Bluetooth 4.2 Low energy connectivity.

The MOTG-BLUETOOTH can be dynamically configured easily using ASCII commands using the host microcontroller.

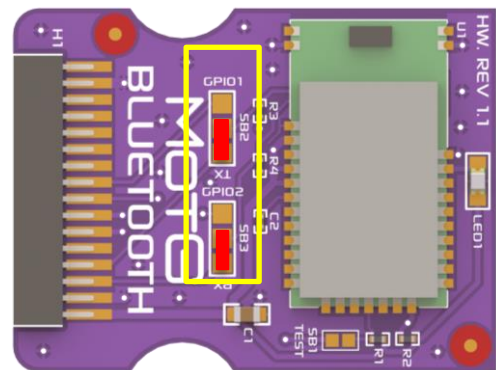
5.2. Features

- RN4870 Bluetooth Module by Microchip with
 - Bluetooth 4.2 Low Energy Stack
 - ASCII Command interface API over UART
 - Secure AES128 Encryption
- 3.3V Power supply only
- Supports 2-Wire 3.3V TTL UART Interface
- Integrated Ceramic Chip Antenna
- On board Status LED
- Remote configuration Over The Air
- ISM Band 2.402 GHz to 2.480 GHz Operation
- Channels: 0-39
- Receive Sensitivity: -90 dBm (LE)
- Transmit Power: 0dBm

5.3. Before Getting Started

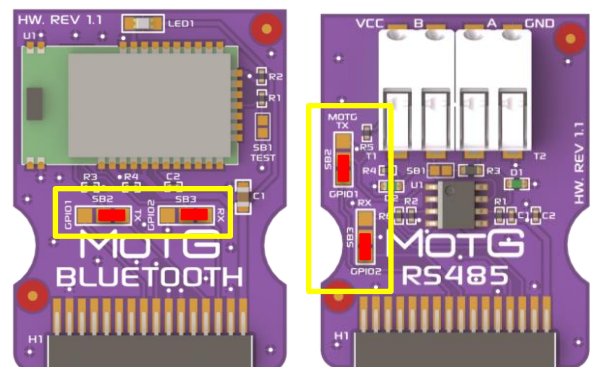
Out of the box, the chipset's UART pins are not connected to the UMI of the MOTG.

MOTG-BLUETOOTH hardware allows the UART pins to be connected to either TX, RX or GPIO1, GPIO2 of the UMI. This is could be achieved by shorting the respective sides of solder bridges SB2 and SB3 using a solder blob and soldering iron. This must be completed by the User.



Unless the designer intends to use two UART MOTGs on a gen4-MOTG-AC2 or gen4-MOTG-AC4 board, the UART pins should be directed to TX, RX of the UMI as shown above.

When two UART MOTGs are being used on a gen4-MOTG-AC2 or gen4-MOTG-AC4 board, the UART pins of one of the MOTGs should be diverted to GPIO1 and GPIO2 of the UMI, as shown below. This prevents both MOTGs from utilising the same pins of the gen4 display module for UART communication.



5.4. Chipset Features

5.4.1 RN4870 Bluetooth Module

The RN4870 module, based on Microchip’s IS187x Bluetooth LE ICs, is a leading platform for Bluetooth related projects or Internet of Things (IoT).

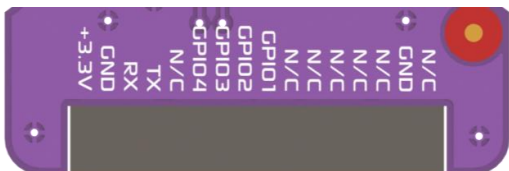


This Bluetooth Low Energy module incorporates Bluetooth 4.2 baseband controller, on-board Bluetooth stack and RF power amplifier.

The data sheet for the RN4870 is available from the <https://www.microchip.com> website. In addition, more support has been made available for this module by Microchip.

5.5. Pins and Solder Bridges

5.5.1 Pin Description



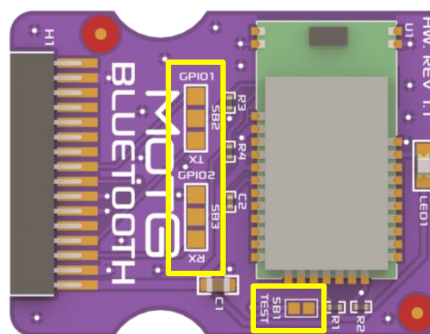
| Pin | Symbol | Description |
|-----|--------|--|
| 1 | 3.3V | 3.3V Input Supply |
| 2 | GND | Supply Ground |
| 3 | RX | Asynchronous Serial Receive Pin |
| 4 | TX | Asynchronous Serial Transmit Pin |
| 5 | N/C | Not Connected |
| 6 | GPIO4 | P2_0/MODE Pin |
| 7 | GPIO3 | Reset pin. An active Low pulse will reset the module |
| 8 | GPIO2 | RX Bypass |
| 9 | GPIO1 | TX Bypass |
| 10 | N/C | Not Connected |
| 11 | N/C | Not Connected |
| 12 | N/C | Not Connected |
| 13 | N/C | Not Connected |
| 14 | N/C | Not Connected |
| 15 | GND | Supply Ground |
| 16 | N/C | Not Connected |

Note:

Designer can choose if the UART pins of the MOTG should be connected to either TX, RX or GPIO1, GPIO2 of the UMI. This could be achieved by shorting the respective sides of solder bridges SB2 and SB3. This is discussed in detail in **Before Getting Started**.

5.5.2 Solder Bridge Description

The MOTG-BLUETOOTH has three solder bridges. The functionality of those solder bridges is described in the table below. These are soldered by the User.



| Solder Bridge | Description |
|---------------|---|
| SB1 | Short to use the GPIO4 to change/upgrade firmware |
| SB2 | TX selector |
| SB3 | RX Selector |

5.6. Firmware Programming

The MOTG-BLUETOOTH comes pre-programmed with the firmware version 1.18.3. If an updated command set is desired instead, then the default firmware will be lost. The following procedure outlines how to reload the RN4870 with the default firmware. Below are the six pins of the MOTG-BLUETOOTH that will be used when uploading a firmware.

- +3.3V (not 5V tolerant)
- GND
- RX
- TX
- GPIO3 (Reset)
- GPIO4 (P2_0/MODE)

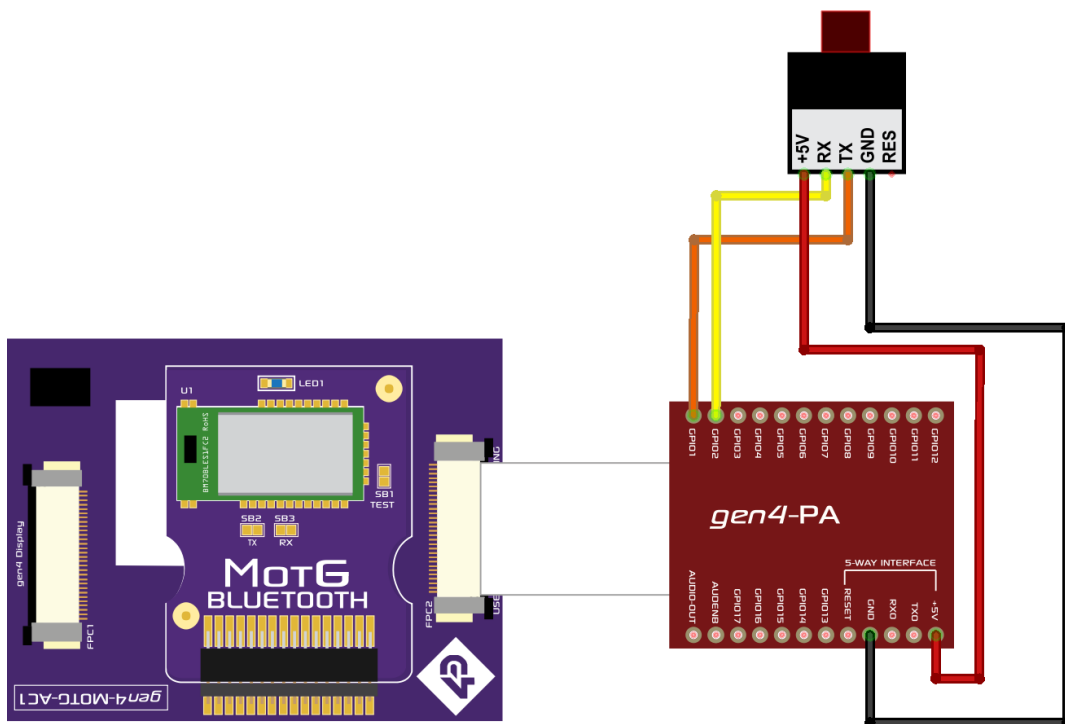


In this case, a gen4-MOTG-AC1 is used to gain access to the essential pins of the MOTG-BLUETOOTH. However, other gen4-MOTG-AC interface boards provided by 4D Systems could be used as well. The gen4-MOTG-AC1 is then interfaced to the gen4-PA, which essentially serves as a breakout board for the UMI pins in this setup.

Note: If you opt to use MOTG-BREADTOOTH instead of the gen4-MOTG-AC1 + gen4-PA combo, the 5V needs to be dropped to 3.3V externally, as MOTG-BREADTOOTH does not facilitate this internally.

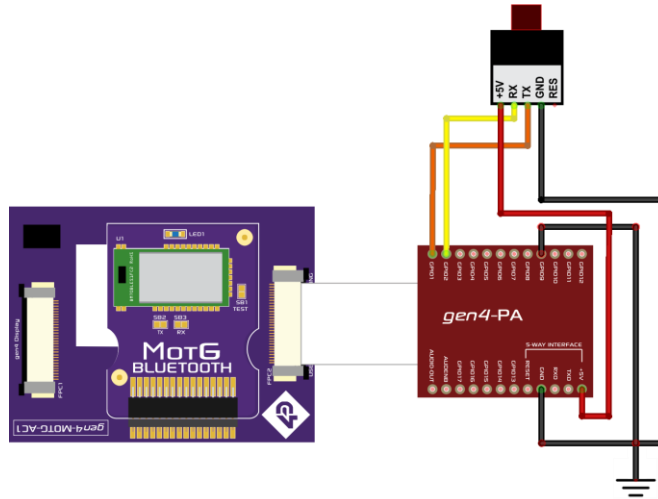
Lastly, a programming module is needed to program the MOTG-WiFi-ESP through the gen4-MOTG-AC1 + gen4-PA combo. This process does not necessarily require a 4D Systems programming module - the 4D USB programming cable or the uUSB-PA5. However, these are compatible and could be used to perform this procedure.

Carefully, slide the MOTG-BLUETOOTH on the gen4-MOTG-AC1 board. Connect the 4D programming module to the corresponding pins of the gen4 PA as shown in the image below.

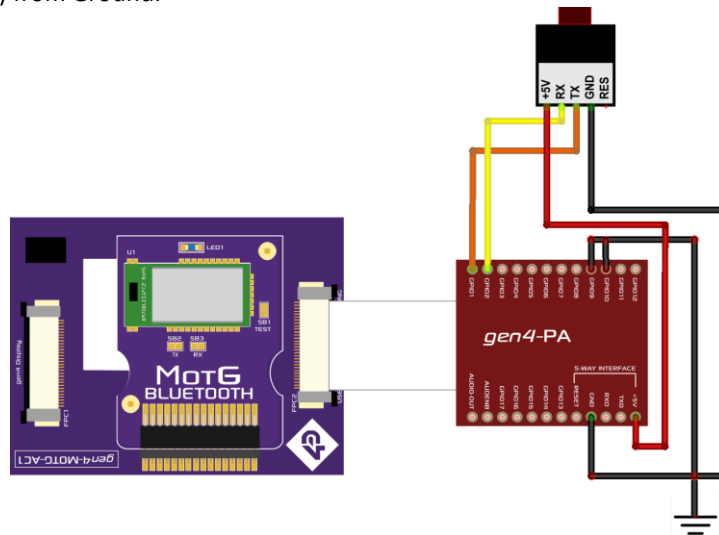


The RN4870 needs to be placed into Test mode. The following procedure will place the Bluetooth module in Test mode.

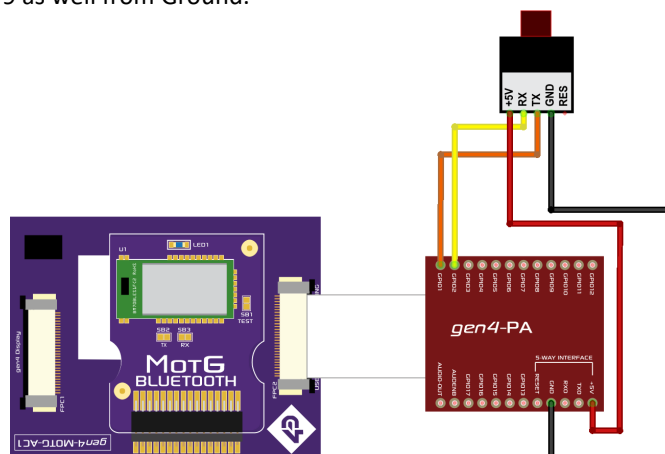
- Connect GPIO 9 (P2_0/MODE Pin) of the gen4 PA to Ground.



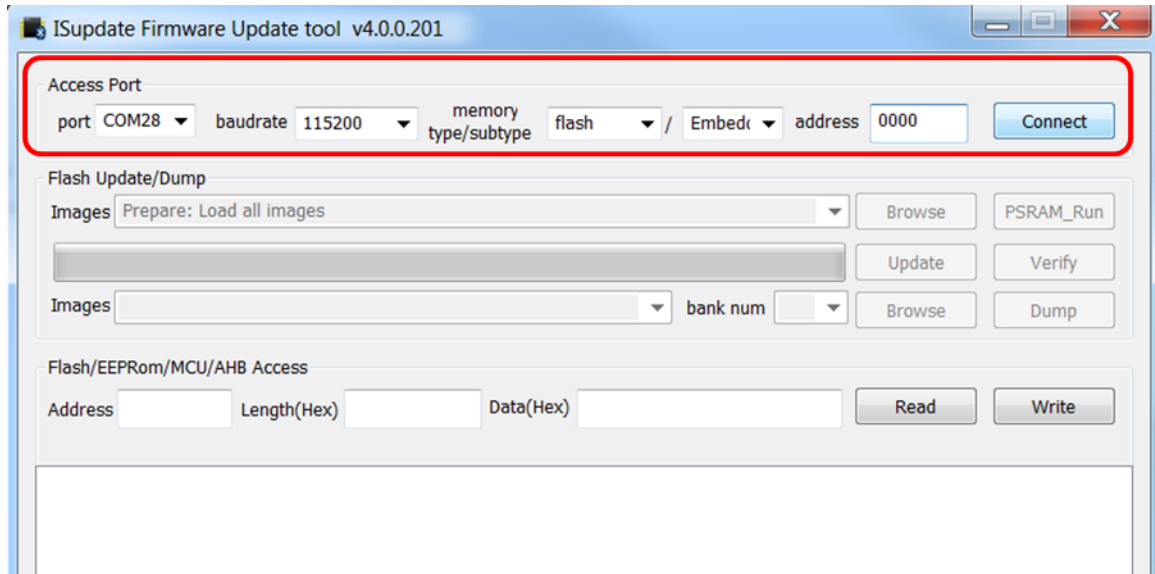
- While GPIO 9 of the gen4 PA is grounded, connect the GPIO10 (Reset) pin to Ground for a second and disconnect it (Reset) from Ground.



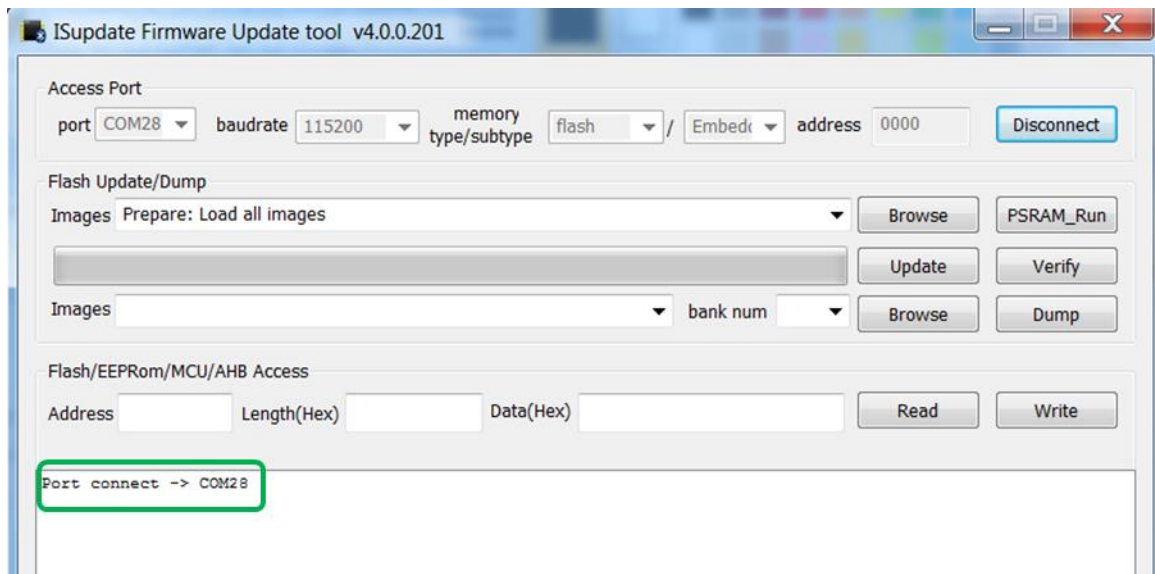
- Now disconnect GPIO 9 as well from Ground.



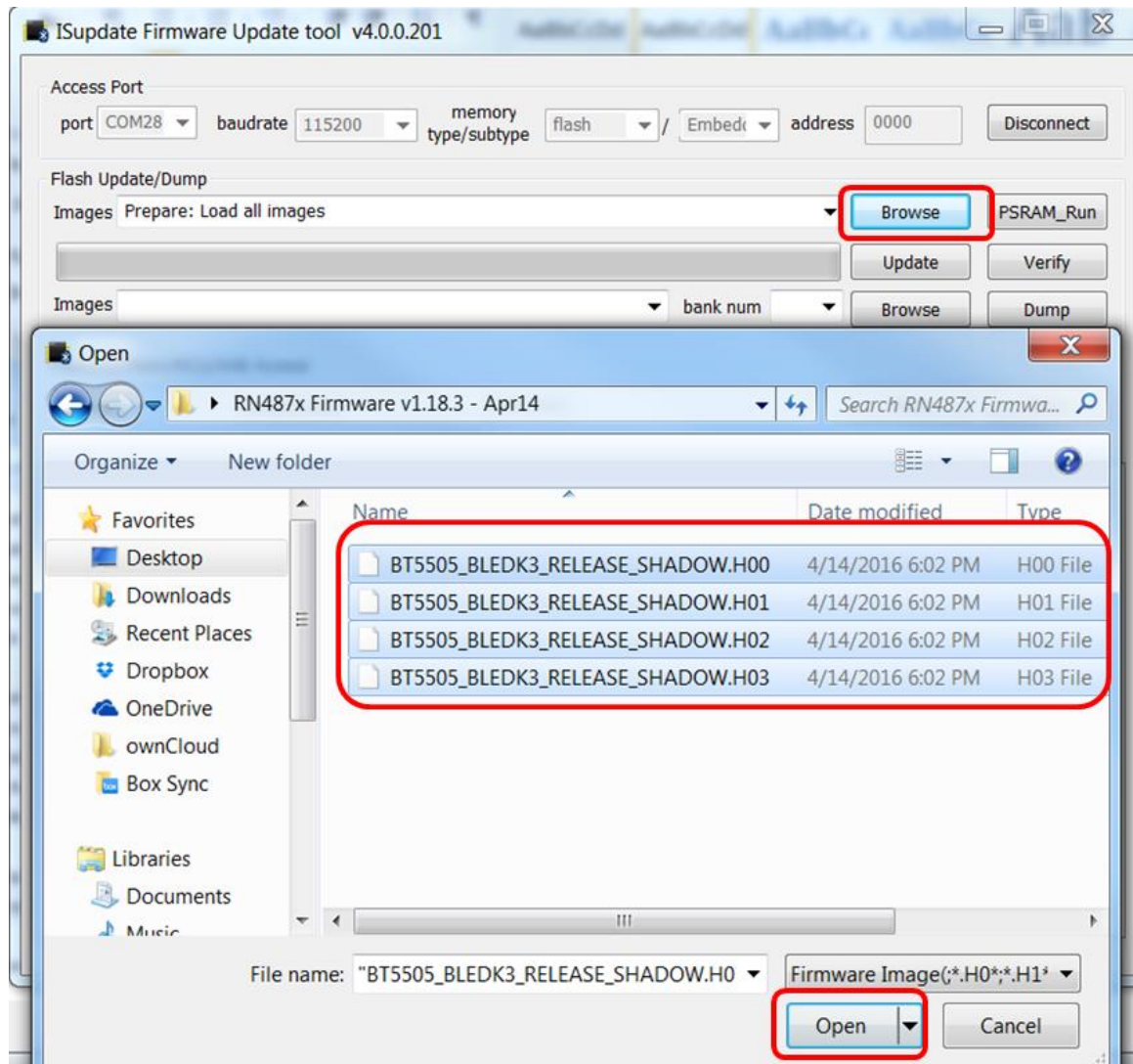
Please download the RN4870 firmware files from the MOTG-BLUETOOTH product page on the 4D Systems website. Extract the files to a known location on your hard drive that is easy to access. Run the IUpdate Programming Utility and set the baudrate to **115200** and the memory type to **Flash/Embedded**. Then check the com port of the 4D programming module and change it accordingly in the application.



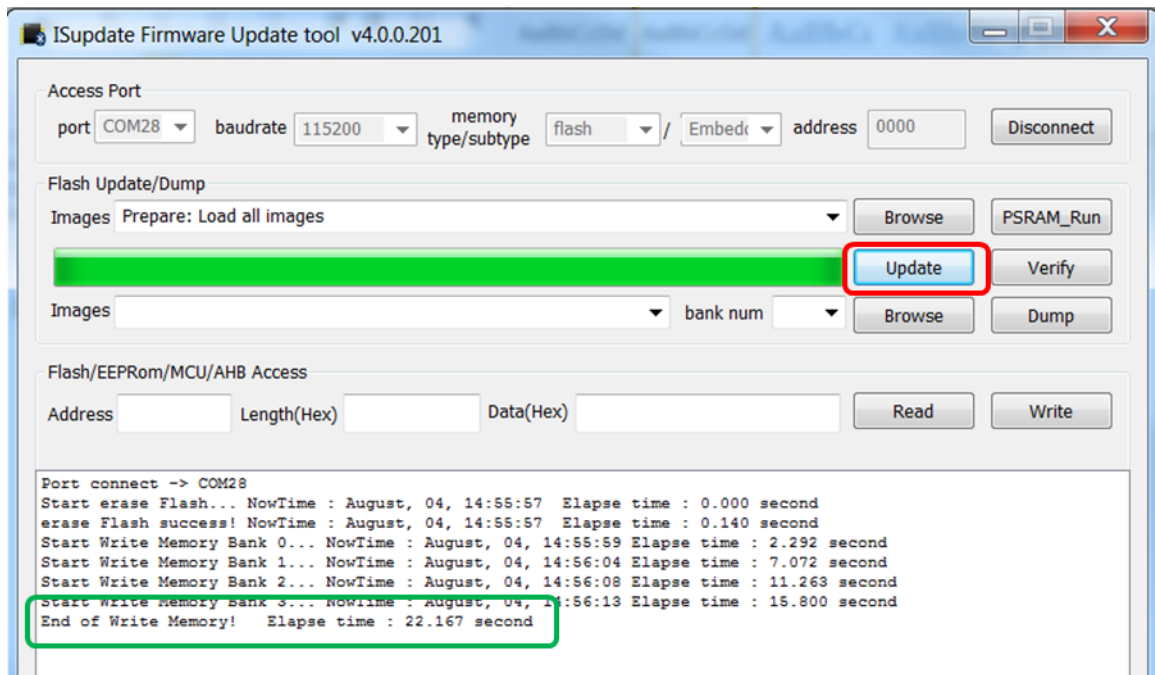
Click **Connect**. If the connection was successful, the application will confirm by printing the following message.



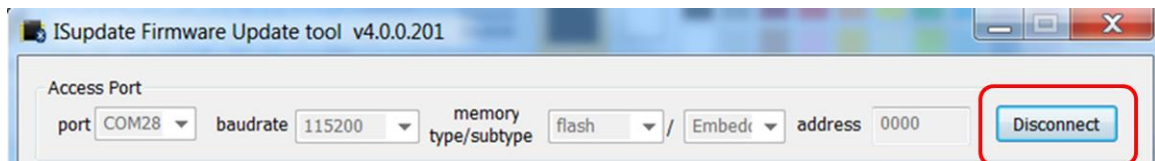
Click the **Browse** button and navigate to the folder where the firmware package was extracted to. Select all hex files and click **Open**.



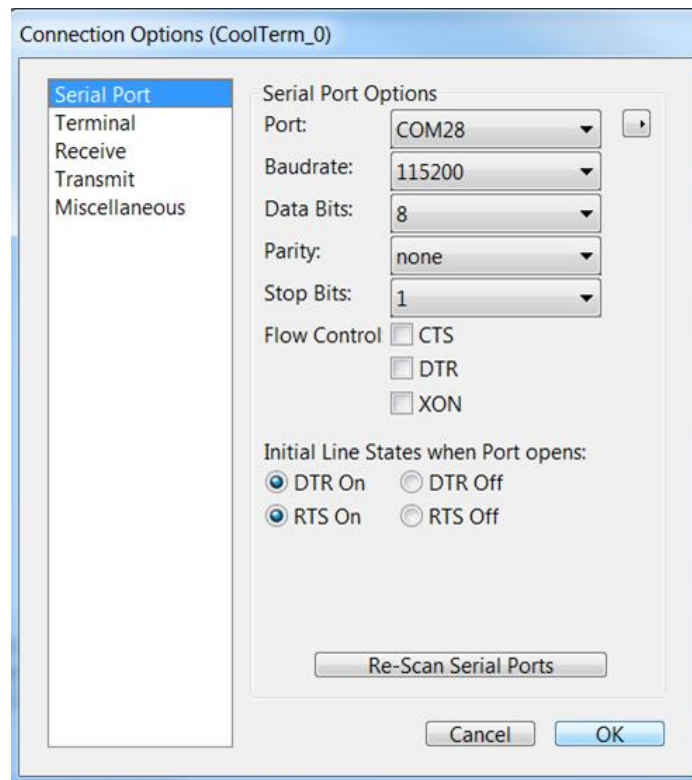
Click **Update**. Allow a few seconds for the update to complete.



Now you can disconnect and close the ISupdate tool.



The version of the firmware can be verified by opening a CoolTerm connection.



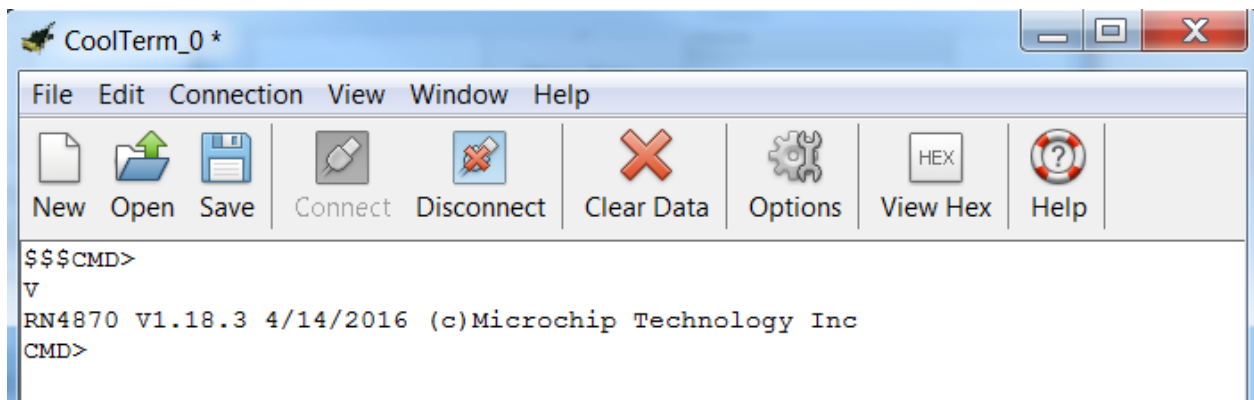
Ensure the details are correct as per the picture, and set to the following:

- Baudrate:** 115200
- Data Bits:** 8
- Parity:** None
- Stop Bits:** 1
- Flow Control:** None

In addition, the Local Echo has been turned on in the Terminal tab.

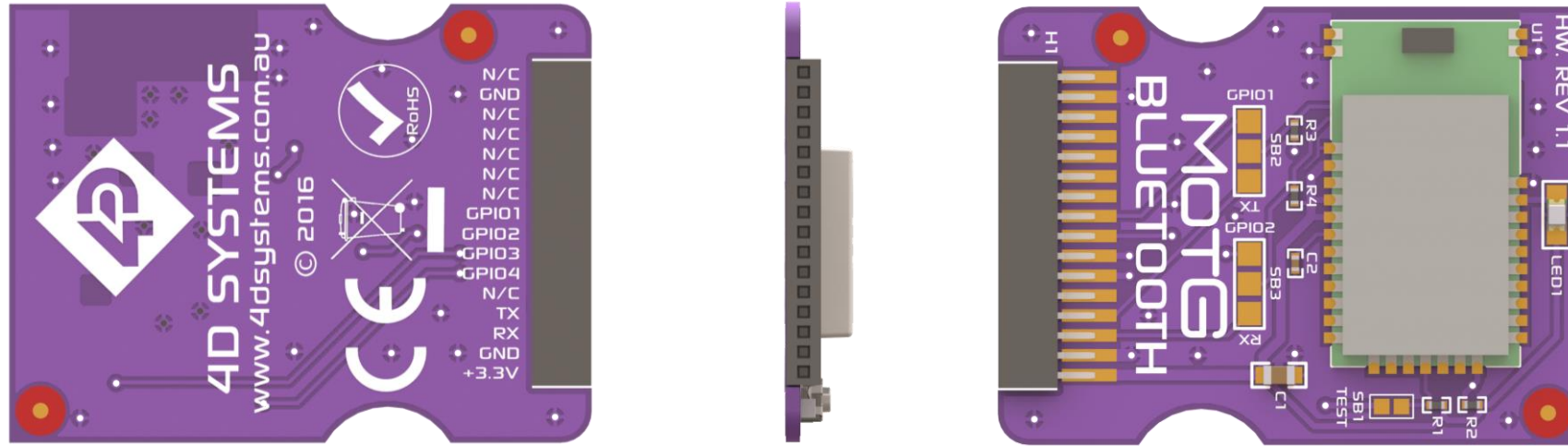
Now, enter the Command Mode and Verify Version using the following steps.

- Press \$ to enter Command Mode
- Press V to display firmware version.

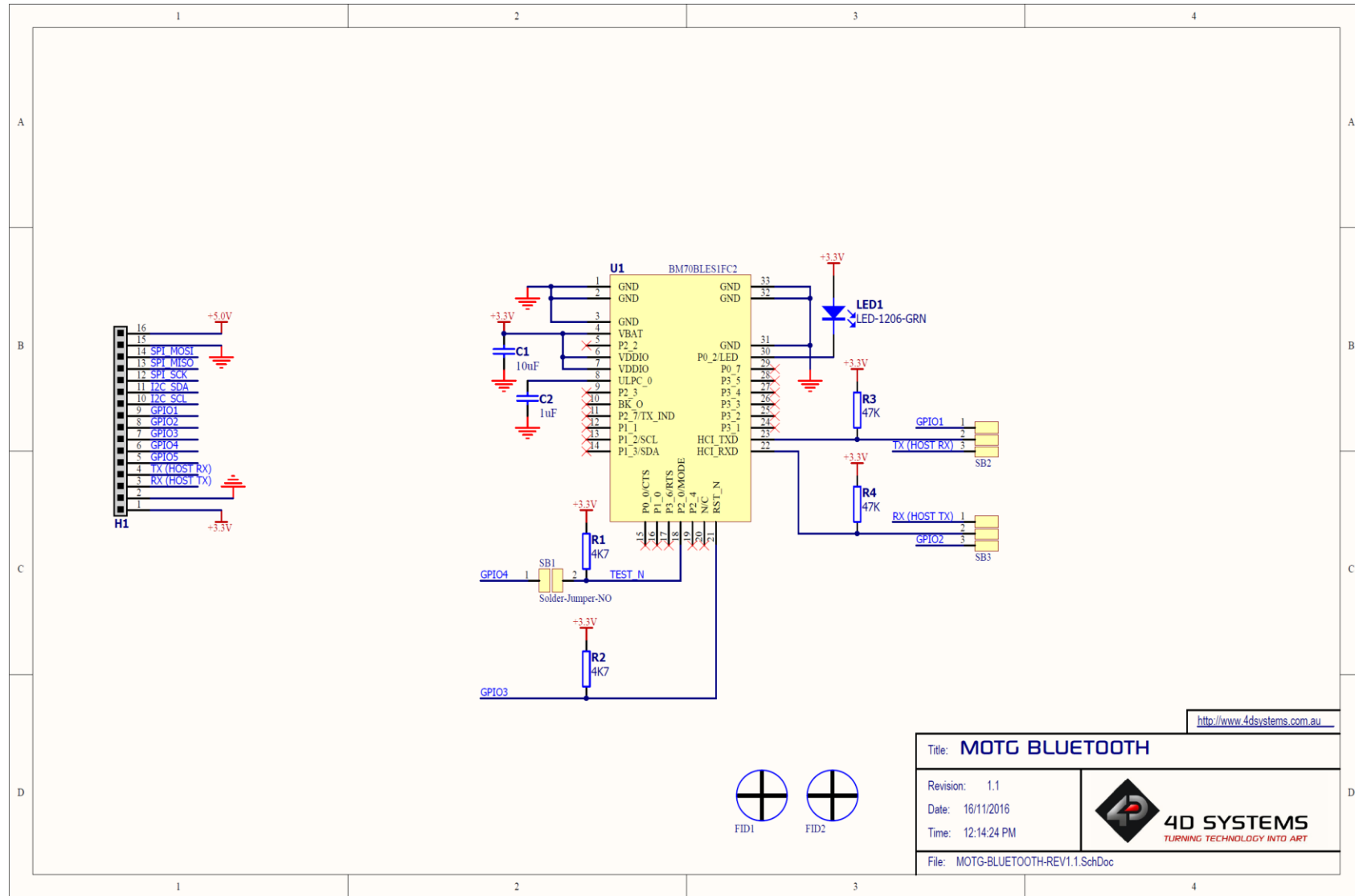


The above confirms that the Bluetooth module has been updated to version 1.18.3 of the firmware.

5.7. Mechanical Views



5.8. Schematic Details



5.9. Specifications

| RECOMMENDED OPERATING CONDITIONS | | | | | |
|----------------------------------|-----------------|---------|-----|---------|-------|
| Parameter | Conditions | Min | Typ | Max | Units |
| Supply Voltage (VCC) | Relative to VSS | 1.9 | 3.3 | 3.6 | V |
| Operating Temperature | | -20.0 | -- | 70.0 | °C |
| Storage Temperature | | -65.0 | | 150.0 | °C |
| Input Low Voltage (VIL) | All pins | VSS | -- | 0.3*VCC | V |
| Input High Voltage (VIH) | All pins | 0.7*VCC | -- | VCC | V |

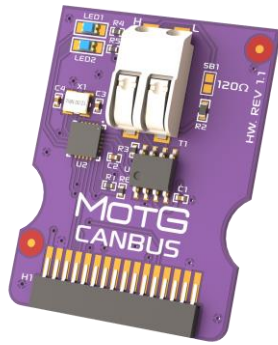
| GLOBAL CHARACTERISTICS BASED ON OPERATING CONDITIONS | | | | | |
|--|---|---------|-----|---------|-------|
| Parameter | Conditions | Min | Typ | Max | Units |
| Peak Current | TX mode, VCC = 3V, TX = 0 dBm, Buck mode | -- | -- | 13.0 | mA |
| | RX mode, VCC = 3V, Buck mode | -- | -- | 13.0 | mA |
| Standby Current | | 1.9 | -- | 2.9 | uA |
| Output Low Voltage (VOL) | | VSS | -- | 0.2*VCC | V |
| Output High Voltage (VOH) | | 0.8*VCC | -- | VCC | V |

5.10. Hardware Revision History

| Revision Number | Date | Description |
|-----------------|------------|--------------------------------|
| 1.1 | 23/09/2016 | Initial Public Release version |
| | | |
| | | |
| | | |
| | | |
| | | |
| | | |
| | | |
| | | |
| | | |
| | | |
| | | |
| | | |
| | | |
| | | |
| | | |
| | | |
| | | |
| | | |
| | | |
| | | |
| | | |
| | | |

End of MOTG-BLUETOOTH Datasheet

6. MOTG-CAN



6.1. Description

Controller Area Network (CAN Bus) is a multi-master communication network for various industrial and automotive applications. Unfortunately, most microcontroller does not have an on-board CAN Bus controller and transceiver.

MOTG-CAN provides a high speed and low-cost solution for incorporating a CAN bus controller and transceiver to your design.

6.2. Features

- Supports CAN V2.0B at 1 Mb/s operation
- Supports both 3.3V and 5V power supply
- Maximum of 112 nodes connected
- MCP2515 CAN Controller
 - ISO-11898 standard physical layer
 - High-speed SPI Interface (10 MHz)
- MCP2551 High-Speed CAN Transceiver
 - ISO-11898 standard physical layer
 - High-voltage transient protection
 - Short circuit protection

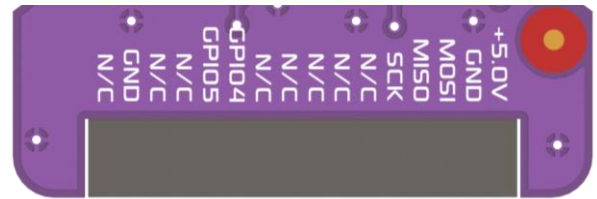
6.3. Chipset Features

MOTG-CAN carries the MCP2515 CAN controller and MCP2551 CAN Transceiver. The datasheets are available from <https://www.microchip.com>.

Please refer to these datasheets for specific information.

6.4. Pins and Solder Bridges

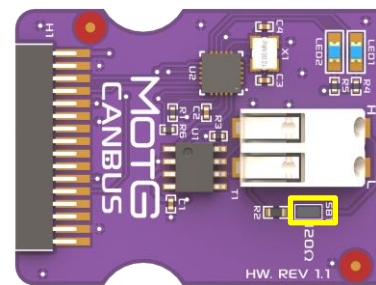
6.4.1 Pin Description



| Pin | Symbol | Description |
|-----|--------|-------------------------------|
| 1 | N/C | Not Connected |
| 2 | GND | Supply Ground |
| 3 | N/C | Not Connected |
| 4 | N/C | Not Connected |
| 5 | GPIO5 | Interrupt Pin (INT) |
| 6 | GPIO4 | Chip Select (CS) |
| 7 | N/C | Not Connected |
| 8 | N/C | Not Connected |
| 9 | N/C | Not Connected |
| 10 | N/C | Not Connected |
| 11 | N/C | Not Connected |
| 12 | SCK | Clock input for SPI interface |
| 13 | MISO | Data output for SPI interface |
| 14 | MOSI | Data input for SPI interface |
| 15 | GND | Supply Ground |
| 16 | 5.0V | 5.0V Input Supply |

6.4.2 Solder Bridge Description

The MOTG-CAN has one solder bridge. The functionality of those solder bridge is described in the table below. These are soldered by the User.



| Solder Bridge | Description |
|---------------|--------------------------|
| SB1 | Use terminating resistor |

Note:

Solder Bridge 1 (SB1) provides the option for using the terminating resistor (120-ohms) in the module.

6.5. Limitations with Diablo16

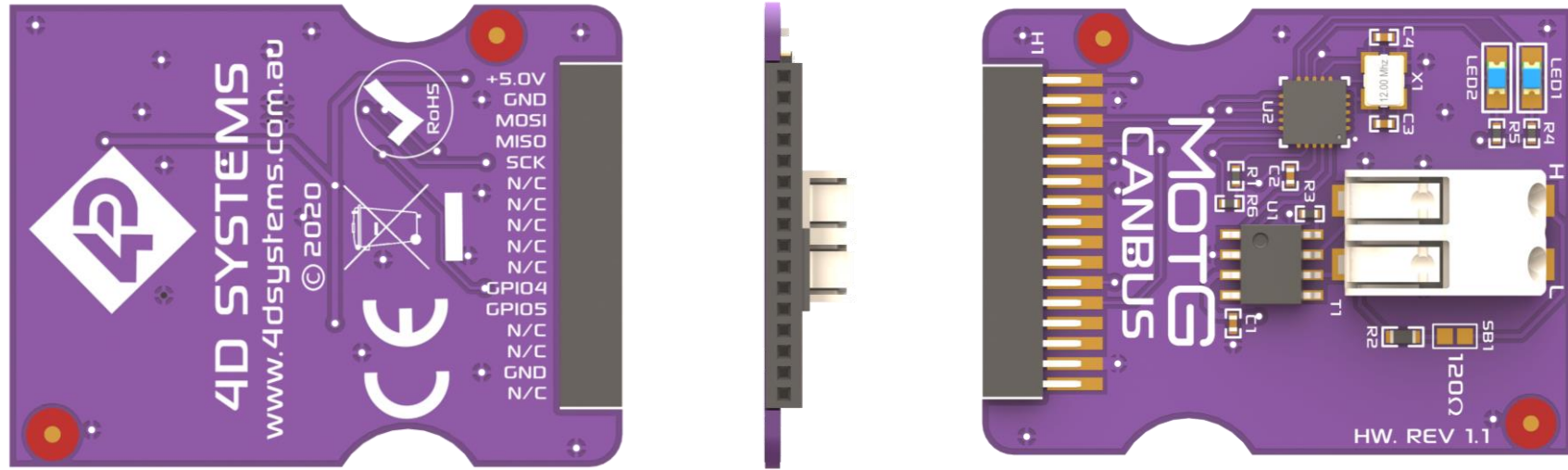
Due to limitations with GPIO pins PA12 and PA13 on Diablo modules, these pins are utilised for I2C by the Diablo modules themselves. This makes PA12 and PA13 not available to the SPI bus on MOTG, meaning all SPI MOTG modules are **not compatible** with Diablo based modules which feature external touch controllers. This includes this MOTG-CAN MOTG

This includes all Diablo modules with Capacitive Touch (CTP) – All sizes, and Resistive Touch modules on 4.3” and above.

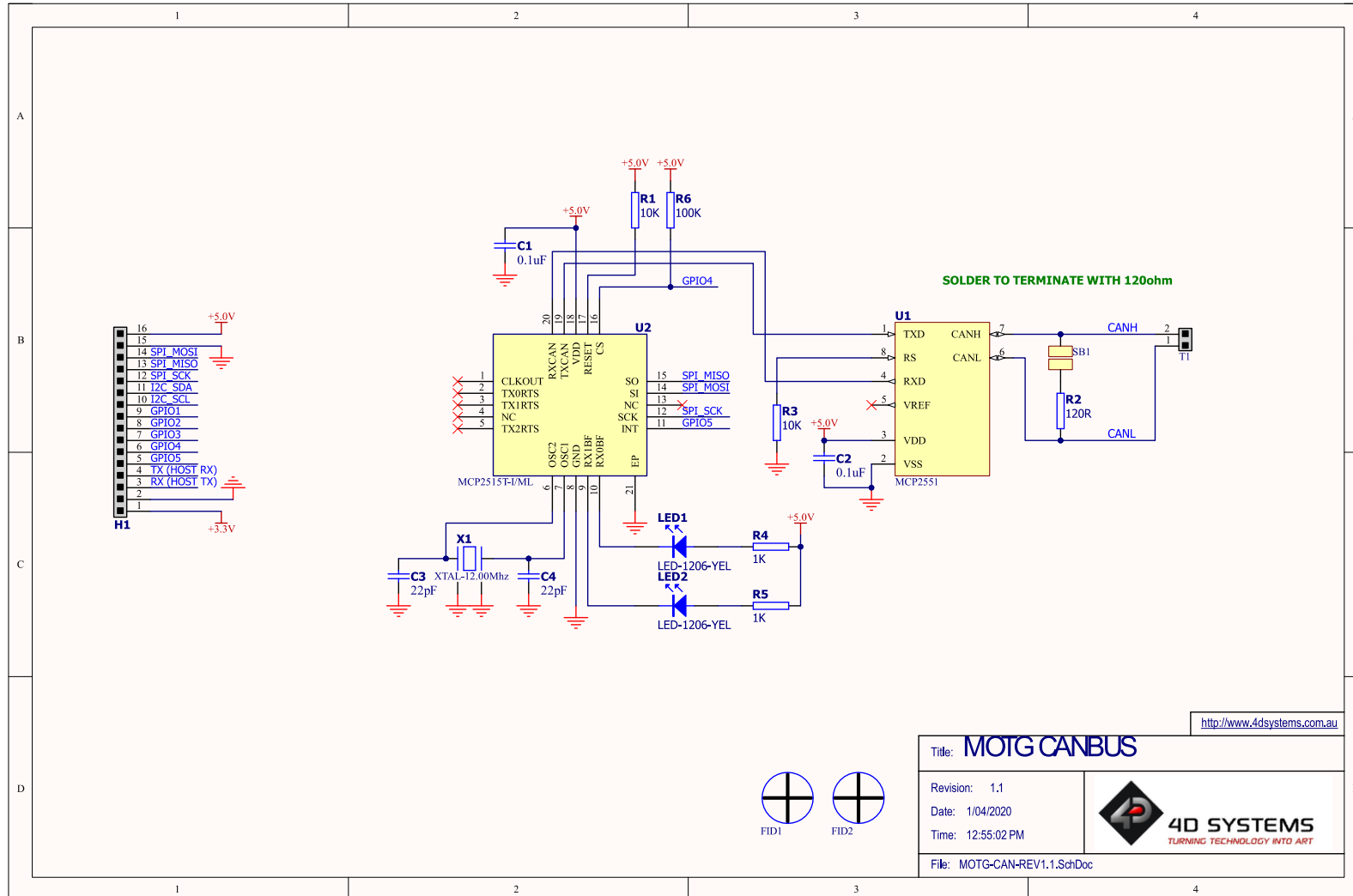
SPI MOTG modules are however compatible with Resistive Touch modules 2.4” to 3.5” as these do not feature an external RTP controller.

Applies to gen4 2.4” to 3.5” with board revisions 1.2 and lower, and gen4 4.3” to 7.0” with board revisions 1.5 and lower.

6.6. Mechanical Views



6.7. Schematic Details



6.8. Specifications

| RECOMMENDED OPERATING CONDITIONS | | | | | |
|----------------------------------|-----------------|-------|-----|-------|-------|
| Parameter | Conditions | Min | Typ | Max | Units |
| Supply Voltage (VCC) | Relative to VSS | 4.5 | 5.0 | 5.5 | V |
| Operating Temperature | | -20.0 | -- | 70.0 | °C |
| Storage Temperature | | -65.0 | | 150.0 | °C |

| GLOBAL CHARACTERISTICS BASED ON OPERATING CONDITIONS | | | | | |
|--|---|-----|-----|-----|-------|
| Parameter | Conditions | Min | Typ | Max | Units |
| Operating Current | Typical – Please refer to Chip Datasheets | -- | 85 | -- | mA |
| Standby Current | Typical – Please refer to Chip Datasheets | -- | 13 | -- | uA |

Please refer to the Datasheets of the MCP2515 and MCP2551 for more specific information.

7. gen4-MOTG-AC1



7.3. Pin Description



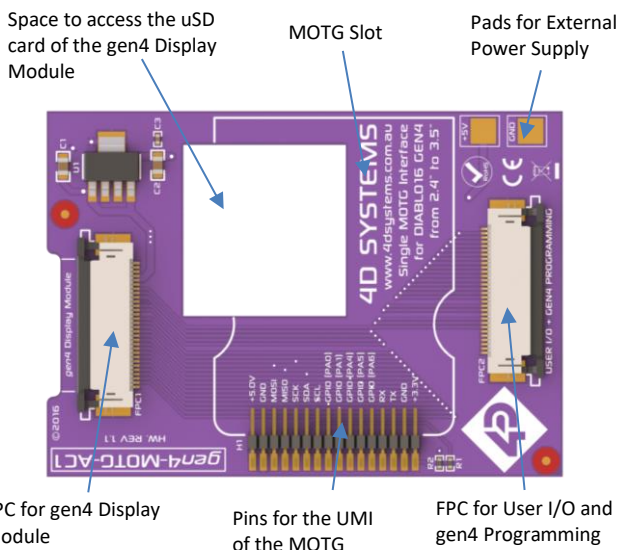
7.1. Description

The gen4-MOTG-AC1 Interface Board allows easy interface of a MOTG module to Diablo16-based gen4 display modules. The board carries one UMI-compatible MOTG slot which acts as an extension to the display module providing plug-and-play interface with MOTG.

The interface board is designed to sit flush on the back of the Diablo16 2.4" to 3.5" display modules enabling sleek and compact designs.

It also features a 30 pin ZIF socket, for easy connection to application boards for further functionality advancement.

7.2. Hardware Overview



| Pin | Symbol | Description |
|-----|--------|---|
| 1 | 3.3V | 3.3V Input Supply |
| 2 | GND | Supply Ground |
| 3 | TX | Asynchronous Serial Receive Pin connected to PA3 of gen4 Display Module |
| 4 | RX | Asynchronous Serial Transmit Pin connected to PA2 of the gen4 Display Module |
| 5 | GPIO5 | General Purpose Input Output Pin connected to PA6 of the Display. |
| 6 | GPIO4 | General Purpose Input Output Pin connected to PA5 of the Display. |
| 7 | GPIO3 | General Purpose Input Output Pin connected to PA4 of the Display. |
| 8 | GPIO2 | General Purpose Input Output Pin connected to PA1 of the Display. |
| 9 | GPIO1 | General Purpose Input Output Pin connected to PA0 of the Display. |
| 10 | SCL | I ² C Clock Pin connected to PA9 of the gen4 Display Module |
| 11 | SDA | I ² C Data Pin connected to PA10 of the gen4 Display Module |
| 12 | SCK | SPI Clock Pin connected to PA13 of the Display (see NOTE) |
| 13 | MISO | SPI Master In Slave Out Pin connected to PA11 of the Display |
| 14 | MOSI | SPI Master Out Slave In Pin connected to PA12 of the Display (see NOTE) |
| 15 | GND | Supply Ground |
| 16 | 5.0V | 5V Input Supply |

NOTE: Due to limitations with GPIO pins PA12 and PA13 on Diablo modules, these pins are utilised for I2C by the Diablo modules themselves. This makes PA12 and PA13 not available to the SPI bus on MOTG, meaning all SPI MOTG modules are **not compatible** with Diablo based modules which feature external touch controllers.

This includes all Diablo modules with Capacitive Touch (CTP) – All sizes, and Resistive Touch modules on 4.3” and above.

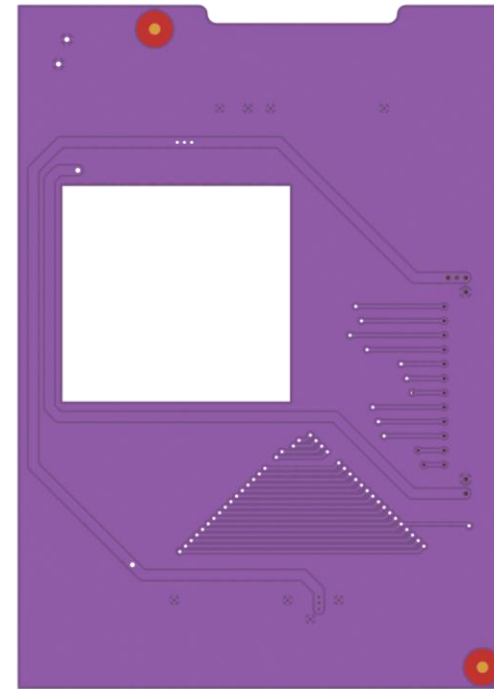
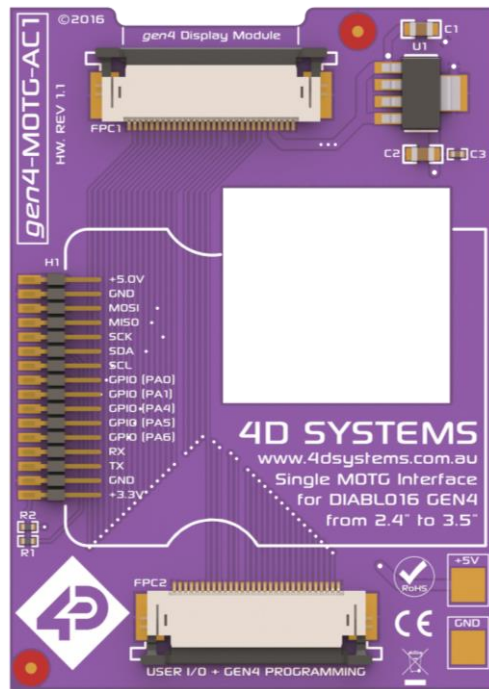
SPI MOTG modules are however compatible with Resistive Touch modules 2.4” to 3.5” as these do not feature an external RTP controller.

Applies to gen4 2.4” to 3.5” with board revisions 1.2 and lower, and gen4 4.3” to 7.0” with board revisions 1.5 and lower.

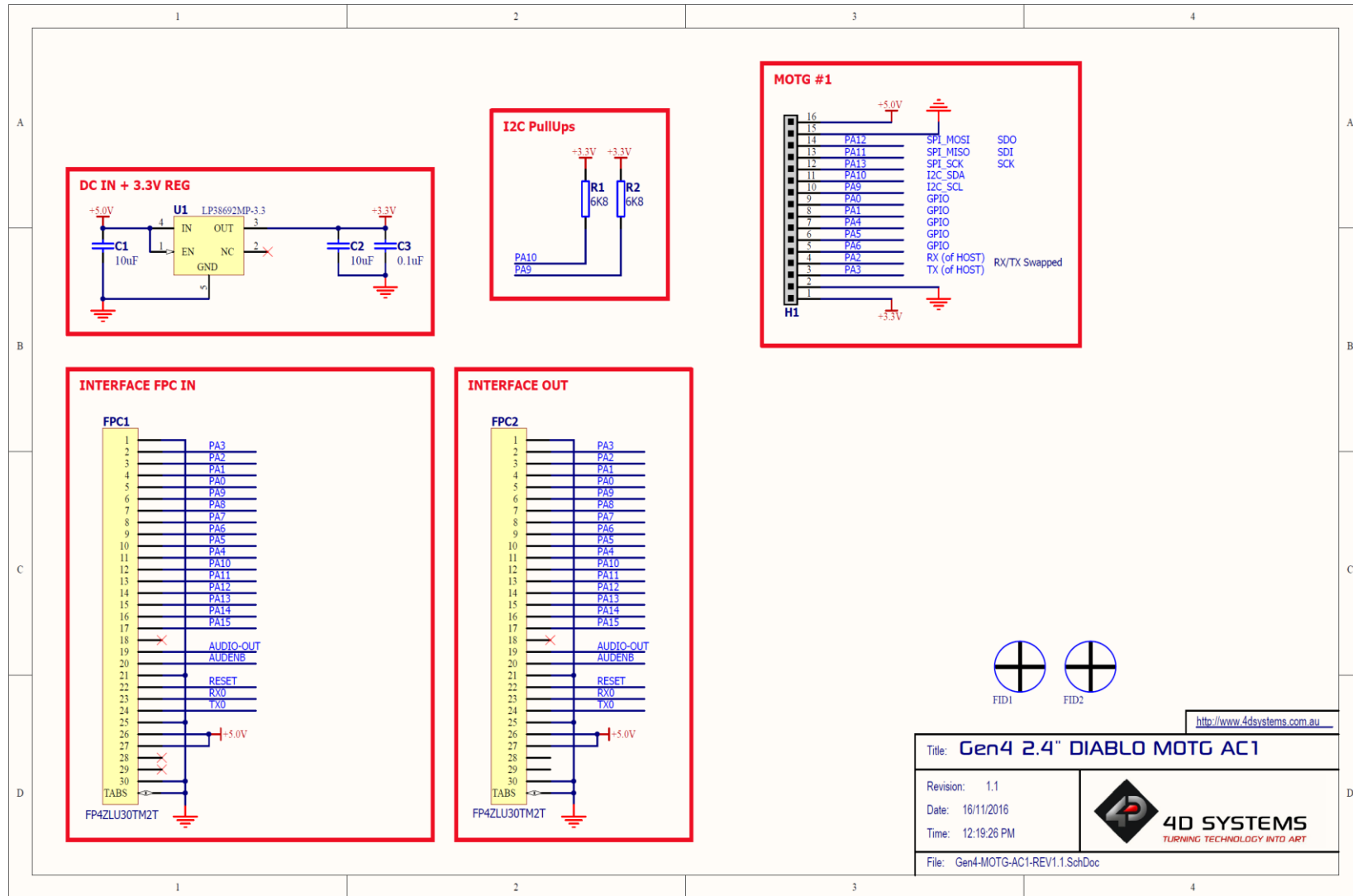
7.4. Accessing pins of MOTG via gen4-PA

| Pin | UMI | gen4-PA |
|-----|--------|---------------|
| | Symbol | Symbol |
| 1 | 3.3V | NA |
| 2 | GND | GND |
| 3 | TX | GPIO1 (PA3) |
| 4 | RX | GPIO2 (PA2) |
| 5 | GPIO5 | GPIO8 (PA6) |
| 6 | GPIO4 | GPIO9 (PA5) |
| 7 | GPIO3 | GPIO10 (PA4) |
| 8 | GPIO2 | GPIO3 (PA1) |
| 9 | GPIO1 | GPIO4 (PA0) |
| 10 | SCL | GPIO5 (PA9) |
| 11 | SDA | GPIO11 (PA10) |
| 12 | SCK | GPIO14 (PA13) |
| 13 | MISO | GPIO12 (PA11) |
| 14 | MOSI | GPIO13 (PA12) |
| 15 | GND | GND |
| 16 | 5.0V | +5V |

7.5. Mechanical Views



7.6. Schematic Details



<http://www.4dsystems.com.au>

Title: **Gen4 2.4" DIABLO MOTG AC1**

Revision: 1.1

Date: 16/11/2016

Time: 12:19:26 PM

File: Gen4-MOTG-AC1-REV1.1.SchDoc

4D SYSTEMS
TURNING TECHNOLOGY INTO ART

8. gen4-MOTG-AC2

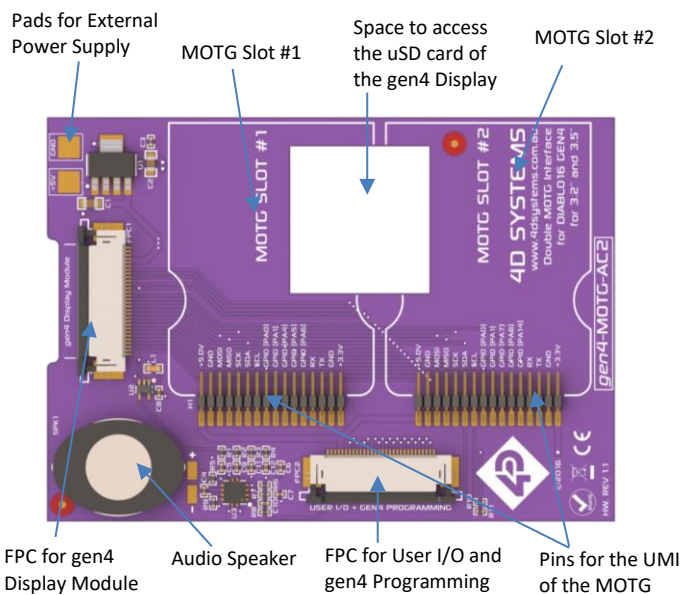


8.1. Description

The gen4-MOTG-AC2 Interface Board allows easy interface of a MOTG module to Diablo16-based gen4 display modules. The board carries two UMI-compatible MOTG slots which act as an extension to the display module providing plug-and-play interface with MOTG.

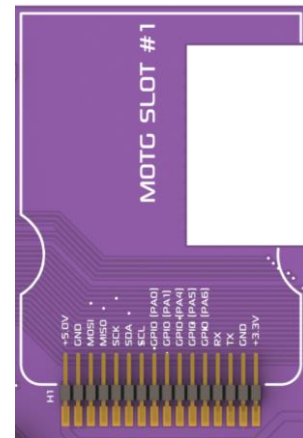
The interface board is designed to sit flush on the back of the Diablo16 3.2" and 3.5" display modules enabling sleek and compact designs. It also features a 30 pin ZIF socket, for easy connection to application boards for a further functionality advancement.

8.2. Hardware Overview



8.3. Pin Description

8.3.1 MOTG Slot #1 Pin Description



| Pin | Symbol | Description |
|-----|--------|--|
| 1 | 3.3V | 3.3V Input Supply |
| 2 | GND | Supply Ground |
| 3 | TX | Asynchronous Serial Receive Pin connected to PA3 of gen4 Display Module |
| 4 | RX | Asynchronous Serial Transmit Pin connected to PA2 of the gen4 Display Module |
| 5 | GPIO5 | General Purpose Input Output Pin connected to PA6 of the Display. |
| 6 | GPIO4 | General Purpose Input Output Pin connected to PA5 of the Display. |
| 7 | GPIO3 | General Purpose Input Output Pin connected to PA4 of the Display. |
| 8 | GPIO2 | General Purpose Input Output Pin connected to PA1 of the Display. |
| 9 | GPIO1 | General Purpose Input Output Pin connected to PA0 of the Display. |
| 10 | SCL | I ² C Clock Pin connected to PA9 of the gen4 Display Module |
| 11 | SDA | I ² C Data Pin connected to PA10 of the gen4 Display Module |
| 12 | SCK | SPI Clock Pin connected to PA13 of the Display (see Note) |
| 13 | MISO | SPI Master In Slave Out Pin connected to PA11 of the Display |
| 14 | MOSI | SPI Master Out Slave In Pin connected to PA12 of the Display (see Note) |
| 15 | GND | Supply Ground |
| 16 | 5.0V | 5V Input Supply |

8.3.2 MOTG Slot #2 Pin Description



| Pin | Symbol | Description |
|-----|--------|--|
| 1 | 3.3V | 3.3V Input Supply |
| 2 | GND | Supply Ground |
| 3 | TX | Asynchronous Serial Receive Pin connected to PA3 of gen4 Display Module |
| 4 | RX | Asynchronous Serial Transmit Pin connected to PA2 of the gen4 Display Module |
| 5 | GPIO5 | General Purpose Input Output Pin connected to PA14 of the Display. |
| 6 | GPIO4 | General Purpose Input Output Pin connected to PA8 of the Display. |
| 7 | GPIO3 | General Purpose Input Output Pin connected to PA7 of the Display. |
| 8 | GPIO2 | General Purpose Input Output Pin connected to PA1 of the Display. |
| 9 | GPIO1 | General Purpose Input Output Pin connected to PA0 of the Display. |
| 10 | SCL | I ² C Clock Pin connected to PA9 of the gen4 Display Module |
| 11 | SDA | I ² C Data Pin connected to PA10 of the gen4 Display Module |
| 12 | SCK | SPI Clock Pin connected to PA13 of the Display (see Note) |
| 13 | MISO | SPI Master In Slave Out Pin connected to PA11 of the Display |
| 14 | MOSI | SPI Master Out Slave In Pin connected to PA12 of the Display (see Note) |
| 15 | GND | Supply Ground |
| 16 | 5.0V | 5V Input Supply |

8.4. Communication

Both slots of the gen4-MOTG-AC2 facilitate communication between the display module and the MOTG modules using UART, SPI or I2C communication protocol. Below are a few tips that might be useful when using two MOTG modules with the same communication protocol.

8.4.1 UART

TX (Pin3) and RX (Pin4) of the UMI enable UART communication. However, UART pins for both slots are connected to the same pins of the display modules as shown in **Pin Description**.

For all MOTG modules requiring UART communication, the hardware is designed to allow the UART pins to be connected to either TX, RX or GPIO1, GPIO2 of the UMI. This is could be achieved by shorting the respective sides of the solder bridges. Hence, one of the MOTGs could use the GPIO1 and GPIO2 pins, while the other could use the TX and RX pins, making serial communication with both MOTG possible.

8.4.2 SPI

SCK (Pin12), MISO (Pin13) and MOSI (Pin14) of the UMI permit SPI communication. The SPI communication pins of both slots are connected to the SPI pins of the gen4 display module. The slave- or chip-select pins could then be utilised by the display module to communicate to a specific MOTG module.

NOTE: Due to limitations with GPIO pins PA12 and PA13 on Diablo modules, these pins are utilised for I2C by the Diablo modules themselves. This makes PA12 and PA13 not available to the SPI bus on MOTG, meaning all SPI MOTG modules are **not compatible** with Diablo based modules which feature external touch controllers.

This includes all Diablo modules with Capacitive Touch (CTP) – All sizes, and Resistive Touch modules on 4.3” and above.

SPI MOTG modules are however compatible with Resistive Touch modules 2.4” to 3.5” as these do not feature an external RTP controller.

Applies to gen4 2.4” to 3.5” with board revisions 1.2 and lower, and gen4 4.3” to 7.0” with board revisions 1.5 and lower.

8.4.3 I2C

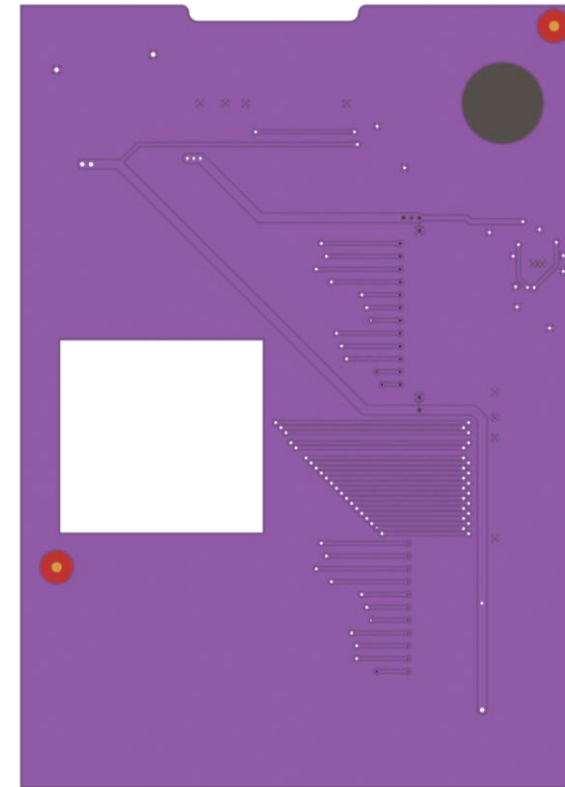
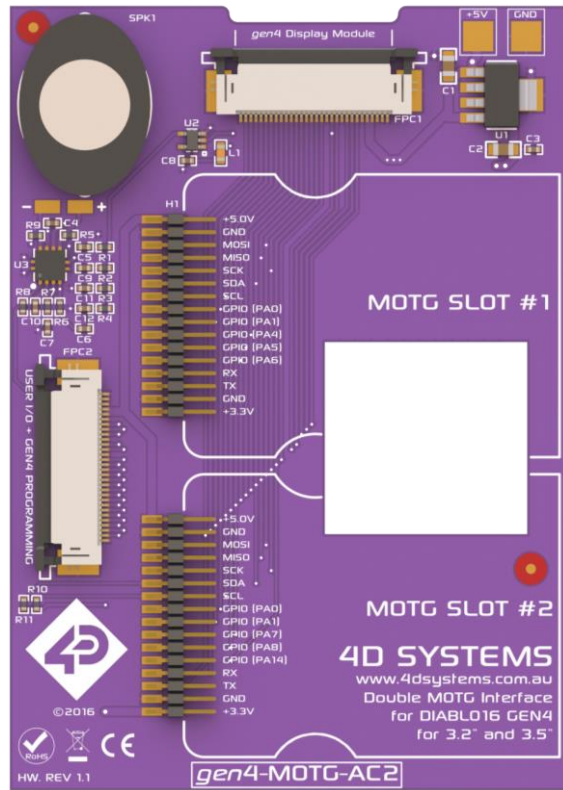
SCL (Pin10) and SDA (Pin11) of the UMI are responsible for I2C communication. The I2C communication pins of both slots are connected to the I2C pins of the gen4 display module. The host could then select the desired MOTG module by using the correct slave address.

8.5. Accessing MOTG pins via gen4-PA

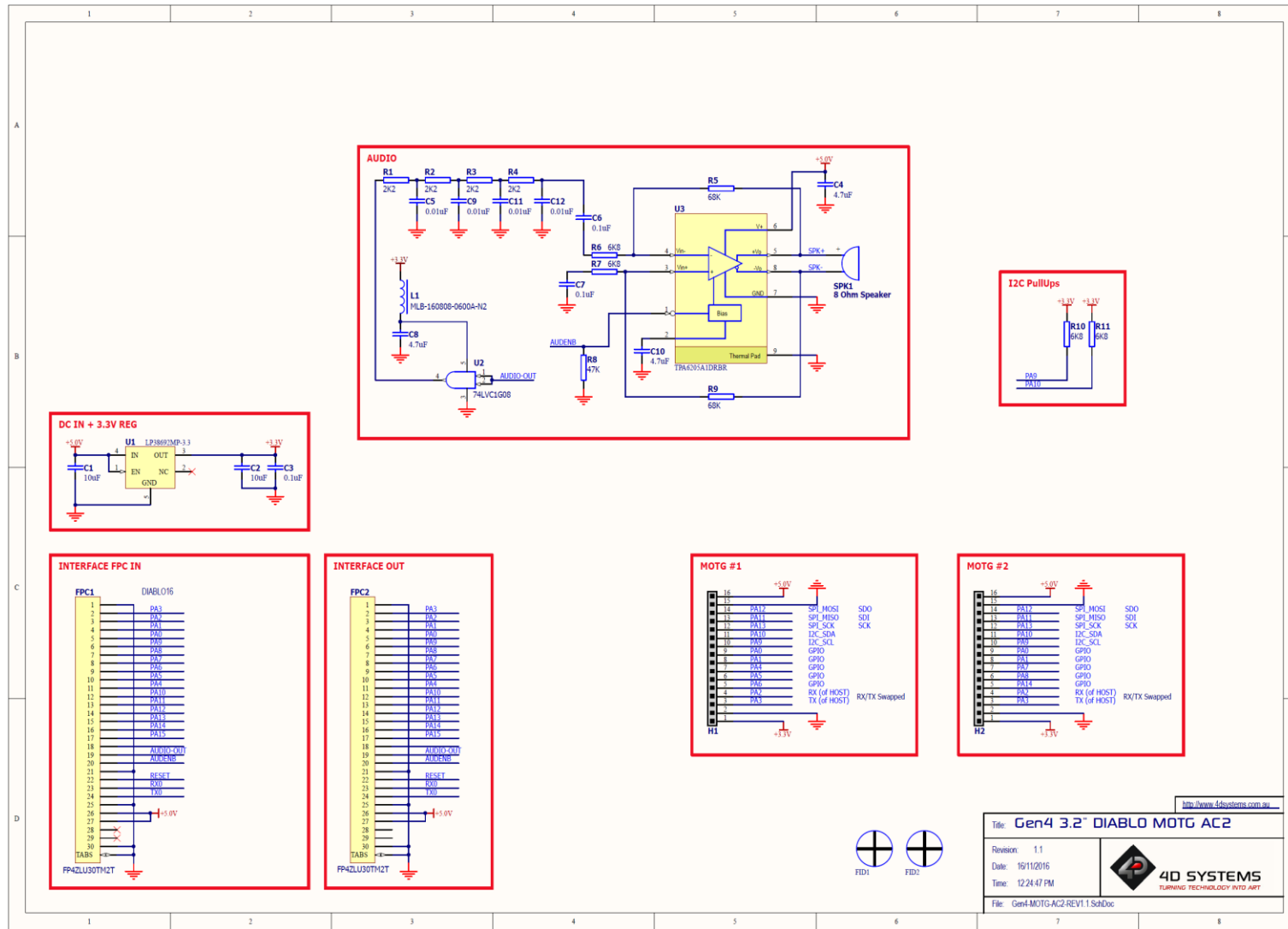
| UMI (MOTG Slot 1) | | gen4-PA |
|-------------------|--------|---------------|
| Pin | Symbol | Symbol |
| 1 | 3.3V | NA |
| 2 | GND | GND |
| 3 | TX | GPIO1 (PA3) |
| 4 | RX | GPIO2 (PA2) |
| 5 | GPIO5 | GPIO8 (PA6) |
| 6 | GPIO4 | GPIO9 (PA5) |
| 7 | GPIO3 | GPIO10 (PA4) |
| 8 | GPIO2 | GPIO3 (PA1) |
| 9 | GPIO1 | GPIO4 (PA0) |
| 10 | SCL | GPIO5 (PA9) |
| 11 | SDA | GPIO11 (PA10) |
| 12 | SCK | GPIO14 (PA13) |
| 13 | MISO | GPIO12 (PA11) |
| 14 | MOSI | GPIO13 (PA12) |
| 15 | GND | GND |
| 16 | 5.0V | +5V |

| UMI (MOTG Slot 2) | | gen4-PA |
|-------------------|--------|---------------|
| Pin | Symbol | Symbol |
| 1 | 3.3V | NA |
| 2 | GND | GND |
| 3 | TX | GPIO1 (PA3) |
| 4 | RX | GPIO2 (PA2) |
| 5 | GPIO5 | GPIO15 (PA14) |
| 6 | GPIO4 | GPIO6 (PA8) |
| 7 | GPIO3 | GPIO7 (PA7) |
| 8 | GPIO2 | GPIO3 (PA1) |
| 9 | GPIO1 | GPIO4 (PA0) |
| 10 | SCL | GPIO5 (PA9) |
| 11 | SDA | GPIO11 (PA10) |
| 12 | SCK | GPIO14 (PA13) |
| 13 | MISO | GPIO12 (PA11) |
| 14 | MOSI | GPIO13 (PA12) |
| 15 | GND | GND |
| 16 | 5.0V | +5V |

8.6. Mechanical Views



8.7. Schematic Details



<http://www.4dsystems.com.au>
Title: Gen4 3.2" DIABLO MOTG AC2
 Revision: 1.1
 Date: 16/11/2016
 Time: 12:24:47 PM
4D SYSTEMS
 TURNING TECHNOLOGY INTO ART
 File: Gen4-MOTG-AC2-REV1.1.SchDoc

8.8. Specifications

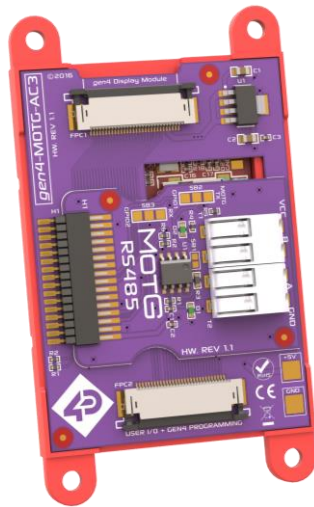
| RECOMMENDED CONDITIONS | | | | | |
|--------------------------|------------------------|-------|-----|-------|-------|
| Parameter | Conditions | Min | Typ | Max | Units |
| Supply Voltage | | -- | 5.0 | -- | V |
| Supply Current | | 12.0 | -- | 1500 | mA |
| Operating Temperature | | -20.0 | -- | 70.0 | °C |
| Storage Temperature | | -65.0 | -- | 150.0 | |
| Audio Pin (PWM) | AUDIO-OUT (Pin 19 FPC) | -- | 3.3 | -- | v |
| Input Low Voltage (VIL) | AUDENB (Pin 20 FPC) | -- | -- | 0.5 | V |
| Input High Voltage (VIH) | AUDENB (Pin 20 FPC) | 1.15 | -- | -- | V |

8.9. Hardware Revision History

| Revision Number | Date | Description |
|-----------------|------------|--------------------------------|
| 1.1 | 16/11/2016 | Initial Public Release version |
| | | |
| | | |
| | | |
| | | |
| | | |
| | | |
| | | |
| | | |
| | | |
| | | |
| | | |
| | | |
| | | |
| | | |
| | | |
| | | |
| | | |
| | | |
| | | |
| | | |
| | | |
| | | |
| | | |
| | | |
| | | |

End of gen4-MOTG-AC2 Datasheet

9. gen4-MOTG-AC3



9.1. Description

The gen4-MOTG-AC3 Interface Board allows easy interface of a MOTG module to Picaso-based gen4 display modules. The board carries one UMI-compatible MOTG slot which acts as an extension to the display module providing plug-and-play interface with MOTG.

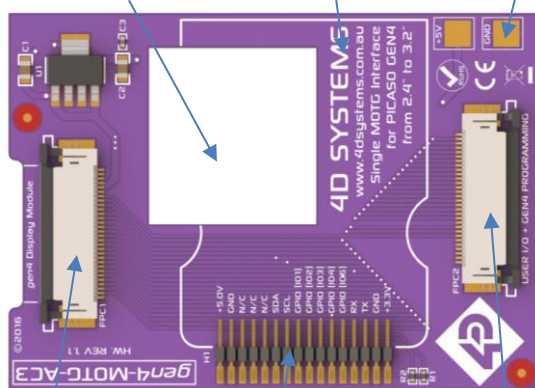
The interface board is designed to sit flush on the back of the Picaso 2.4" to 3.2" display modules enabling sleek and compact designs. It also features a 30 pin ZIF socket, for easy connection to application boards for a further functionality advancement.

9.2. Hardware Overview

Space to access the USD card of the gen4 Display Module

MOTG Slot

Pads for External Power Supply



FPC for gen4 Display Module

Pins for the UMI of the MOTG

FPC for User I/O and gen4 Programming

9.3. Pin Description

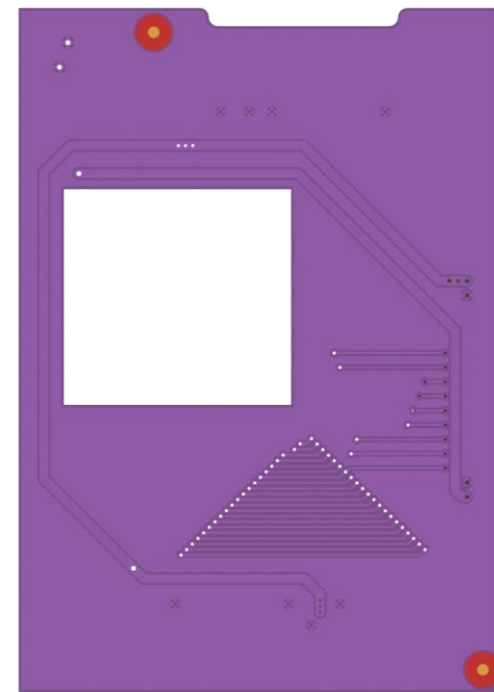
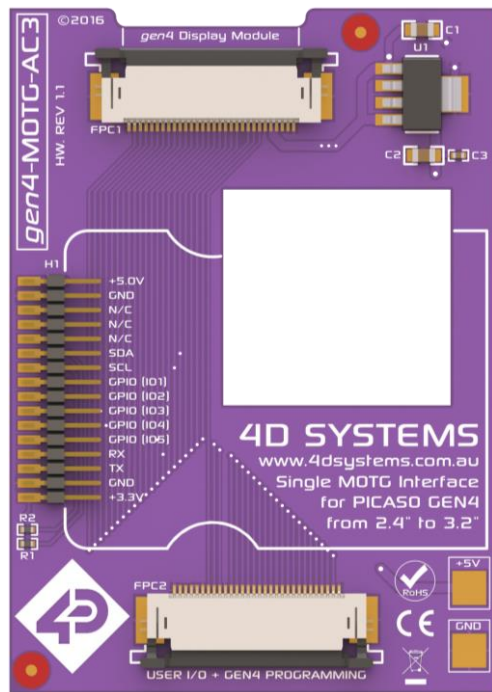


| Pin | Symbol | Description |
|-----|--------|--|
| 1 | 3.3V | 3.3V Input Supply |
| 2 | GND | Supply Ground |
| 3 | TX | Asynchronous Serial Receive Pin connected to TX1 of gen4 Display Module |
| 4 | RX | Asynchronous Serial Transmit Pin connected to RX1 of the gen4 Display Module |
| 5 | GPIO5 | General Purpose Input Output Pin connected to IO5 of the Display. |
| 6 | GPIO4 | General Purpose Input Output Pin connected to IO4 of the Display. |
| 7 | GPIO3 | General Purpose Input Output Pin connected to IO3 of the Display. |
| 8 | GPIO2 | General Purpose Input Output Pin connected to IO2 of the Display. |
| 9 | GPIO1 | General Purpose Input Output Pin connected to IO1 of the Display. |
| 10 | SCL | I ² C Clock Pin connected to SCL of the gen4 Display Module |
| 11 | SDA | I ² C Data Pin connected to SDA of the gen4 Display Module |
| 12 | N/C | No Connect |
| 13 | N/C | No Connect |
| 14 | N/C | No Connect |
| 15 | GND | Supply Ground |
| 16 | 5.0V | 5V Input Supply |

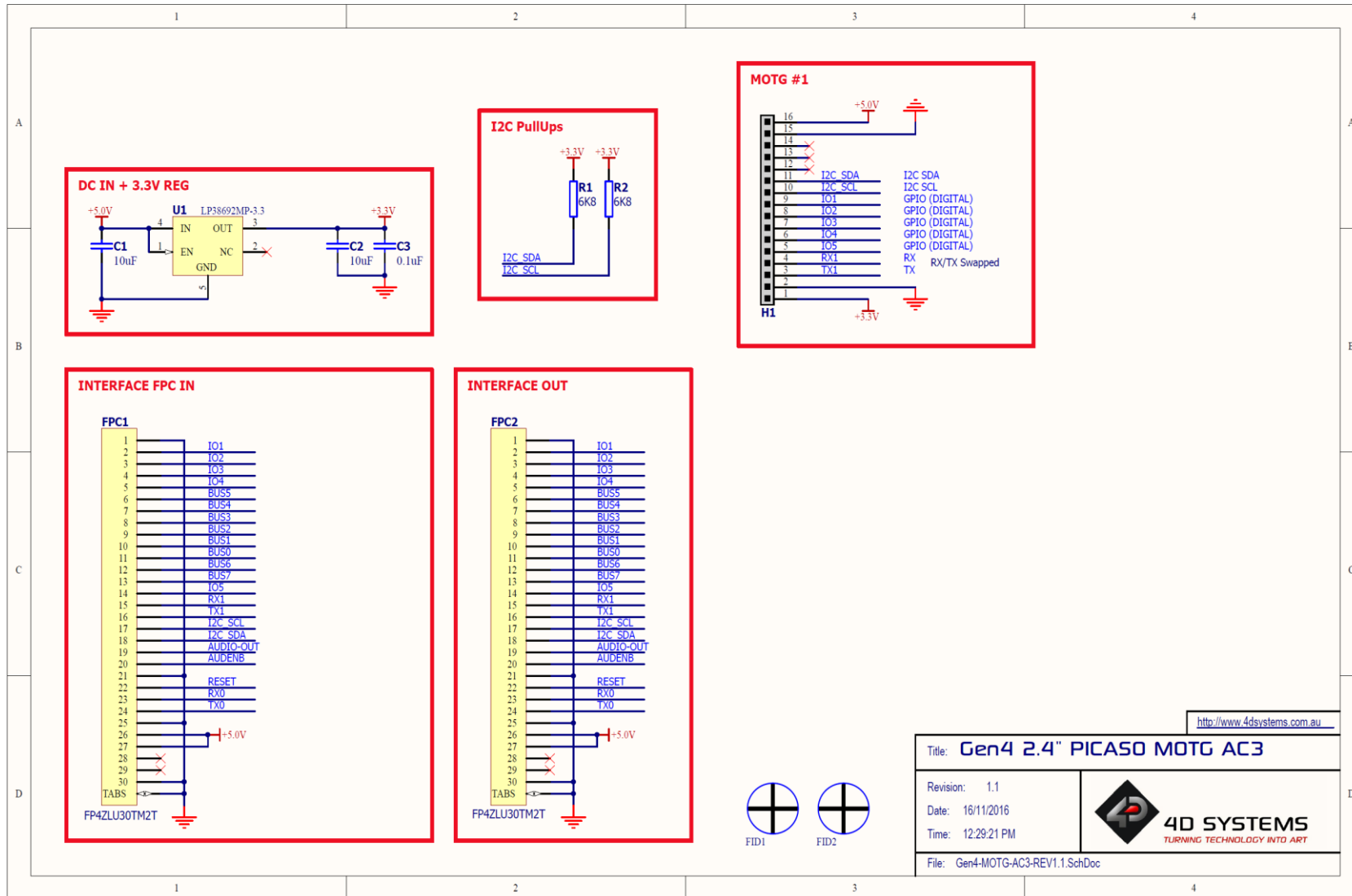
9.4. Accessing pins of MOTG via gen4-PA

| Pin | UMI | gen4-PA |
|-----|--------|--------------|
| | Symbol | Symbol |
| 1 | 3.3V | NA |
| 2 | GND | GND |
| 3 | TX | GPIO15 (TX1) |
| 4 | RX | GPIO14 (RX1) |
| 5 | GPIO5 | GPIO13 (IO5) |
| 6 | GPIO4 | GPIO4 (IO4) |
| 7 | GPIO3 | GPIO3 (IO3) |
| 8 | GPIO2 | GPIO2 (IO2) |
| 9 | GPIO1 | GPIO1 (IO1) |
| 10 | SCL | GPIO16 (SCL) |
| 11 | SDA | GPIO17 (SDA) |
| 12 | N/C | NA |
| 13 | N/C | NA |
| 14 | N/C | NA |
| 15 | GND | GND |
| 16 | 5.0V | +5V |

9.5. Mechanical Views



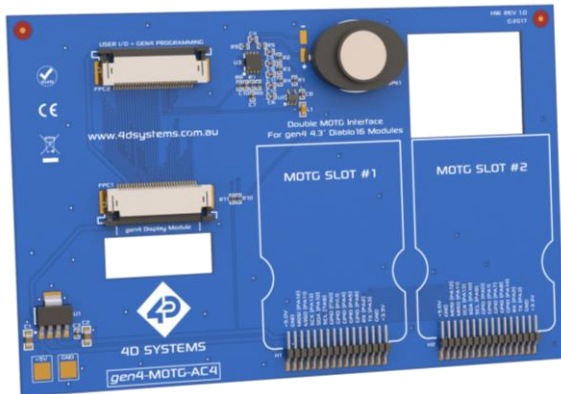
9.6. Schematic Details



9.7. Specifications

| RECOMMENDED CONDITIONS | | | | |
|------------------------|-------|-----|-------|-------|
| Parameter | Min | Typ | Max | Units |
| Supply Voltage | -- | 5.0 | -- | V |
| Supply Current | 10.0 | -- | 1000 | mA |
| Operating Temperature | -20.0 | -- | 70.0 | °C |
| Storage Temperature | -65.0 | -- | 150.0 | °C |

10. gen4-MOTG-AC4

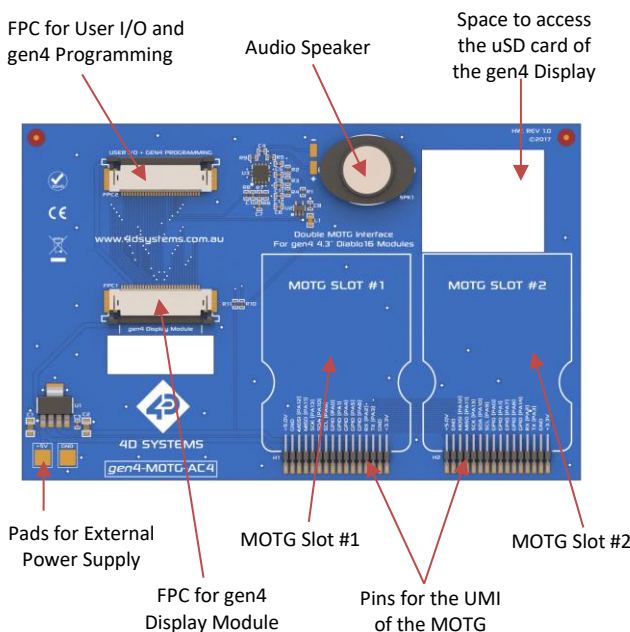


10.1. Description

The gen4-MOTG-AC4 Interface Board allows easy interface of up to two MOTG modules to Diablo16-based gen4 display modules. The board carries two UMI-compatible MOTG slots which act as an extension to the display module providing plug-and-play interface with MOTG.

The interface board is designed to stick on flush to the back of the Diablo16 4.3" display modules enabling sleek and compact designs. It also features a 30-pin ZIF socket, for easy connection to application boards for a further functionality advancement.

10.2. Hardware Overview



10.3. Pin Description

10.3.1 MOTG Slot #1 Pin Description



| Pin | Symbol | Description |
|-----|--------|--|
| 1 | 3.3V | 3.3V Input Supply |
| 2 | GND | Supply Ground |
| 3 | TX | Asynchronous Serial Receive Pin connected to PA3 of gen4 Display Module |
| 4 | RX | Asynchronous Serial Transmit Pin connected to PA2 of the gen4 Display Module |
| 5 | GPIO5 | General Purpose Input Output Pin connected to PA6 of the Display. |
| 6 | GPIO4 | General Purpose Input Output Pin connected to PA5 of the Display. |
| 7 | GPIO3 | General Purpose Input Output Pin connected to PA4 of the Display. |
| 8 | GPIO2 | General Purpose Input Output Pin connected to PA1 of the Display. |
| 9 | GPIO1 | General Purpose Input Output Pin connected to PA0 of the Display. |
| 10 | SCL | I ² C Clock Pin connected to PA9 of the gen4 Display Module |
| 11 | SDA | I ² C Data Pin connected to PA10 of the gen4 Display Module |
| 12 | SCK | SPI Clock Pin connected to PA13 of the Display (See Note) |
| 13 | MISO | SPI Master In Slave Out Pin connected to PA11 of the Display |
| 14 | MOSI | SPI Master Out Slave In Pin connected to PA12 of the Display (See Note) |
| 15 | GND | Supply Ground |
| 16 | 5.0V | 5V Input Supply |

10.3.2 MOTG Slot #2 Pin Description



| Pin | Symbol | Description |
|-----|--------|--|
| 1 | 3.3V | 3.3V Input Supply |
| 2 | GND | Supply Ground |
| 3 | TX | Asynchronous Serial Receive Pin connected to PA3 of gen4 Display Module |
| 4 | RX | Asynchronous Serial Transmit Pin connected to PA2 of the gen4 Display Module |
| 5 | GPIO5 | General Purpose Input Output Pin connected to PA14 of the Display. |
| 6 | GPIO4 | General Purpose Input Output Pin connected to PA8 of the Display. |
| 7 | GPIO3 | General Purpose Input Output Pin connected to PA7 of the Display. |
| 8 | GPIO2 | General Purpose Input Output Pin connected to PA1 of the Display. |
| 9 | GPIO1 | General Purpose Input Output Pin connected to PA0 of the Display. |
| 10 | SCL | I ² C Clock Pin connected to PA9 of the gen4 Display Module |
| 11 | SDA | I ² C Data Pin connected to PA10 of the gen4 Display Module |
| 12 | SCK | SPI Clock Pin connected to PA13 of the Display (See Note) |
| 13 | MISO | SPI Master In Slave Out Pin connected to PA11 of the Display |
| 14 | MOSI | SPI Master Out Slave In Pin connected to PA12 of the Display (See Note) |
| 15 | GND | Supply Ground |
| 16 | 5.0V | 5V Input Supply |

10.4. Communication

Both slots of the gen4-MOTG-AC4 facilitate communication between the display module and the MOTG modules using UART, SPI or I2C communication protocol. Below are a few tips that might be useful when using two MOTG modules with the same communication protocol.

10.4.1 UART

TX (Pin3) and RX (Pin4) of the UMI enable UART communication. However, UART pins for both slots are connected to the same pins of the display modules as shown in **Pin Description**.

For all MOTG modules requiring UART communication, the hardware is designed to allow the UART pins to be connected to either TX, RX or GPIO1, GPIO2 of the UMI. This could be achieved by shorting the respective sides of the solder bridges. Hence, one of the MOTGs could use the GPIO1 and GPIO2 pins, while the other could use the TX and RX pins, making serial communication with both MOTG possible.

10.4.2 SPI

SCK (Pin12), MISO (Pin13) and MOSI (Pin14) of the UMI permit SPI communication. The SPI communication pins of both slots are connected to the SPI pins of the gen4 display module. The slave- or chip-select pins could then be utilised by the display module to communicate to a specific MOTG module.

NOTE: Due to limitations with GPIO pins PA12 and PA13 on Diablo modules, these pins are utilised for I2C by the Diablo modules themselves. This makes PA12 and PA13 not available to the SPI bus on MOTG, meaning all SPI MOTG modules are **not compatible** with Diablo based modules which feature external touch controllers.

This includes all Diablo modules with Capacitive Touch (CTP) – All sizes, and Resistive Touch modules on 4.3" and above.

SPI MOTG modules are however compatible with Resistive Touch modules 2.4" to 3.5" as these do not feature an external RTP controller

Applies to gen4 2.4" to 3.5" with board revisions 1.2 and lower, and gen4 4.3" to 7.0" with board revisions 1.5 and lower.

10.4.3 I2C

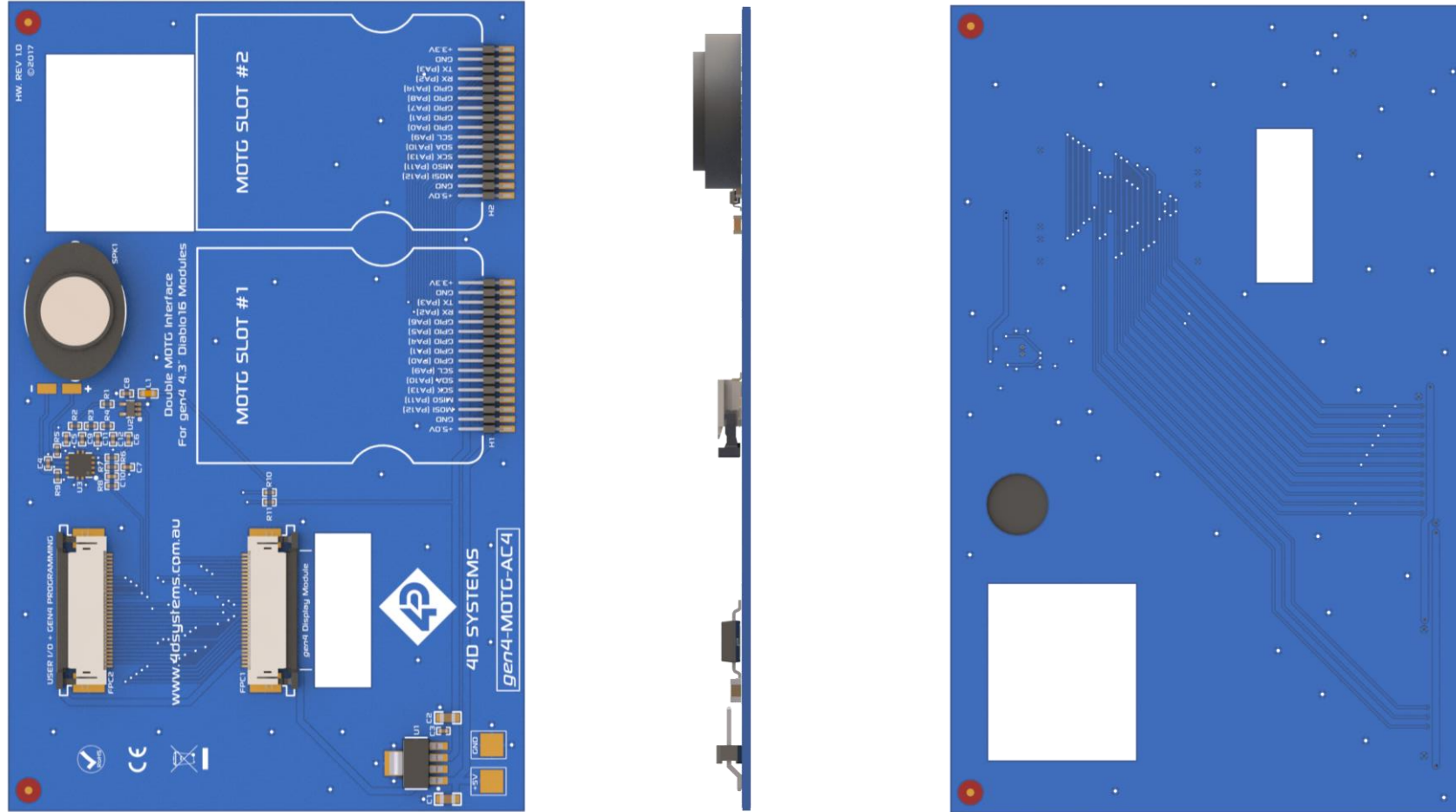
SCL (Pin10) and SDA (Pin11) of the UMI are responsible for I2C communication. The I2C communication pins of both slots are connected to the I2C pins of the gen4 display module. The host could then select the desired MOTG module by using the correct slave address.

10.5. Accessing MOTG pins via gen4-PA

| UMI (MOTG Slot 1) | | gen4-PA |
|-------------------|--------|---------------|
| Pin | Symbol | Symbol |
| 1 | 3.3V | NA |
| 2 | GND | GND |
| 3 | TX | GPIO1 (PA3) |
| 4 | RX | GPIO2 (PA2) |
| 5 | GPIO5 | GPIO8 (PA6) |
| 6 | GPIO4 | GPIO9 (PA5) |
| 7 | GPIO3 | GPIO10 (PA4) |
| 8 | GPIO2 | GPIO3 (PA1) |
| 9 | GPIO1 | GPIO4 (PA0) |
| 10 | SCL | GPIO5 (PA9) |
| 11 | SDA | GPIO11 (PA10) |
| 12 | SCK | GPIO14 (PA13) |
| 13 | MISO | GPIO12 (PA11) |
| 14 | MOSI | GPIO13 (PA12) |
| 15 | GND | GND |
| 16 | 5.0V | +5V |

| UMI (MOTG Slot 2) | | gen4-PA |
|-------------------|--------|---------------|
| Pin | Symbol | Symbol |
| 1 | 3.3V | NA |
| 2 | GND | GND |
| 3 | TX | GPIO1 (PA3) |
| 4 | RX | GPIO2 (PA2) |
| 5 | GPIO5 | GPIO15 (PA14) |
| 6 | GPIO4 | GPIO6 (PA8) |
| 7 | GPIO3 | GPIO7 (PA7) |
| 8 | GPIO2 | GPIO3 (PA1) |
| 9 | GPIO1 | GPIO4 (PA0) |
| 10 | SCL | GPIO5 (PA9) |
| 11 | SDA | GPIO11 (PA10) |
| 12 | SCK | GPIO14 (PA13) |
| 13 | MISO | GPIO12 (PA11) |
| 14 | MOSI | GPIO13 (PA12) |
| 15 | GND | GND |
| 16 | 5.0V | +5V |

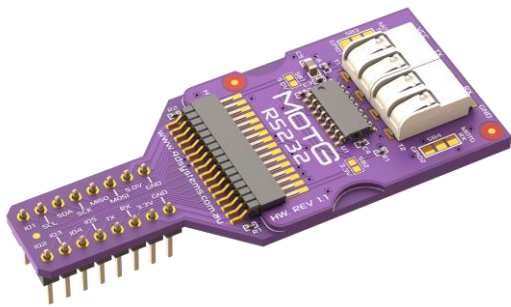
10.6. Mechanical Views



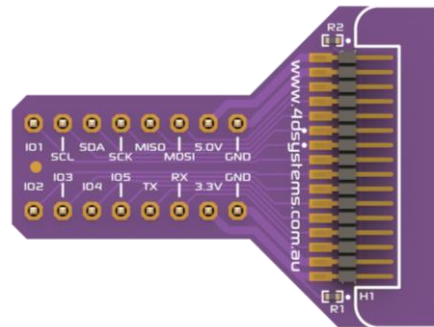
10.8. Specifications

| RECOMMENDED CONDITIONS | | | | | |
|--------------------------|------------------------|-------|-----|-------|-------|
| Parameter | Conditions | Min | Typ | Max | Units |
| Supply Voltage | | -- | 5.0 | -- | V |
| Supply Current | | 12.0 | -- | 1500 | mA |
| Operating Temperature | | -20.0 | -- | 70.0 | °C |
| Storage Temperature | | -65.0 | -- | 150.0 | |
| Audio Pin (PWM) | AUDIO-OUT (Pin 19 FPC) | -- | 3.3 | -- | v |
| Input Low Voltage (VIL) | AUDENB (Pin 20 FPC) | -- | -- | 0.5 | V |
| Input High Voltage (VIH) | AUDENB (Pin 20 FPC) | 1.15 | -- | -- | V |

11. MOTG-BREADTOOTH



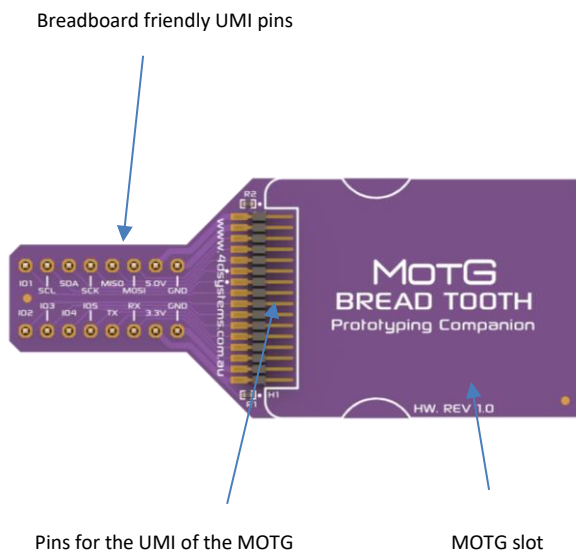
11.3. Pin Description



11.1. Description

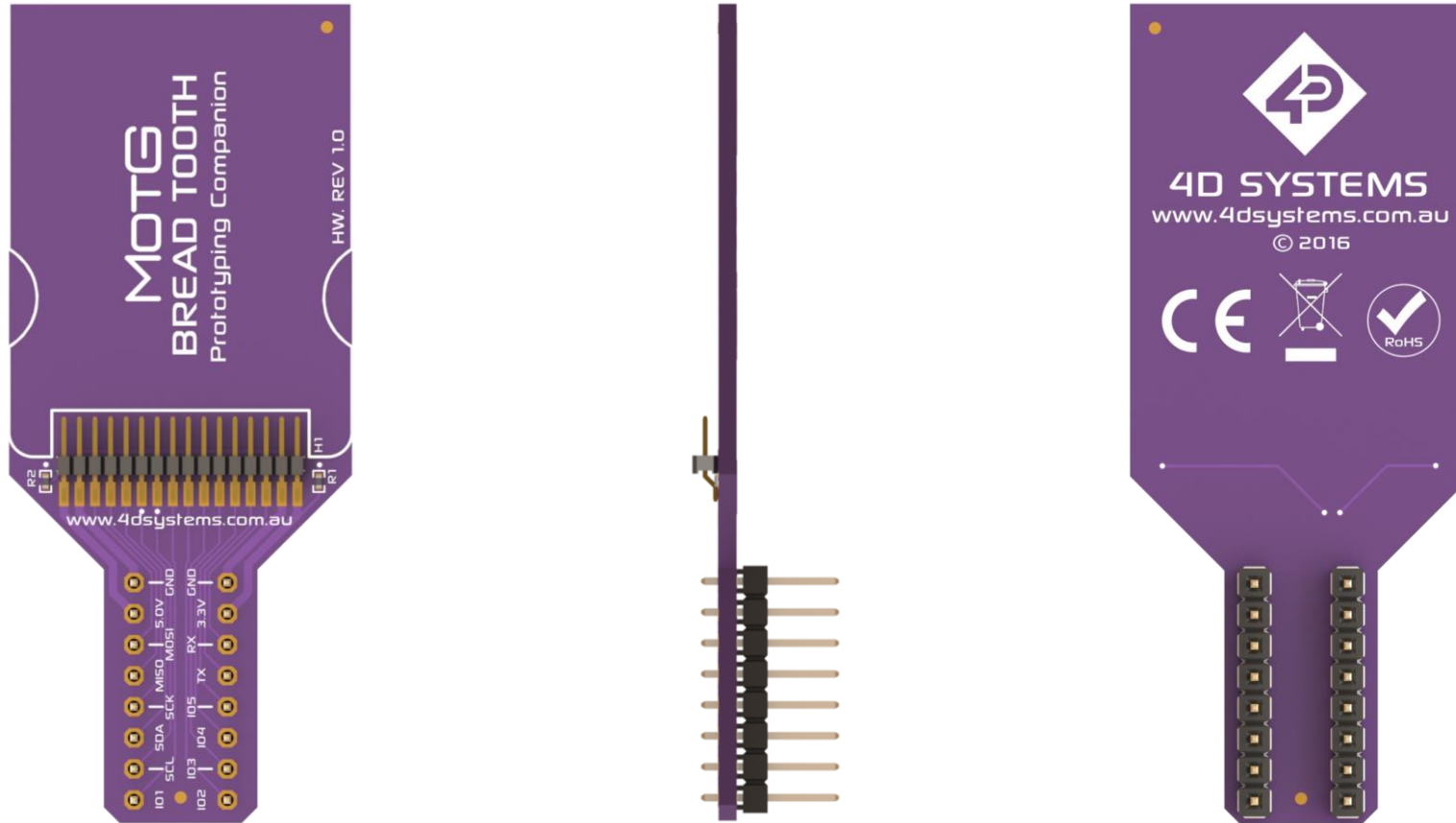
The MOTG-BREADTOOTH breaks out the UMI pins of the MOTG. It is compatible with all MOTG modules and is a quick and easy way to make your MOTG module breadboard friendly. The MOTG-BREADTOOTH permits the MOTG to be interfaced to a breadboard for prototyping and for interfacing to virtually any host.

11.2. Hardware Overview

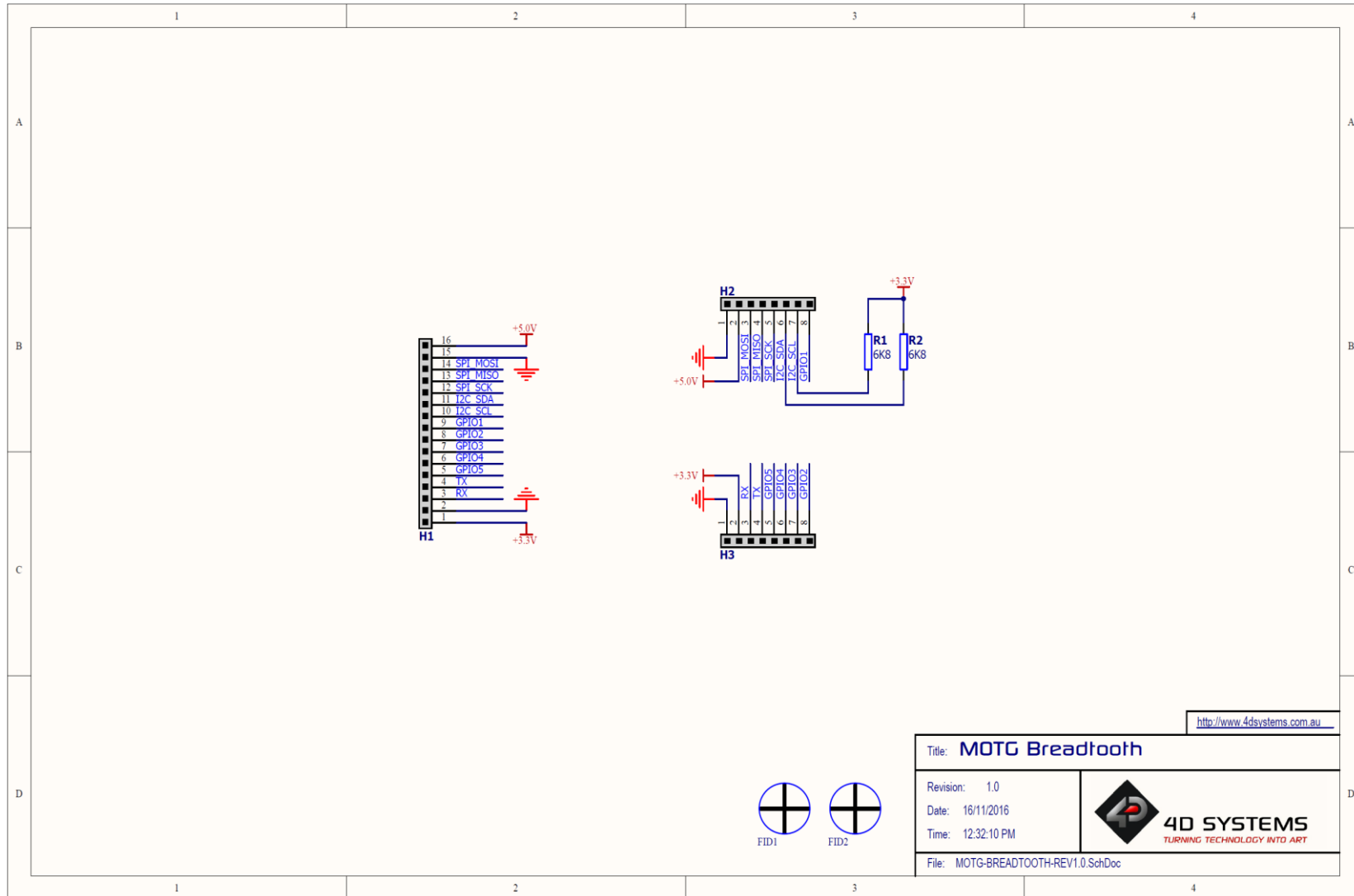


| Pin | Symbol | Description |
|-----|--------|--|
| 1 | GND | Supply Ground connected to GND of the UMI |
| 2 | 3.3V | 3.3V Input Supply connected to 3.3V of the UMI |
| 3 | RX | Asynchronous Serial Transmit Pin connected to RX of UMI |
| 4 | TX | Asynchronous Serial Receive Pin connected to RX of UMI |
| 5 | IO5 | General Purpose Input Output Pin connected to GPIO5 of the UMI |
| 6 | IO4 | General Purpose Input Output Pin connected to GPIO4 of the UMI |
| 7 | IO3 | General Purpose Input Output Pin connected to GPIO3 of the UMI |
| 8 | IO2 | General Purpose Input Output Pin connected to GPIO2 of the UMI |
| 9 | IO1 | General Purpose Input Output Pin connected to GPIO1 of the UMI |
| 10 | SCL | I ² C Clock Pin connected to SCL of the UMI |
| 11 | SDA | I ² C Data Pin connected to SDA of UMI |
| 12 | SCK | SPI Clock Pin connected to SCK of the UMI |
| 13 | MISO | SPI Master In Slave Out Pin connected to MISO of the UMI |
| 14 | MOSI | SPI Master Out Slave In Pin connected to MOSI of the UMI |
| 15 | 5.0V | 5V Input Supply |
| 16 | GND | Supply Ground |

11.4. Mechanical Views



11.5. Schematic Details



11.7. Datasheet Revision History

| Revision Number | Date | Description |
|-----------------|------------|---|
| 1.1 | 16/11/2016 | Initial Public Release version |
| 1.3 | 28/10/2019 | Addition of gen4-MOTG-AC4 module Addition of MOTG-CAN module |
| 1.4 | 18/08/2020 | Formatting and additional information added |
| 1.5 | 24/08/2020 | Fixed pinout mistakes associated with MOTG-CAN information |
| 1.6 | 03/11/2020 | Added some information about the MOTG UMI specification, PCB size, Compatible Headers, etc – for people designing their own custom MOTG's |
| 1.7 | 04/05/2021 | Added notes about SPI Bus on Diablo16 based modules with external touch controllers and limitations. |
| | | |
| | | |
| | | |
| | | |
| | | |
| | | |
| | | |
| | | |
| | | |