

**SINGLE-PHASE GLASS PASSIVATED
SILICON BRIDGE RECTIFIER**
VOLTAGE RANGE 50 to 1000 Volts CURRENT 35 Amperes

FEATURES

- * Superior thermal desing
- * 400 amperes surge rating
- * 1/4" universal faston terminal
- * Hole thru for #8 screw

MECHANICAL DATA

- * Epoxy : Device has UL flammability classification 94V-0
- * UL listed the recongnized component director, file #94233

DISCONTINUED-

"This series is replaced by the MP35 series that meets to the same fit and function parameters.
The MP35 series is preferred for PCB assembly."

MAXIMUM RATINGS AND ELECTRICAL CHARACTERISTICS

Ratings at 25 °C ambient temperature unless otherwise specified.
Single phase, half wave, 60 Hz, resistive or inductive load.
For capacitive load, derate current by 20%.

Discontinued



MB-35



MB-35W

MAXIMUM RATINGS (@ TA=25 °C unless otherwise noted)

| RATINGS | SYMBOL | MB3505 | MB351 | MB352 | MB354 | MB356 | MB358 | MB3510 | UNITS |
|--|-----------------------------------|--------------|-------|-------|-------|-------|-------|--------|-------|
| Maximum Recurrent Peak Reverse Voltage | V _{RRM} | 50 | 100 | 200 | 400 | 600 | 800 | 1000 | Volts |
| Maximum RMS Voltage | V _{RMS} | 35 | 70 | 140 | 280 | 420 | 560 | 700 | Volts |
| Maximum DC Blocking Voltage | V _{DC} | 50 | 100 | 200 | 400 | 600 | 800 | 1000 | Volts |
| Maximum Average Forward Rectified Current at T _C = 55°C | I _O | 35.0 | | | | | | | Amps |
| Peak Forward Surge Current 8.3 ms single half sine-wave superimposed on rated load (JEDEC method) | I _{FSM} | 400 | | | | | | | Amps |
| Typical Thermal Resistance (Note 2) | R _{θJC} | 1.4 | | | | | | | °C/W |
| | R _{θJA} | 16 | | | | | | | |
| Operating and Storage Temperature Range | T _J , T _{STG} | -55 to + 150 | | | | | | | °C |

ELECTRICAL CHARACTERISTICS (@TA=25 °C unless otherwise noted)

| CHARACTERISTICS | SYMBOL | MB3505 | MB351 | MB352 | MB354 | MB356 | MB358 | MB3510 | UNITS |
|--|-------------------------|--------|-------|-------|-------|-------|-------|--------|-------|
| Maximum Instantaneous Forward Voltage at 17.5ADC | V _F | 1.1 | | | | | | | Volts |
| Maximum DC Reverse Current at Rated DC Blocking Voltage | @T _A = 25°C | 5.0 | | | | | | | uAmps |
| | @T _A = 100°C | 500 | | | | | | | |

- NOTES : 1. Suffix "W" for wire type.
2. Typical Thermal Resistance: Heat-sink case mounted.
3. "Fully ROHS compliant", "100% Sn plating (Pb-free)".

RATING AND CHARACTERISTICS CURVES (MB3505 THRU MB3510)

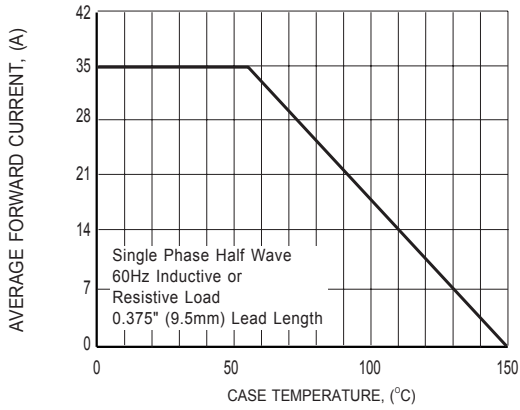


FIG.1 TYPICAL FORWARD CURRENT DERATING CURVE

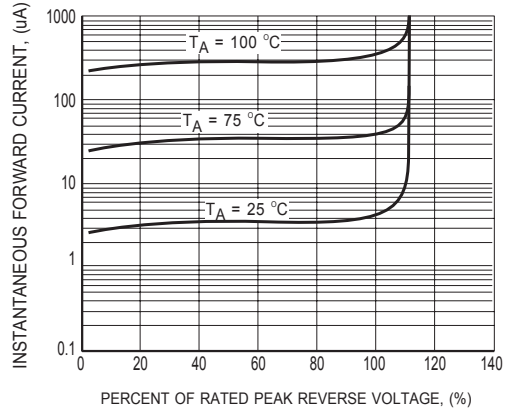


FIG.2 TYPICAL REVERSE CHARACTERISTICS

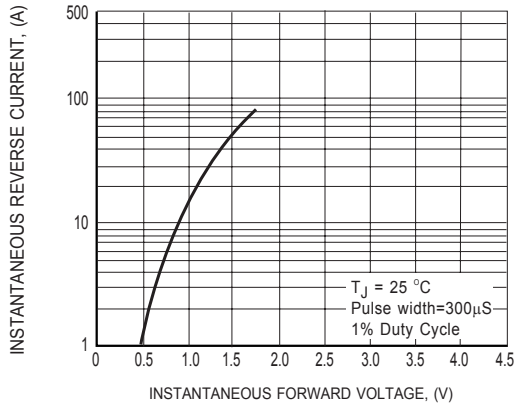


FIG.3 TYPICAL INSTANTANEOUS FORWARD CHARACTERISTICS

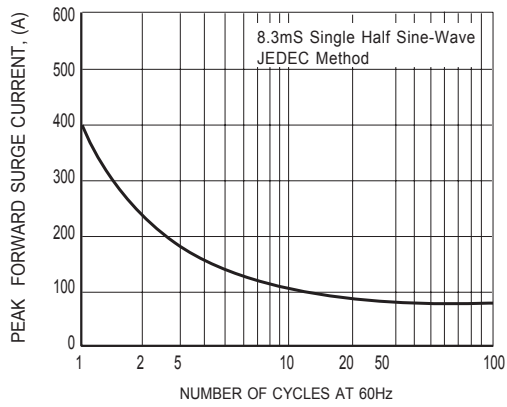
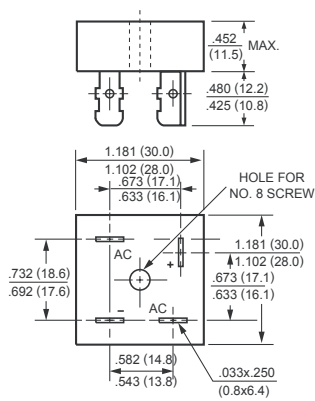
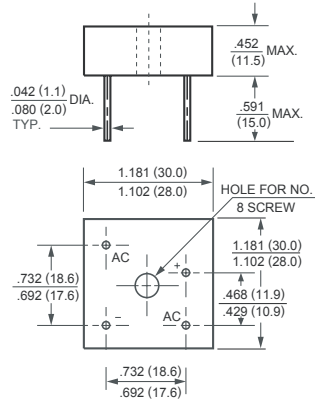


FIG.4 MAXIMUM NON-REPETITIVE FORWARD SURGE CURRENT



MB-35



MB-35W