



The Future of Analog IC Technology®

# MPQ2166

6V, Dual 2A/2A or 3A/1A,  
Low Quiescent Current,  
Synchronous Buck with PG and SS  
AEC-Q100 Qualified

## DESCRIPTION

The MPQ2166 is an internally compensated, dual, PWM, synchronous, step-down regulator that operates from a 2.7V to 6V input and generates an output voltage as low as 0.6V. The MPQ2166 can be configured as a 2A/2A or 3A/1A output current regulator and is ideal for powering portable equipment that runs on a single-cell lithium-ion (Li+) battery due to a low 60 $\mu$ A quiescent current.

The MPQ2166 integrates dual, 55m $\Omega$ , high-side switches and 20m $\Omega$  synchronous rectifiers for high efficiency without an external Schottky diode. The MPQ2166 has peak-current-mode control and internal compensation and is capable of low dropout configurations. Both channels can operate at 100% duty cycle.

Full protection features include cycle-by-cycle current limit and thermal shutdown.

The MPQ2166 requires a minimum number of readily available, standard, external components and is available in QFN-18 (2mmx3mm) and QFN-18 (2.5mmx3.5mm) packages.

## FEATURES

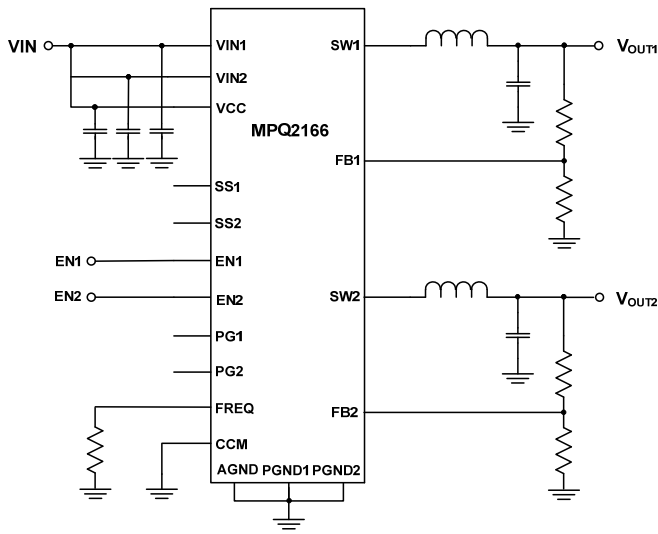
- 2.7V to 6V Operating Input Range
- 2A/2A or 3A/1A Continuous Current
- 55m $\Omega$ /20m $\Omega$  R<sub>DS(ON)</sub>
- Programmed Frequency up to 3MHz
- External Sync Clock Up to 3MHz
- 180° Phase Shifted Operation
- Power Good (PG) Indicators
- External Soft Start (SS) and Track
- Adjustable Advanced Asynchronous Mode (AAM) or Forced Continuous Conduction Mode (FCCM)
- Peak Efficiency >90%
- Output Adjustable from 0.6V to 5.5V
- 100% Duty Cycle Operation
- 60 $\mu$ A Quiescent Current
- Cycle-by-Cycle Over-Current Protection (OCP)
- Short-Circuit Protection (SCP) with Hiccup Mode and Valley Current Detection
- Thermal Shutdown
- Available in QFN-18 (2mmx3mm) and QFN-18 (2.5mmx3.5mm) Packages
- Available in a Wettable Flank Package
- Available in AEC-Q100 Grade-1

## APPLICATIONS

- Automotive Infotainment
- Automotive Clusters
- Automotive Telematics
- Battery-Powered Devices
- Portable Instruments

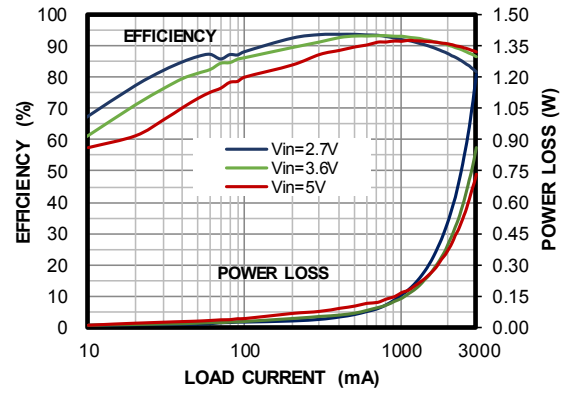
All MPS parts are lead-free, halogen-free, and adhere to the RoHS directive. For MPS green status, please visit MPS website under Quality Assurance. "MPS" and "The Future of Analog IC Technology" are registered trademarks of Monolithic Power Systems, Inc.

### TYPICAL APPLICATION



### Efficiency vs. Load Current

$V_{OUT1} = 1.8V$ ,  $L_1 = 0.68\mu H$ ,  $f_{sw} = 2.25MHz$ ,  
AAM, one channel on



### ORDERING INFORMATION

Part Number*	Package	Top Marking	MSL Rating**
MPQ2166GD	QFN-18 (2mmx3mm)	<i>See Below</i>	1
MPQ2166GD-AEC1			
MPQ2166GDE-AEC1***			
MPQ2166GRH	QFN-18 (2.5mmx3.5mm)		1
MPQ2166GRH-AEC1			
MPQ2166GRHE-AEC1***			

\* For Tape & Reel, add suffix -Z (e.g. MPQ2166GD-Z)

\*\* Moisture Sensitivity Level Rating

\*\*\* Wettable flank

### TOP MARKING (MPQ2166GD & MPQ2166GD-AEC1)

───  
**AQF**  
**YWW**  
**LLL**

AQF: Product code of MPQ2166GD and MPQ2166GD-AEC1

Y: Year code

WW: Week code

LLL: Lot number

### TOP MARKING (MPQ2166GDE-AEC1)

───  
**AXF**  
**YWW**  
**LLL**

AXF: Product code of MPQ2166GDE-AEC1

Y: Year code

WW: Week code

LLL: Lot number

### TOP MARKING (MPQ2166GRH&MPQ2166GRH-AEC1)

AVP  
YWW  
LLL

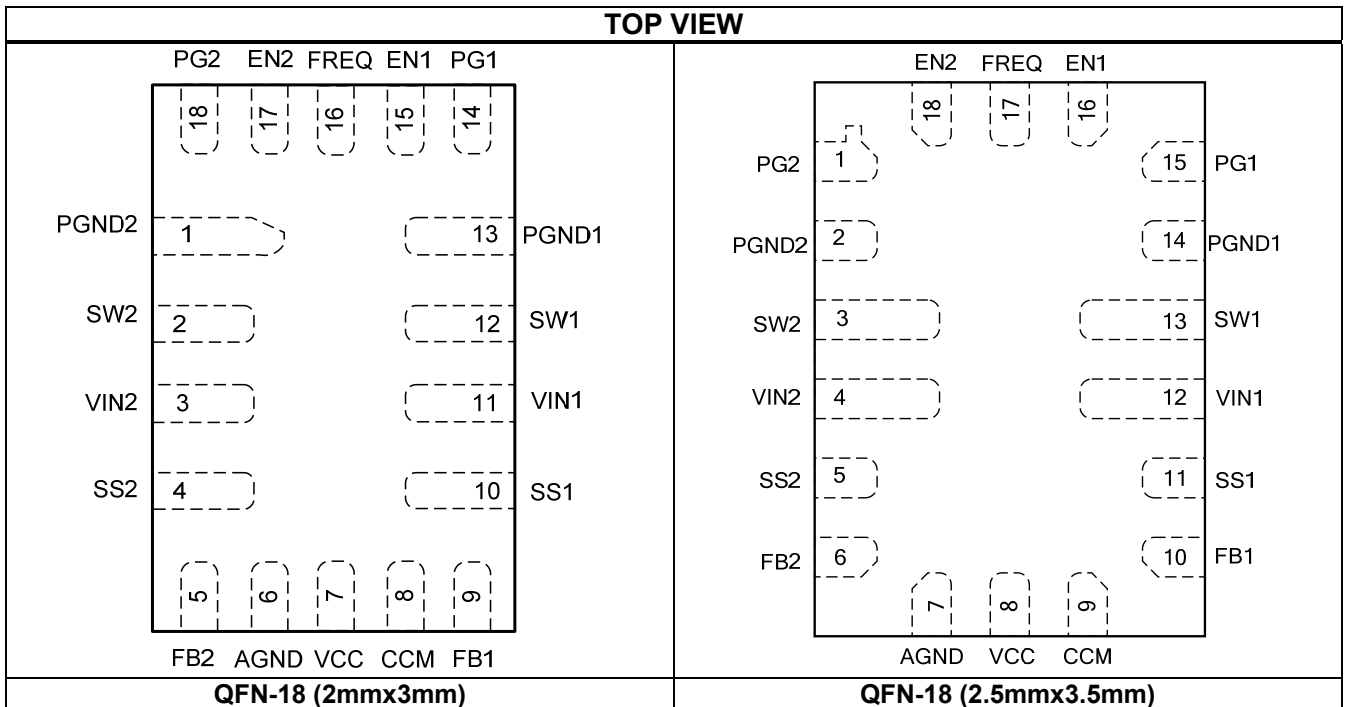
AVP: Product code of MPQ2166GRH and MPQ2166GRH-AEC1  
Y: Year code  
WW: Week code  
LLL: Lot number

### TOP MARKING (MPQ2166GRHE-AEC1)

BKG  
YWW  
LLL

BKG: Product code of MPQ2166GRHE-AEC1  
Y: Year code  
WW: Week code  
LLL: Lot number

### PACKAGE REFERENCE



**ABSOLUTE MAXIMUM RATINGS** <sup>(1)</sup>

Supply voltage ( $V_{IN}$ )	6.5V
$V_{SW}$	-0.3V to $V_{IN} + 0.3V$
All other pins	-0.3V to +6.5V
Junction temperature	150°C
Lead temperature	260°C
Storage temperature	-65°C to 150°C
Continuous power dissipation ( $T_A = +25^\circ\text{C}$ ) <sup>(2)</sup>	
QFN-18 (2mmx3mm)	1.78W
QFN-18 (2.5mmx3.5mm)	2.5W

**ESD Rating**

Human-body model (HBM)	$\pm 2\text{kV}$
Charged-device model (CDM)	$\pm 750\text{V}$

**Recommended Operating Conditions**

Supply voltage ( $V_{IN}$ )	2.7V to 6V
Output voltage ( $V_{OUT}$ )	0.6V to 5.5V
Operating junction temp.	-40°C to +125°C <sup>(3)</sup>

<b>Thermal Resistance</b>	$\theta_{JA}$	$\theta_{JC}$
QFN-18 (2mmx3mm)		
JESD51-7 <sup>(4)</sup>	70	15
QFN-18 (2.5mmx3.5mm)		
JESD51-7 <sup>(4)</sup>	50	12
EV2166-RH-00A <sup>(5)</sup>	34.8	2.7

**Notes:**

- 1) Exceeding these ratings may damage the device.
- 2) The maximum allowable power dissipation is a function of the maximum junction temperature  $T_J$  (MAX), the junction-to-ambient thermal resistance  $\theta_{JA}$ , and the ambient temperature  $T_A$ . The maximum allowable continuous power dissipation at any ambient temperature is calculated by  $P_D$  (MAX) =  $(T_J$  (MAX) -  $T_A$ ) /  $\theta_{JA}$ . Exceeding the maximum allowable power dissipation produces an excessive die temperature, causing the regulator to go into thermal shutdown. Internal thermal shutdown circuitry protects the device from permanent damage.
- 3) Operating devices at junction temperatures greater than 125°C is possible, please contact MPS for details.
- 4) Measured on JESD51-7, 4-layer PCB.
- 5) Measured on MPS standard EVB, 6.35cm\*6.35cm, 2oz cooper thick, 4-Layer PCB.

## ELECTRICAL CHARACTERISTICS

$V_{IN} = 5V$ ,  $T_J = -40^{\circ}C$  to  $+125^{\circ}C$ , unless otherwise noted. Typical values are at  $T_J = 25^{\circ}C$ .

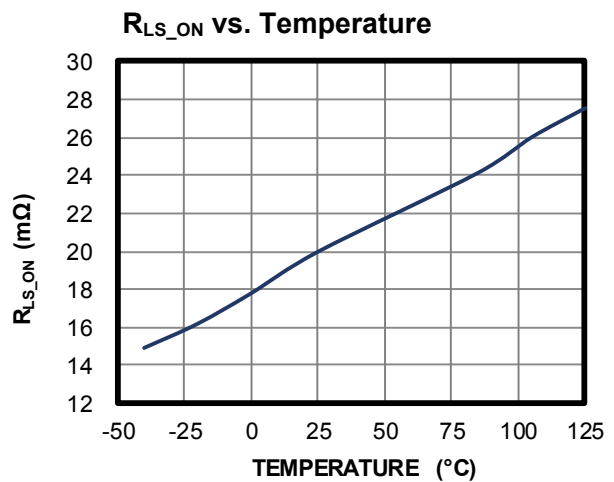
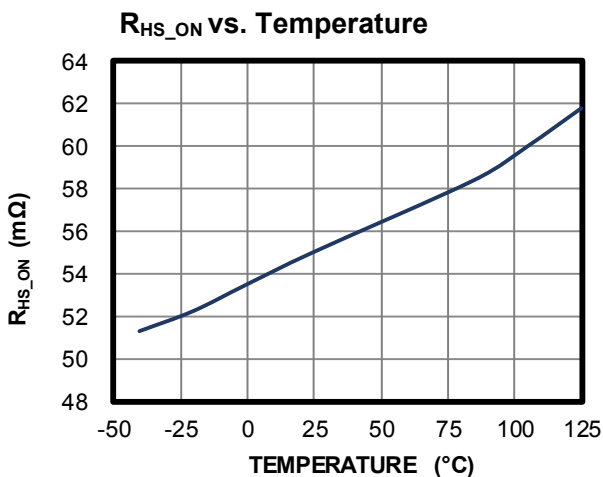
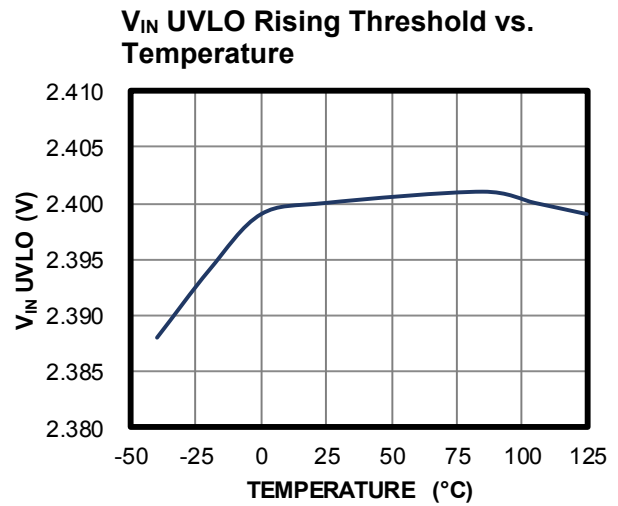
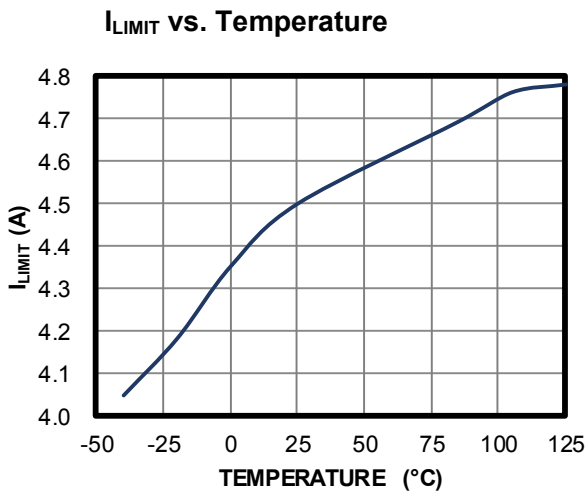
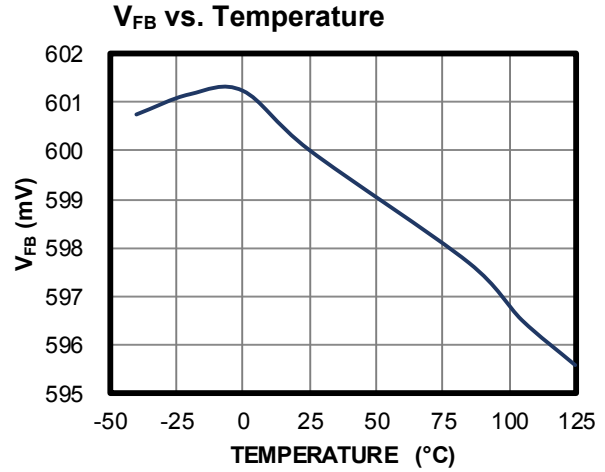
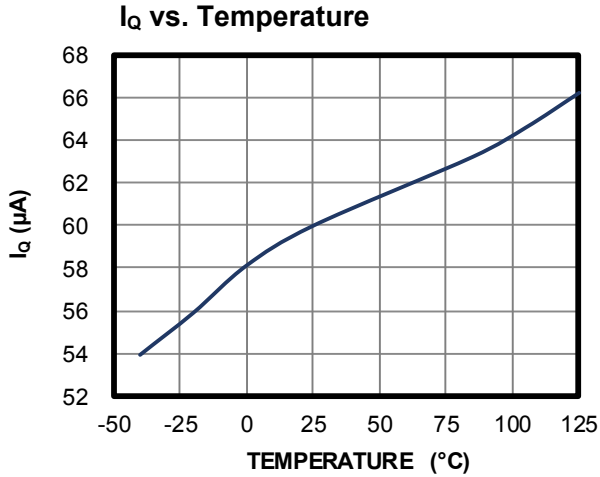
Parameters	Symbol	Condition	Min	Typ	Max	Units
Supply current (quiescent)	$I_Q$	$V_{IN} = 5V$ , $V_{EN} = 2V$ , $V_{FB} = 0.65V$ , no switching		60	80	$\mu A$
Shutdown current	$I_{SHDN}$	$V_{EN} = 0V$ , CCM=GND, $T_J = +25^{\circ}C$		0	0.2	$\mu A$
		$V_{EN} = 0V$ , CCM=GND $T_J = -40^{\circ}C$ to $+85^{\circ}C^{(6)}$		0	1.5	$\mu A$
		$V_{EN} = 0V$ , CCM=GND $T_J = +85^{\circ}C$ to $+125^{\circ}C$				5
VIN under-voltage lockout threshold	$I_{N_{UVLO}}$	Rising edge		2.4	2.55	V
VIN under-voltage lockout hysteresis	$I_{N_{UVLO\_HYS}}$			230		mV
Regulated FB voltage	$V_{FB}$	$T_J = +25^{\circ}C$	0.593	0.600	0.607	V
		$T_J = -40^{\circ}C$ to $+125^{\circ}C$	0.588	0.600	0.612	V
FB input current	$I_{FB}$	$V_{FB} = 0.65V$		0	50	nA
EN high threshold	$V_{EN\_H}$		1.6			V
EN low threshold	$V_{EN\_L}$				0.4	V
EN input current	$I_{EN}$	$V_{EN} = 2V$		0	0.1	$\mu A$
		$V_{EN} = 0V$		0	0.1	
HS switch on resistance	$R_{DS_{ON\_P}}$	$V_{IN} = 5V$		55	90	m $\Omega$
LS switch on resistance	$R_{DS_{ON\_N}}$	$V_{IN} = 5V$		20	45	m $\Omega$
SW leakage current	$I_{SW\_LK}$	$V_{EN} = 0V$ , $V_{IN} = 6V$ , $V_{SW} = 0V$ and $6V$ , $T_J = 25^{\circ}C$	-1	0	1	$\mu A$
HS switch current limit <sup>(6)</sup>	$I_{HS\_LIMIT}$	Sourcing	3.4	4.5	5.6	A
LS valley current limit <sup>(6)</sup>	$I_{VALLEY}$			3.9		A
LS switch current limit	$I_{LS\_LIMIT}$	Sinking, CCM	1			A
Oscillator frequency accuracy	$f_{SW}$	$R_{FREQ} = 665k$	298	350	402	kHz
		$R_{FREQ} = 200k$	850	1000	1150	kHz
		$R_{FREQ} = 51k$	2700	3000	3300	kHz
Sync frequency range	$f_{SYNC}$		0.35		3	MHz
Phase shift				180		degree
Minimum on time <sup>(6)</sup>	$T_{ON\_MIN}$			55		ns
Minimum off time <sup>(6)</sup>	$T_{OFF\_MIN}$			50		ns
Maximum duty cycle	$D_{MAX}$			100		%
Thermal shutdown threshold <sup>(6)</sup>	$T_D$			175		$^{\circ}C$
Thermal shutdown hysteresis <sup>(6)</sup>	$T_{D\_HYS}$			40		$^{\circ}C$
Soft-start charging current	$I_{SS}$	$V_{SS} = 0V$	2	3.2	5	$\mu A$
Power good rising threshold	$PGOOD_{V_{th-Hi}}$		0.85	0.9	0.95	$V_{FB}$
Power good falling threshold	$PGOOD_{V_{th-Lo}}$		0.77	0.82	0.87	$V_{FB}$
Power good rising delay	$T_{PGOOD\_R}$			30		$\mu s$
Power good falling delay	$T_{PGOOD\_F}$			40		$\mu s$
CCM on threshold			1.6			V
CCM off threshold					0.4	V

**NOTE:**

6) Guaranteed by design and characterization, not test in production.

## TYPICAL CHARACTERISTICS

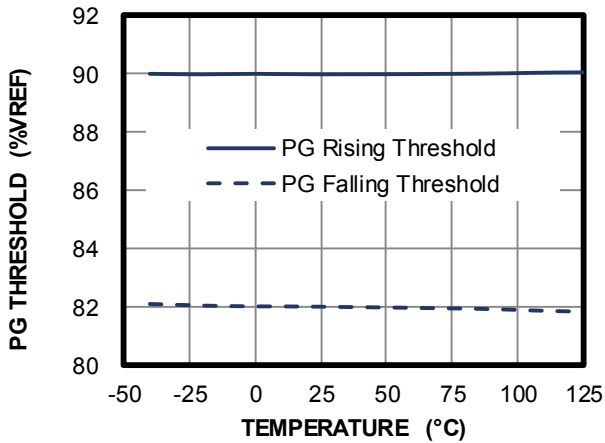
$V_{IN} = 5V$ ,  $T_J = -40^{\circ}C$  to  $+125^{\circ}C$ , unless otherwise noted.



## TYPICAL CHARACTERISTICS *(continued)*

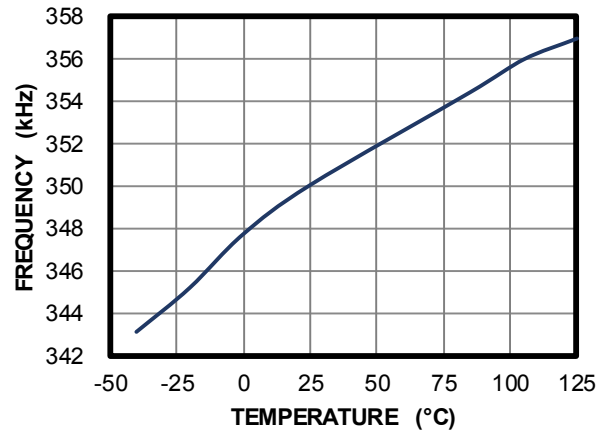
$V_{IN} = 5V$ ,  $T_J = -40^{\circ}C$  to  $+125^{\circ}C$ , unless otherwise noted.

**PG Rising/Falling Threshold vs. Temperature**



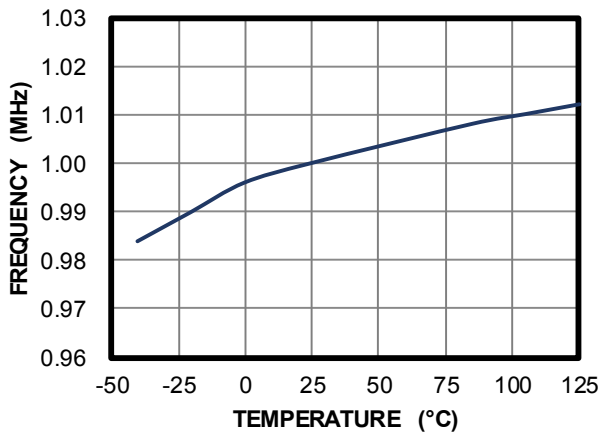
**Frequency vs. Temperature**

$f_{sw} = 350kHz$



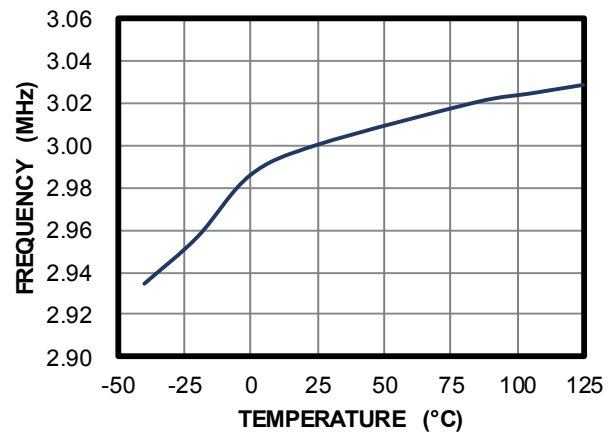
**Frequency vs. Temperature**

$f_{sw} = 1MHz$



**Frequency vs. Temperature**

$f_{sw} = 3MHz$



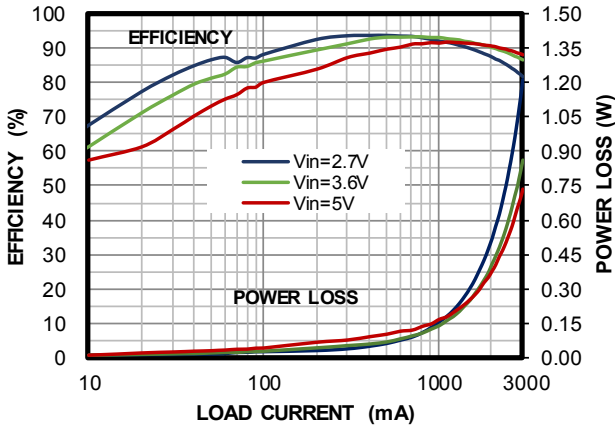


## TYPICAL PERFORMANCE CHARACTERISTICS

$V_{IN} = 5V$ ,  $V_{OUT1} = 1.8V$ ,  $V_{OUT2} = 1.2V$ ,  $L1 = L2 = 1.5\mu H$ ,  $f_{sw} = 2.25MHz$ ,  $T_A = 25^\circ C$ , unless otherwise noted.

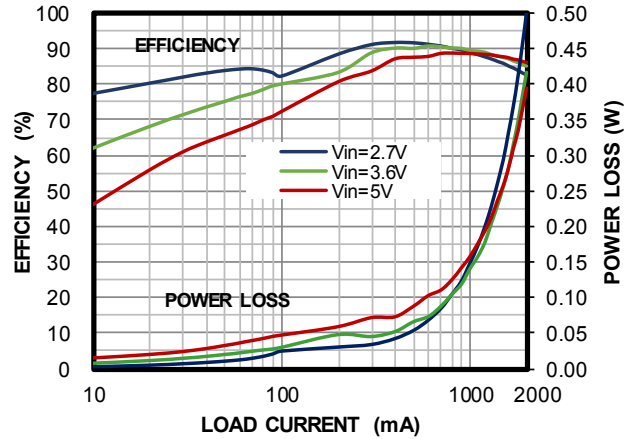
### Efficiency vs. Load Current

$V_{OUT1} = 1.8V$ ,  $L1 = 0.68\mu H$ , AAM, one channel on



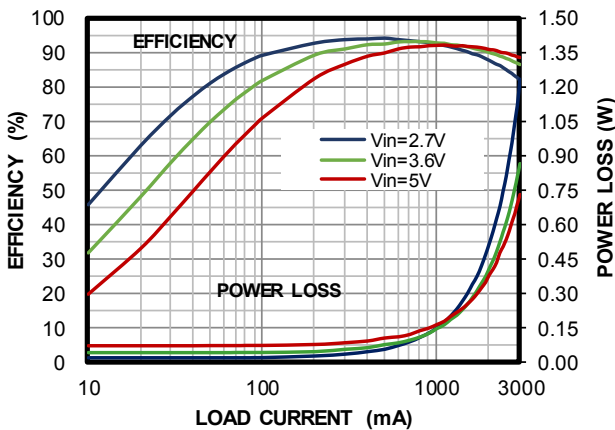
### Efficiency vs. Load Current

$V_{OUT2} = 1.2V$ , AAM, one channel on



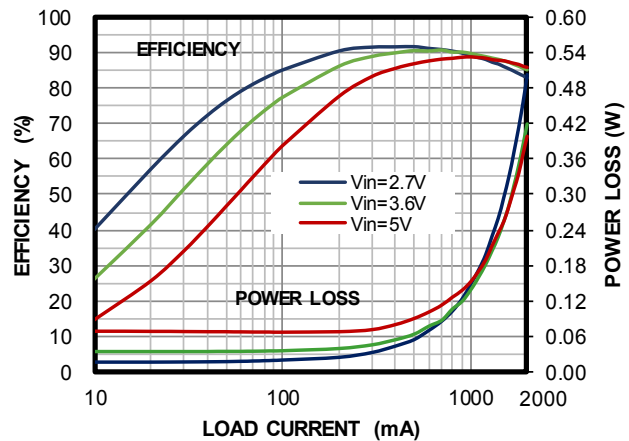
### Efficiency vs. Load Current

$V_{OUT1} = 1.8V$ ,  $L1 = 0.68\mu H$ , FCCM, one channel on



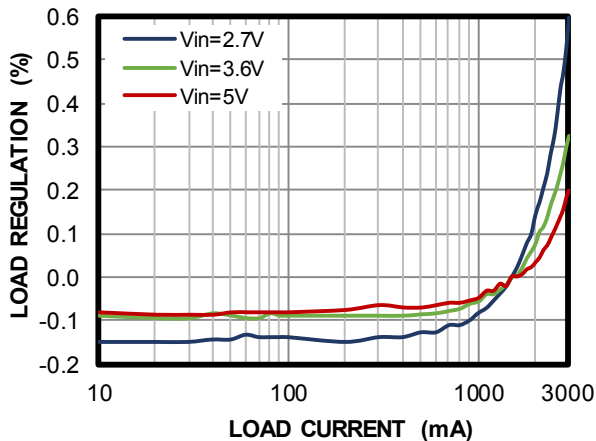
### Efficiency vs. Load Current

$V_{OUT2} = 1.2V$ , FCCM, one channel on



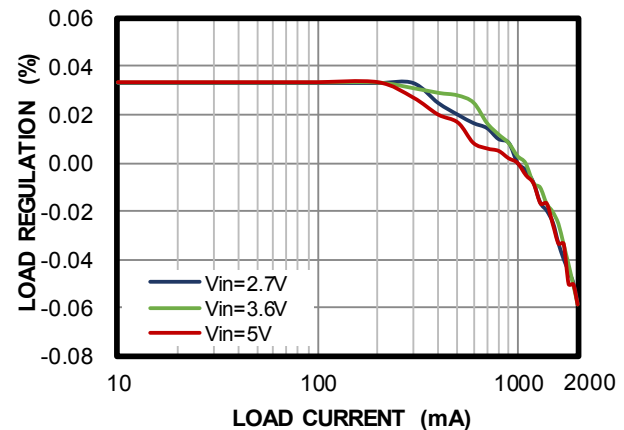
### Load Regulation

$V_{OUT1} = 1.8V$ ,  $L1 = 0.68\mu H$ , AAM, one channel on



### Load Regulation

$V_{OUT2} = 1.2V$ , AAM, one channel on

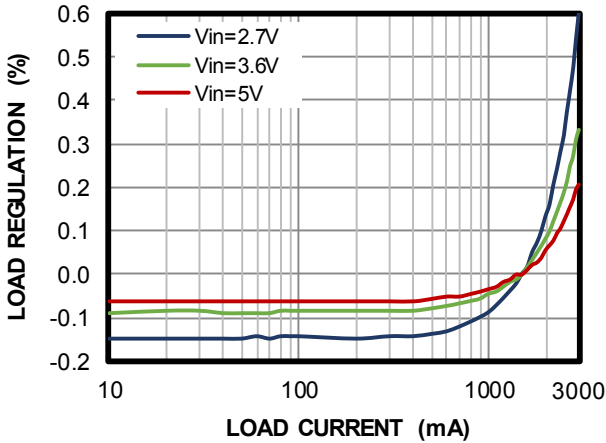


**TYPICAL PERFORMANCE CHARACTERISTICS (continued)**

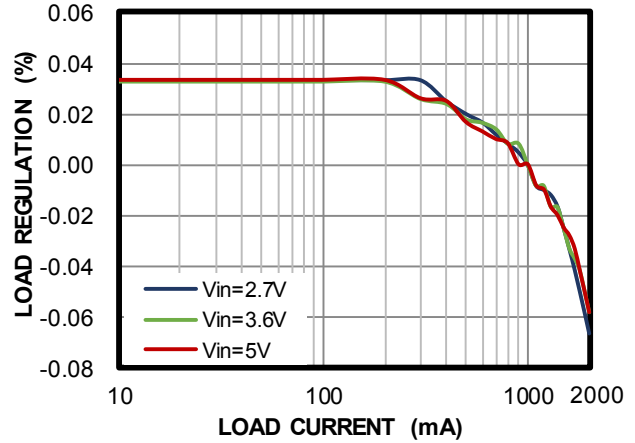
$V_{IN} = 5V$ ,  $V_{OUT1} = 1.8V$ ,  $V_{OUT2} = 1.2V$ ,  $L1 = L2 = 1.5\mu H$ ,  $f_{sw} = 2.25MHz$ ,  $T_A = 25^\circ C$ , unless otherwise noted.

**Load Regulation**

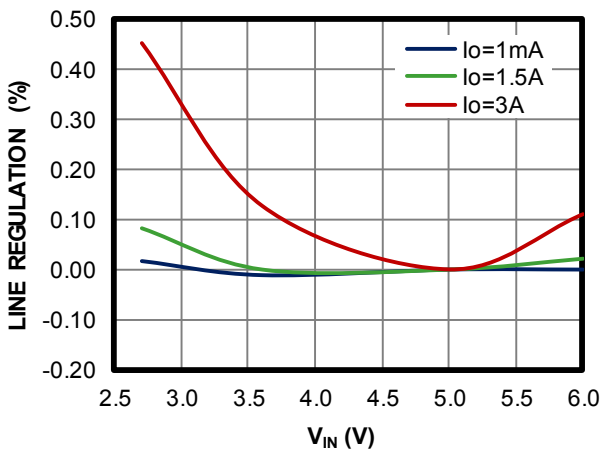
$V_{OUT1} = 1.8V$ ,  $L1 = 0.68\mu H$ , FCCM, one channel on


**Load Regulation**

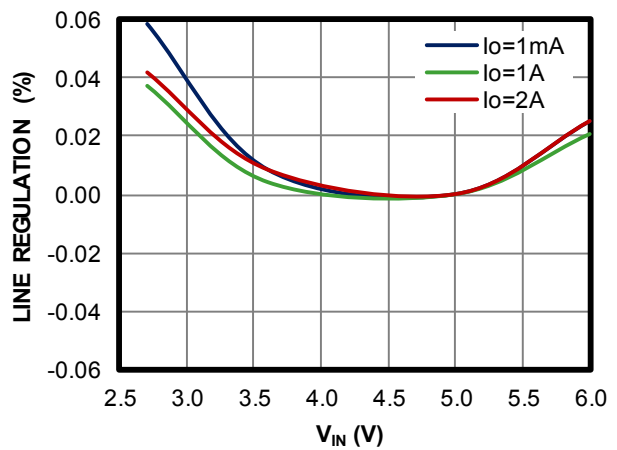
$V_{OUT2} = 1.2V$ , FCCM, one channel on


**Line Regulation**

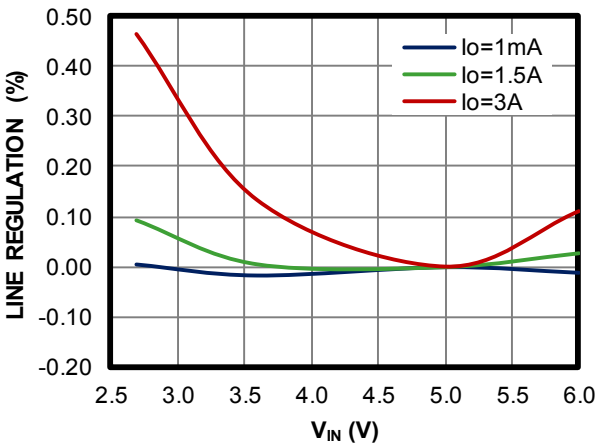
$V_{OUT1} = 1.8V$ ,  $L = 0.68\mu H$ , AAM, one channel on


**Line Regulation**

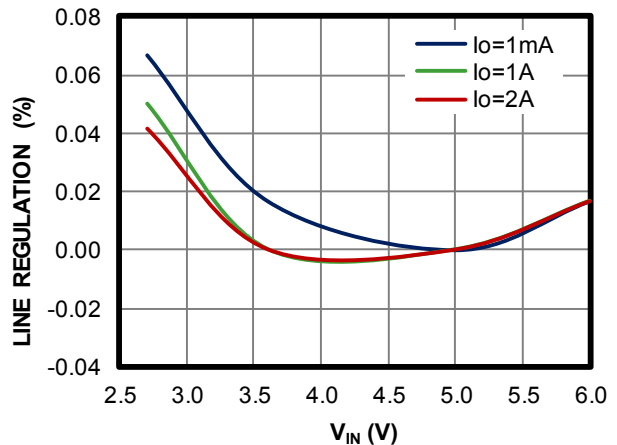
$V_{OUT2} = 1.2V$ , AAM, one channel on


**Line Regulation**

$V_{OUT1} = 1.8V$ ,  $L = 0.68\mu H$ , FCCM, one channel on


**Line Regulation**

$V_{OUT2} = 1.2V$ , FCCM, one channel on

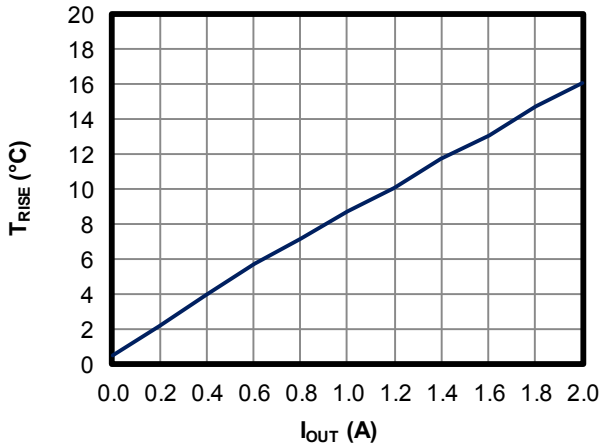


**TYPICAL PERFORMANCE CHARACTERISTICS (continued)**

$V_{IN} = 5V$ ,  $V_{OUT1} = 1.8V$ ,  $V_{OUT2} = 1.2V$ ,  $L1 = L2 = 1.5\mu H$ ,  $f_{SW} = 2.25MHz$ ,  $T_A = 25^\circ C$ , unless otherwise noted.

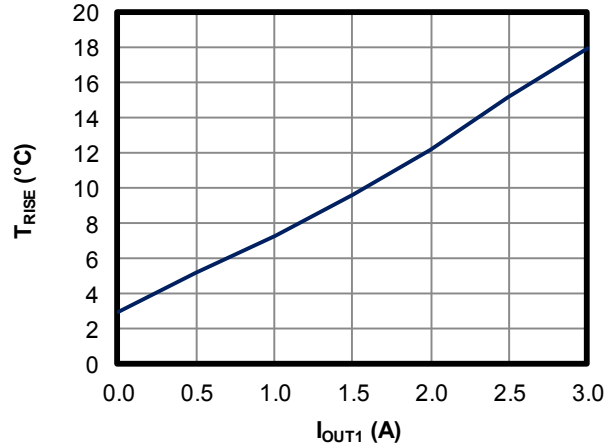
**Case Thermal Rise**

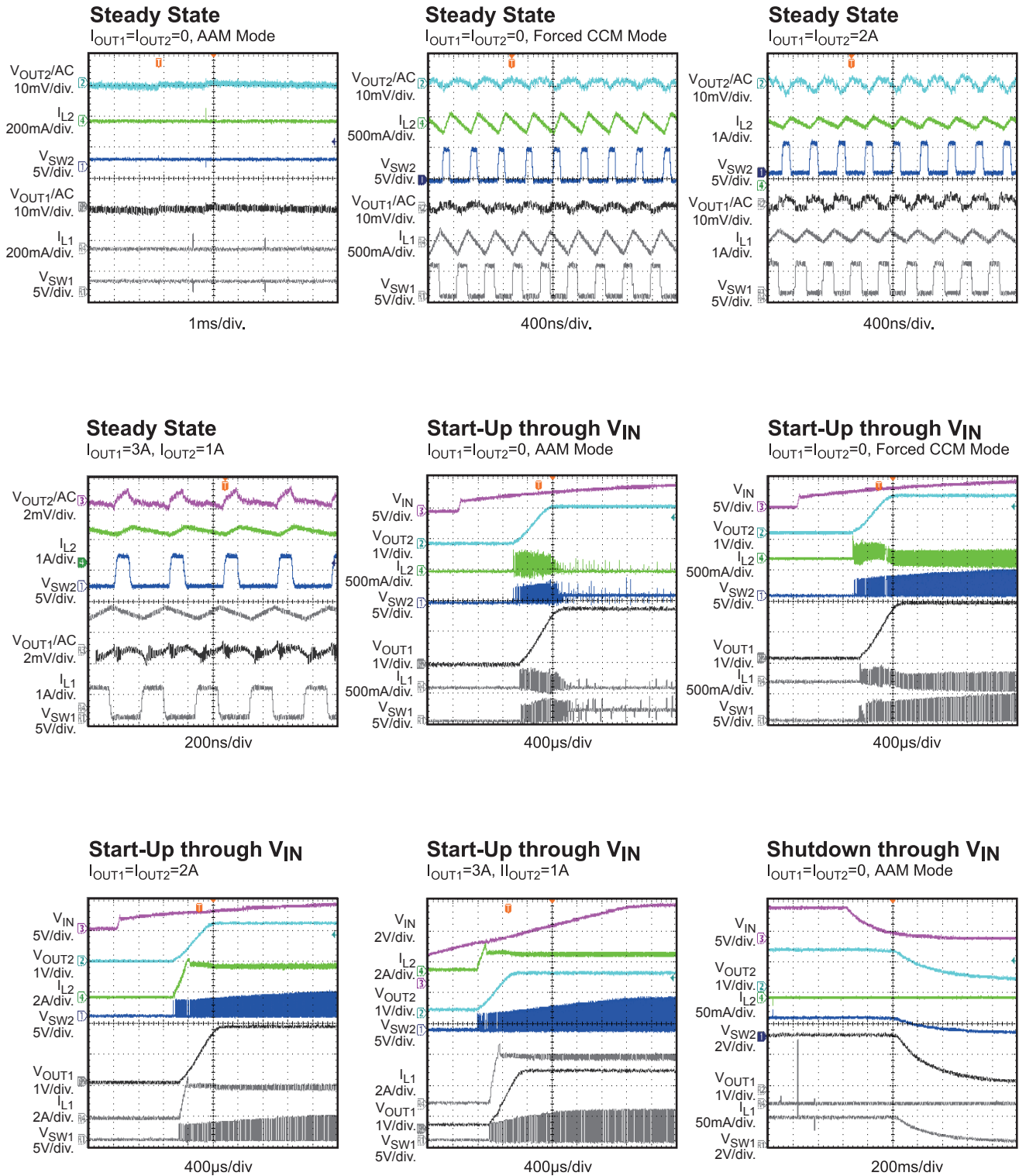
$V_{IN} = 5V$ ,  $I_{OUT1} = I_{OUT2} = 0A$  to  $2A$ , AAM, both channels on



**Case Thermal Rise**

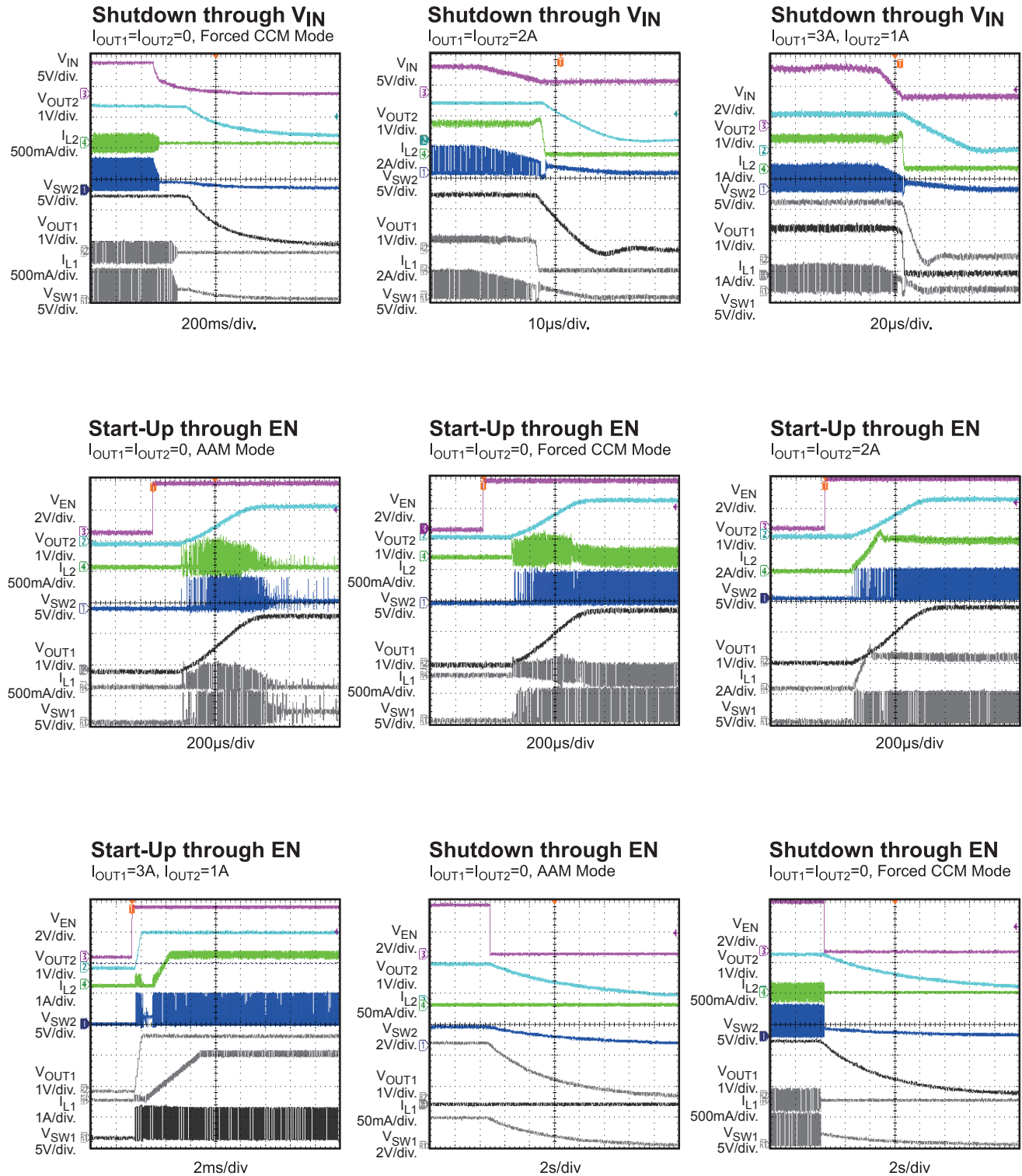
$V_{IN} = 5V$ ,  $I_{OUT1} = 0A$  to  $3A$ ,  $I_{OUT2} = 1A$ , AAM,  $L1 = 0.68\mu H$ , both channels on



**TYPICAL PERFORMANCE CHARACTERISTICS (continued)**
 $V_{IN} = 5V$ ,  $V_{OUT1} = 1.8V$ ,  $V_{OUT2} = 1.2V$ ,  $L1 = L2 = 1.5\mu H$ ,  $f_{sw} = 2.25MHz$ ,  $T_A = 25^\circ C$ , unless otherwise noted.


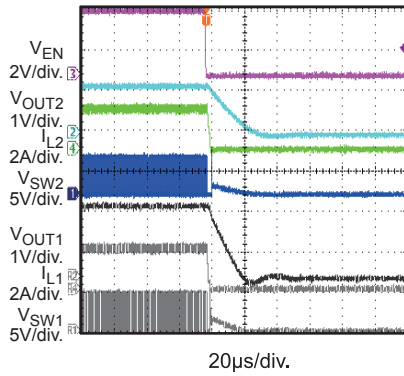
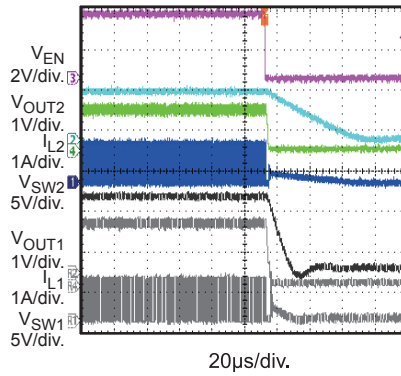
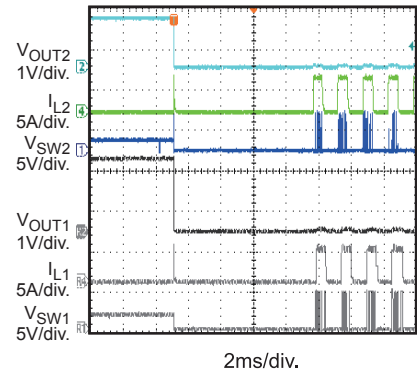
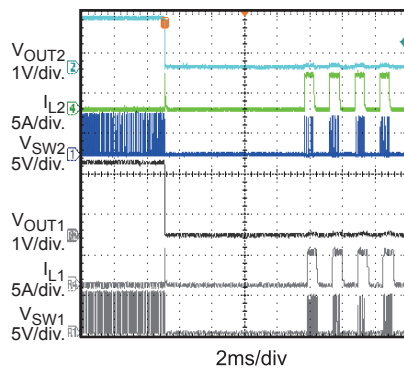
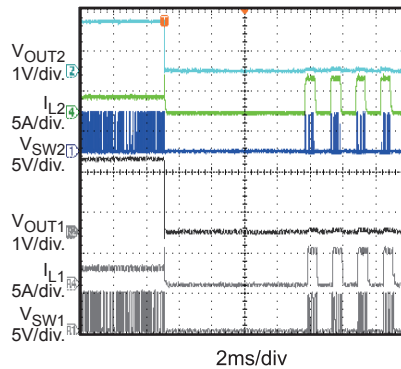
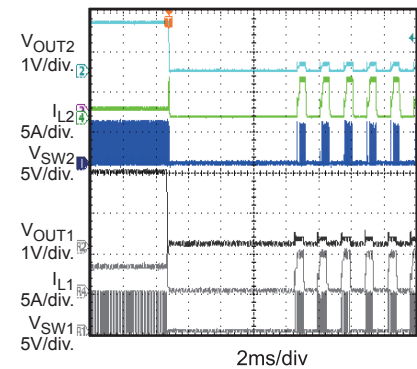
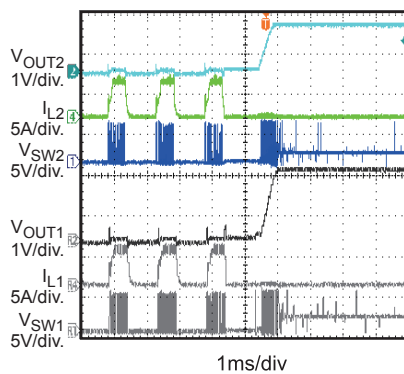
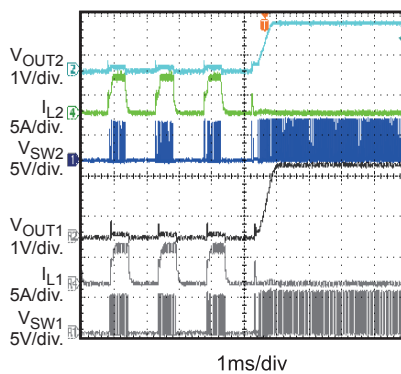
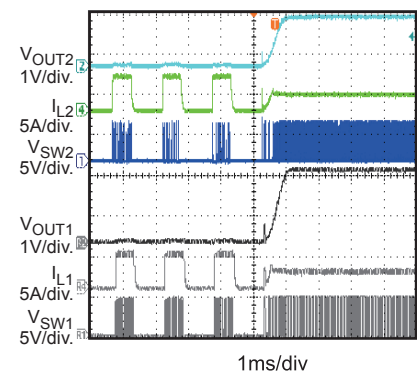
**TYPICAL PERFORMANCE CHARACTERISTICS (continued)**

$V_{IN} = 5V$ ,  $V_{OUT1} = 1.8V$ ,  $V_{OUT2} = 1.2V$ ,  $L1 = L2 = 1.5\mu H$ ,  $f_{sw} = 2.25MHz$ ,  $T_A = 25^\circ C$ , unless otherwise noted.



**TYPICAL PERFORMANCE CHARACTERISTICS (continued)**

$V_{IN} = 5V$ ,  $V_{OUT1} = 1.8V$ ,  $V_{OUT2} = 1.2V$ ,  $L1 = L2 = 1.5\mu H$ ,  $f_{sw} = 2.25MHz$ ,  $T_A = 25^\circ C$ , unless otherwise noted.

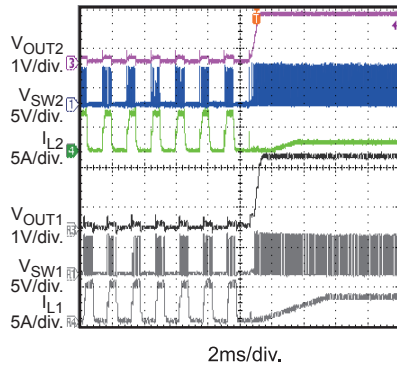
**Shutdown through EN**
 $I_{OUT1}=I_{OUT2}=2A$ 

**Shutdown through EN**
 $I_{OUT1}=3A, I_{OUT2}=1A$ 

**SCP Entry**
 $I_{OUT1}=I_{OUT2}=0$ , AAM Mode

**SCP Entry**
 $I_{OUT1}=I_{OUT2}=0$ , Forced CCM Mode

**SCP Entry**
 $I_{OUT1}=I_{OUT2}=2A$ 

**SCP Entry**
 $I_{OUT1}=3A, I_{OUT2}=1A$ 

**SCP Recovery**
 $I_{OUT1}=I_{OUT2}=0$ , AAM Mode

**SCP Recovery**
 $I_{OUT1}=I_{OUT2}=0$ , Forced CCM Mode

**SCP Recovery**
 $I_{OUT1}=I_{OUT2}=2A$ 




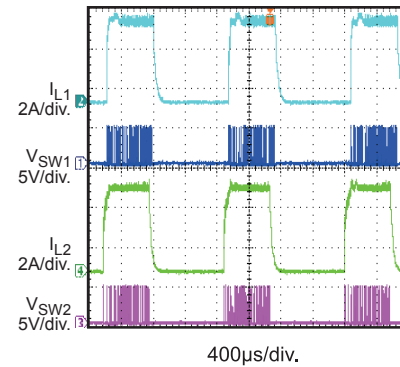
### TYPICAL PERFORMANCE CHARACTERISTICS (continued)

$V_{IN} = 5V$ ,  $V_{OUT1} = 1.8V$ ,  $V_{OUT2} = 1.2V$ ,  $L1 = L2 = 1.5\mu H$ ,  $f_{sw} = 2.25MHz$ ,  $T_A = 25^\circ C$ , unless otherwise noted.

**SCP Recovery**  
 $I_{OUT1}=3A$ ,  $I_{OUT2}=1A$

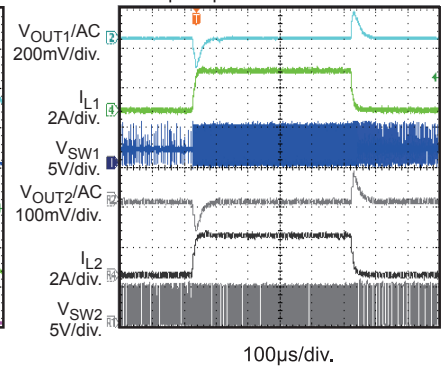


**SCP Steady State**



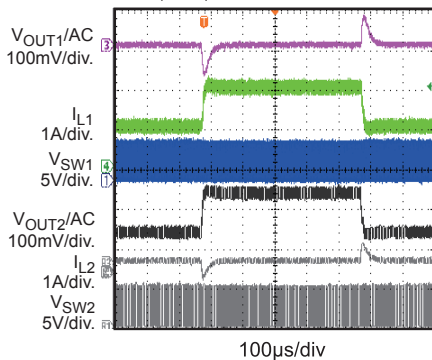
**Load Transient**

$I_{OUT1}=I_{OUT2}=0$  to 2A, AAM Mode,  $1.6A/\mu S$  Speed



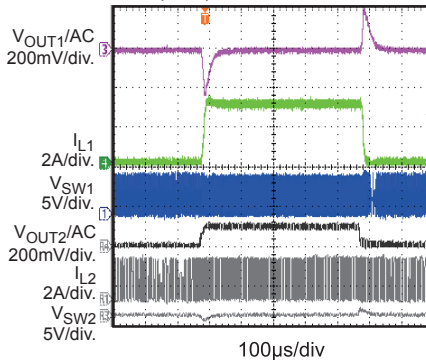
**Load Transient**

$I_{OUT1}=I_{OUT2}=1$  to 2A, AAM Mode,  $1.6A/\mu S$  Speed



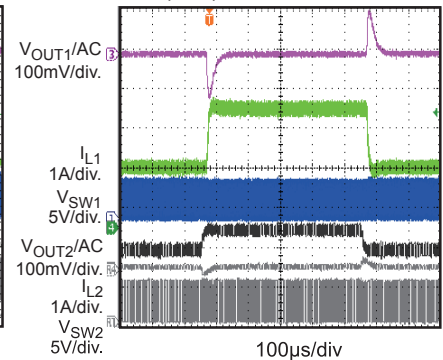
**Load Transient**

$I_{OUT1}=0$  to 3A,  $I_{OUT2}=0$  to 1A,  $1.6A/\mu S$  Speed



**Load Transient**

$I_{OUT1}=1.5$  to 3A,  $I_{OUT2}=0.5$  to 1A,  $1.6A/\mu S$  Speed



**PIN FUNCTIONS**

QFN-18 (2mmx3mm) Pin #	QFN-18 (2.5mmx3.5mm) Pin #	Name	Description
1	2	PGND2	<b>Power ground of channel 2.</b> Connect PGND2 with larger copper areas to the negative terminals of the input and output capacitors. PGND2 must connect to PGND1 externally on board.
2	3	SW2	<b>Switch node connection to the inductor for channel 2.</b> SW2 connects to the internal high- and low-side power MOSFET switches of the channel 2 buck.
3	4	VIN2	<b>Input supply for channel 2.</b> Place a decoupling capacitor to ground close to VIN2 to reduce switching spikes.
4	5	SS2	<b>Soft start for channel 2.</b> Place a capacitor from SS2 to GND to set the soft-start time externally. Floating this pin will activate the internal default 0.5ms soft-start setting.
5	6	FB2	<b>Feedback for channel 2.</b> FB2 is the input to the error amplifier of channel 2. An external resistive divider connects FB2 between the output and ground. The voltage on FB2 compares to the internal 0.6V reference to set the regulation voltage of channel 2.
6	7	AGND	<b>Analog ground.</b> Connect AGND to PGND externally.
7	8	VCC	<b>Power supply to the internal regulator for both channels.</b> Decouple with a 0.1µF to 1µF capacitor between VCC and AGND. Connect VIN1, VIN2, VCC together externally, it is not recommended to power them from separated power supply.
8	9	CCM	<b>AAM or forced CCM control.</b> Pull CCM high to enter forced CCM mode; pull CCM low to enter AAM mode at light load. Do not float CCM.
9	10	FB1	<b>Feedback for channel 1.</b> FB1 is the input to the error amplifier of channel 1. An external resistive divider connects FB1 between the output and GND. The voltage on FB1 compares to the internal 0.6V reference to set the regulation voltage of channel 1.
10	11	SS1	<b>Soft start for channel 1.</b> Place a capacitor from SS1 to GND to set the soft-start time externally. Floating this pin will activate the internal default 0.5ms soft-start setting.
11	12	VIN1	<b>Input supply for channel 1.</b> Place a decoupling capacitor to ground close to VIN1 to reduce switching spikes.
12	13	SW1	<b>Switch node connection to the inductor for channel 1.</b> SW1 connects to the internal high- and low-side power MOSFET switches of the channel 1 buck.
13	14	PGND1	<b>Power ground of channel 1.</b> Connect PGND1 with larger copper areas to the negative terminals of the input and output capacitors. PGND1 must connect to PGND2 externally on board.
14	15	PG1	<b>Power good for channel 1.</b> The output of PG1 is an open drain, a pull-up resistor to power source is needed if used. PG1 is pulled high when $V_{FB1}$ reaches 90% of $V_{REF}$ , it is pulled low to GND if $V_{FB1}$ drops to 82% of $V_{REF}$ .



**PIN FUNCTIONS (continued)**

QFN-18 (2mmx3mm) Pin #	QFN-18 (2.5mmx3.5mm) Pin #	Name	Description
15	16	EN1	<b>Enable control for channel 1.</b> Pull EN1 below the specified threshold 0.4V to shut the chip down. Pull EN above the specified threshold to 1.6V enable the chip. Do not float EN1.
16	17	FREQ	<b>Frequency set.</b> Connect a resistor to GND to set the switching frequency. The switching frequency can be synchronized by an external clock via FREQ.
17	18	EN2	<b>Enable control for channel 2.</b> Pull EN2 below the specified threshold 0.4V to shut the chip down. Pull EN above the specified threshold to 1.6V enable the chip. Do not float EN2.
18	1	PG2	<b>Power good for channel 2.</b> The output of PG2 is an open drain, a pull-up resistor to power source is needed if used. PG2 is pulled high when $V_{FB2}$ reaches 90% of $V_{REF}$ , it is pulled low to GND if $V_{FB2}$ drops to 82% of $V_{REF}$ .

### BLOCK DIAGRAM

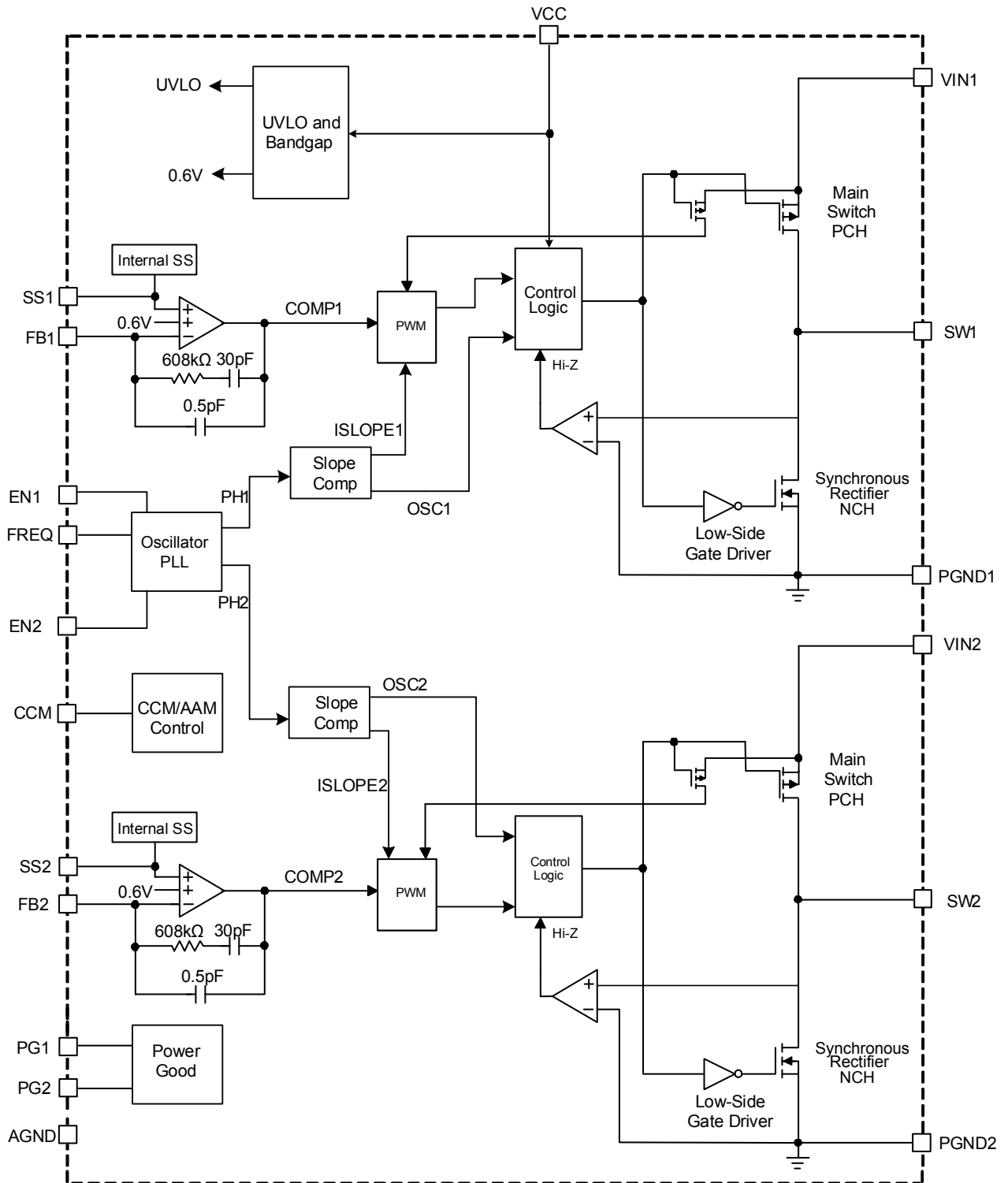


Figure 1: Functional Block Diagram

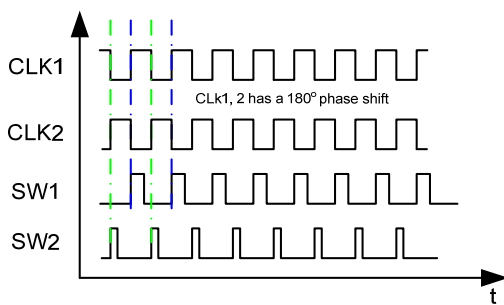
## OPERATION

The MPQ2166 is a fully integrated, dual-channel, synchronous, step-down converter. Both channels use peak-current-mode control with internal compensation for fast transient response and cycle-to-cycle current limit.

The MPQ2166 is optimized for low-voltage, portable applications where efficiency and small size are critical.

### 180° Out-of-Phase Operation

The MPQ2166 operates the two channels in 180° out-of-phase operation to reduce input current ripple, so a smaller input bypass capacitor can be used. When both channels operate in CCM, two internal clocks are used (see Figure 2). The high-side MOSFET is turned on at the clock rising edge of the corresponding channel.



**Figure 2: 180° Out-of-Phase Operation**

At low dropout, when the switching frequency is stretched out for each channel, the MPQ2166 runs at a fixed-off time with its own independent switching frequency. After the input voltage rises high again, frequency stretch mode ends, and PWM mode resumes and synchronizes with the master oscillator for out-of-phase operation.

### Light-Load Operation

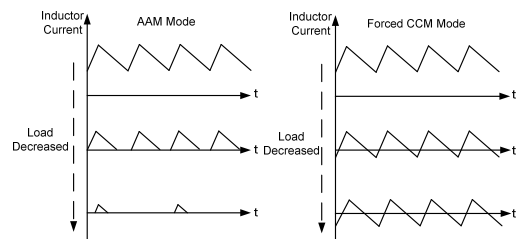
In light-load condition, the MPQ2166 can work in two different operating modes by setting CCM to different statuses.

The MPQ2166 works in forced continuous conduction mode (CCM) when the CCM pin is pulled higher than 1.6V. The MPQ2166 works with fixed frequency from no load to full load in this mode. The advantage of CCM is the controllable frequency and lower output ripple at light load.

The shutdown current in forced CCM mode (50µA at 3.3V) is much higher than AAM mode due to some internal circuits are active. It is recommended to pull CCM pin LOW when part is shutdown if the high shutdown current is cared.

The MPQ2166 works in advanced asynchronous mode (AAM) when CCM is pulled lower than 0.4V. AAM is used to optimize efficiency during light-load and no-load conditions.

When AAM mode is enabled, the MPQ2166 first enters non-synchronous operation as the inductor current approaches zero at light load. If the load decreases further or is at no load, which makes the internal COMP voltage ( $V_{COMP}$ ) decrease to the set value, then the MPQ2166 enters AAM. In AAM, the internal clock is reset whenever  $V_{COMP}$  crosses over the set value, and the crossover time is taken as the benchmark of the next clock. When the load increases and  $V_{COMP}$  is higher than the set value, the operation mode is in DCM or CCM, which has a constant switching frequency.



**Figure 3: AAM Mode and Forced CCM Mode**

### Enable

EN is a digital control pin that turns the regulator on and off.

When EN is pulled below falling threshold voltage 0.4V, the chip is shutdown. Forcing this pin above EN rising threshold voltage 1.6V turns on the part. Do not float EN.

### Soft Start (SS)

The MPQ2166 has a built-in soft start that ramps up the output voltage at a controlled slew rate, preventing an overshoot at start-up. The soft-start time is about 0.5ms, typically.

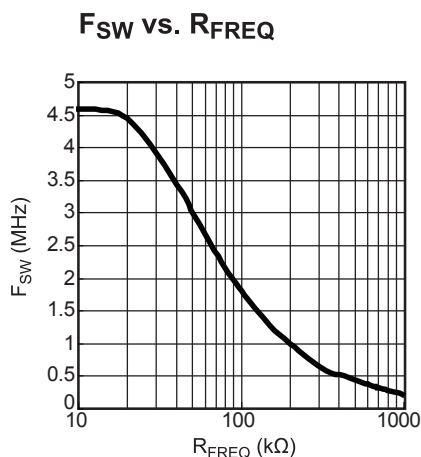
The soft-start time can also be programmed by an external capacitor connected to SS, shown in Equation (1):

$$t_{SS}(\text{ms}) = \frac{C_{SS}(\text{nF}) \times V_{REF}(\text{V})}{I_{SS}(\mu\text{A})} \quad (1)$$

Where  $C_{SS}$  is the external SS capacitor,  $V_{REF}$  is the internal reference voltage (0.6V), and  $I_{SS}$  is the 3.2 $\mu\text{A}$  SS charge current.

### Oscillator and SYNC Function

The internal oscillator frequency is set by a single external resistor ( $R_{FREQ}$ ) connected between FREQ and ground. The frequency setting resistor should be located close to the device. The relationship between the oscillator frequency and  $R_{FREQ}$  is shown in Figure 4.



**Figure 4: F<sub>SW</sub> vs. R<sub>FREQ</sub>**

FREQ can also be used to synchronize the internal oscillator to an external clock. The rising edge of the channel 1 clock is synchronized to the external clock rising edge, while the channel 2 clock remains at 180° out-of-phase to channel 1. The recommended external SYNC frequency is in the range of 350kHz to 3MHz. While there is no pulse width requirement, note that there is always parasitic capacitance of the pad there, so if the pulse width is too short, a clear rising and falling edge may not be seen. The pulse is recommended to be longer than 100ns.

Ensure to add the external SYNC clock (350kHz to 3MHz) before the device starts up and keep the SYNC clock until the device is off. Constant high, constant low and high/low transition for the SYNC signal are all not allowed during the operation.

### Power Good (PG)

The MPQ2166 has one power good (PG) output to indicate normal operation after the soft-start time. PG is the open drain of an internal MOSFET. It should be connected to VIN, VCC, or an external voltage source through a resistor (i.e.: 100kΩ). After the input voltage is applied, the MOSFET is turned on and PG is pulled to GND before SS is ready. After the FB voltage reaches 90% of the reference voltage ( $V_{REF}$ ), the MOSFET turns off and PG is pulled high by an external voltage source. When the FB voltage drops to 82% of  $V_{REF}$ , the PG voltage is pulled to GND to indicate a failure output.

### Current Limit and Short Circuit

Each channel of the MPQ2166 has a typical 4.5A current limit for the high-side switch. When FB drops to 60% of the reference value and SS is OK, the MPQ2166 treats this as a short and attempts to recover with hiccup mode.

In hiccup mode, the MPQ2166 disables the output power stage, slowly discharges the soft-start cap, and soft starts automatically. If the short-circuit condition still remains, the MPQ2166 repeats this operation cycle until the short circuit is removed and the output rises back to regulation levels.

### Dropout Operation

The MPQ2166 allows the high-side switch to remain on for more than one switching cycle and increases the duty cycle while the input voltage drops down to the output voltage. When the duty cycle reaches 100%, the high-side switch is on to deliver current to the output up to its current limit. The output voltage is then the difference between the input voltage and the voltage drop across the main switch and the inductor.

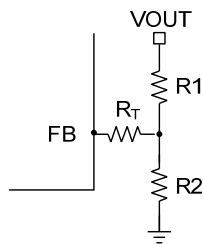
### Thermal Shutdown

The MPQ2166 has thermal protection by monitoring the IC temperature internally. This function prevents the chip from operating at an exceedingly high temperature. If the junction temperature exceeds the threshold value (typically 175°C), it shuts down the whole chip. This is a non-latch protection. There is a 40°C hysteresis. Once the junction temperature drops to about 135°C, the device resumes operation by initiating a soft start.

## APPLICATION INFORMATION

### Setting the Output Voltage

The external resistor divider sets the output voltage. The feedback resistor (R1) also sets the feedback loop bandwidth with the internal compensation. The T-type network is recommended. (see Figure 5).



**Figure 5: T-type Feedback Network**

$R_T + R_1$  is used to set the loop bandwidth. The lower  $R_T + R_1$  is, the higher the bandwidth. However, a high bandwidth may cause an insufficient phase margin, resulting in loop instability. Therefore, a proper  $R_T$  value is required to make a trade off between the bandwidth and phase margin. Table 1 lists the recommended feedback resistor and  $R_T$  values for output voltages.

$R_1$  is estimated to be 100k $\Omega$ .  $R_2$  can then be calculated with Equation (2):

$$R_2 = \frac{R_1}{\frac{V_{OUT}}{0.6V} - 1} \quad (2)$$

**Table 1: Resistor Selection vs. Output Voltage Setting**

V <sub>OUT</sub>	R <sub>T</sub>	R <sub>1</sub>	R <sub>2</sub>
1.2V	100k $\Omega$	100k $\Omega$	100k $\Omega$
1.5V	100k $\Omega$	100k $\Omega$	66.5k $\Omega$
1.8V	100k $\Omega$	100k $\Omega$	49.9k $\Omega$
2.5V	100k $\Omega$	100k $\Omega$	31.6k $\Omega$
3.3V	100k $\Omega$	100k $\Omega$	22.1k $\Omega$

In the case of ceramic capacitors used as output capacitors ( $C_O$ ), the feedback loop bandwidth ( $f_C$ ) is no higher than 1/10 of the switching frequency for optimal transient performance and good phase margin. If an electrolytic capacitor is used, the loop bandwidth is no higher than 1/4 of the ESR zero frequency ( $f_{ESR}$ ).  $f_{ESR}$  can be calculated by Equation (3):

$$f_{ESR} = \frac{1}{2\pi \times R_{ESR} \times C_O} \quad (3)$$

For example, choose  $f_C = 80\text{kHz}$  with a ceramic capacitor and  $C_O = 22\mu\text{F}$ .

### Inductor Selection

An inductor with a DC current rating at least 25% higher than the maximum load current is recommended for most applications. For best efficiency, the inductor DC resistance should be less than 20m $\Omega$ . For most designs, the inductance value can be derived from Equation (4):

$$L = \frac{V_{OUT} \times (V_{IN} - V_{OUT})}{V_{IN} \times \Delta I_L \times f_{SW}} \quad (4)$$

Where  $\Delta I_L$  is inductor ripple current. Choose the inductor ripple current to be approximately 30% of the maximum load current.

The maximum inductor peak current can be calculated with Equation (5):

$$I_{L(MAX)} = I_{LOAD} + \frac{\Delta I_L}{2} \quad (5)$$

### Input Capacitor Selection

The input capacitor reduces the surge current drawn from the input and the switching noise from the device. The input capacitor impedance at the switching frequency should be less than the input source impedance to prevent high-frequency switching current from passing to the input source. Ceramic capacitors with X5R or X7R dielectrics are highly recommended because of their low ESR and small temperature coefficients. For most applications, a 22 $\mu\text{F}$  capacitor is sufficient.

### Output Capacitor Selection

The output capacitor ( $C_O$ ) keeps the output voltage ripple small and ensures a stable regulation loop. The output capacitor impedance should be low at the switching frequency. Use ceramic capacitors with X5R or X7R dielectrics. If an electrolytic capacitor is used, pay close attention to the output ripple voltage, extra heating, and the selection of the upper feedback resistor due to the large ESR of electrolytic capacitor (refer to the Setting the

Output Voltage section). The output ripple ( $\Delta V_{OUT}$ ) can be approximated with Equation (6):

$$\Delta V_{OUT} = \frac{V_{OUT} \times (V_{IN} - V_{OUT})}{V_{IN} \times L \times f_{SW}} \times \left( ESR + \frac{1}{8 \times f_{SW} \times C_o} \right) \quad (6)$$

### Power Dissipation

IC power dissipation is important in circuit design, not only because of efficiency concerns, but also because of the chip's thermal requirements. Several parameters influence power dissipation, such as conduction loss (Cond), dead time (DT), switching loss (SW), MOSFET driver current (DR), and supply current (S).

Based on these parameters, we can estimate the power loss with Equation (7):

$$P_{LOSS} = P_{Cond} + P_{DT} + P_{SW} + P_{DR} + P_S \quad (7)$$

### Thermal Regulation

Changes in IC temperatures change the electrical characteristics, especially when the temperature exceeds the IC's recommended operating range. Managing the IC's temperature requires additional considerations to ensure that the IC runs within the maximum allowable temperature junction. Specific layout designs can improve the thermal profile while limiting costs to either the efficiency or operating range.

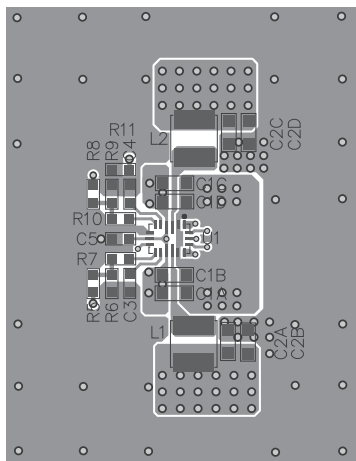
For the MPQ2166, connect the ground pin on the package to a ground plane on top of the PCB to use this plane as a heat sink. Connect this ground plane to the ground planes beneath the IC using vias to improve heat dissipation. However, given that these ground planes can introduce unwanted EMI noise and occupy valuable PCB space, design their size and shape to match the thermal resistance requirement.

Connecting the ground pin to a heat sink cannot guarantee that the IC will not exceed its recommended temperature limits (i.e.: the ambient temperature exceeds the IC's temperature limits). If the ambient air temperature approaches the IC's temperature limit, the IC can be de-rated to operate using less power and help prevent thermal damage and unwanted electrical characteristics.

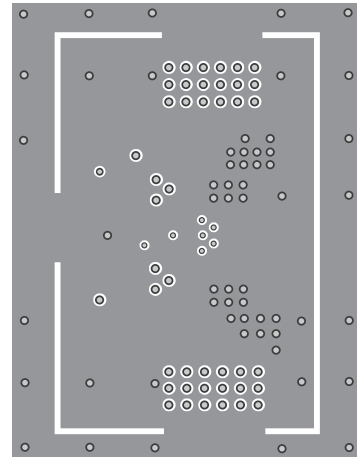
### PCB Layout Guidelines<sup>7)</sup>

Efficient PCB layout is critical for stable operation. A four-layer layout is strongly recommended to achieve better thermal performance. For best results, refer to Figure 6 and follow the guidelines below.

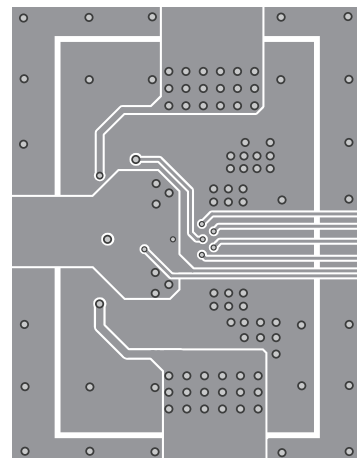
1. Place the high-current paths (PGND, VIN, and SW) very close to the device with short, direct, and wide traces.
2. Place input capacitors on both VIN sides and as close to VIN and PGND as possible.
3. Place the decoupling capacitor as close to VCC and AGND as possible.
4. Keep the switching node SW short and away from the feedback network.
5. Place the external feedback resistors next to FB. Do not place vias on the FB trace.
6. Connect PGND to a large copper area to achieve better thermal performance.



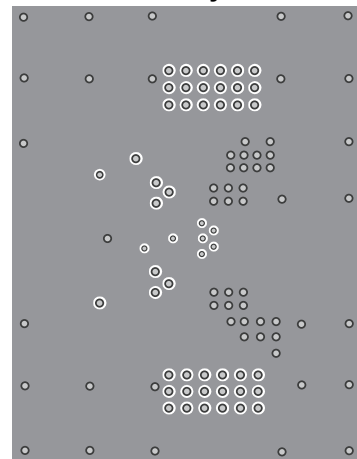
**Top Layer**



**Inner Layer 1**



**Inner Layer 2**



**Bottom Layer**

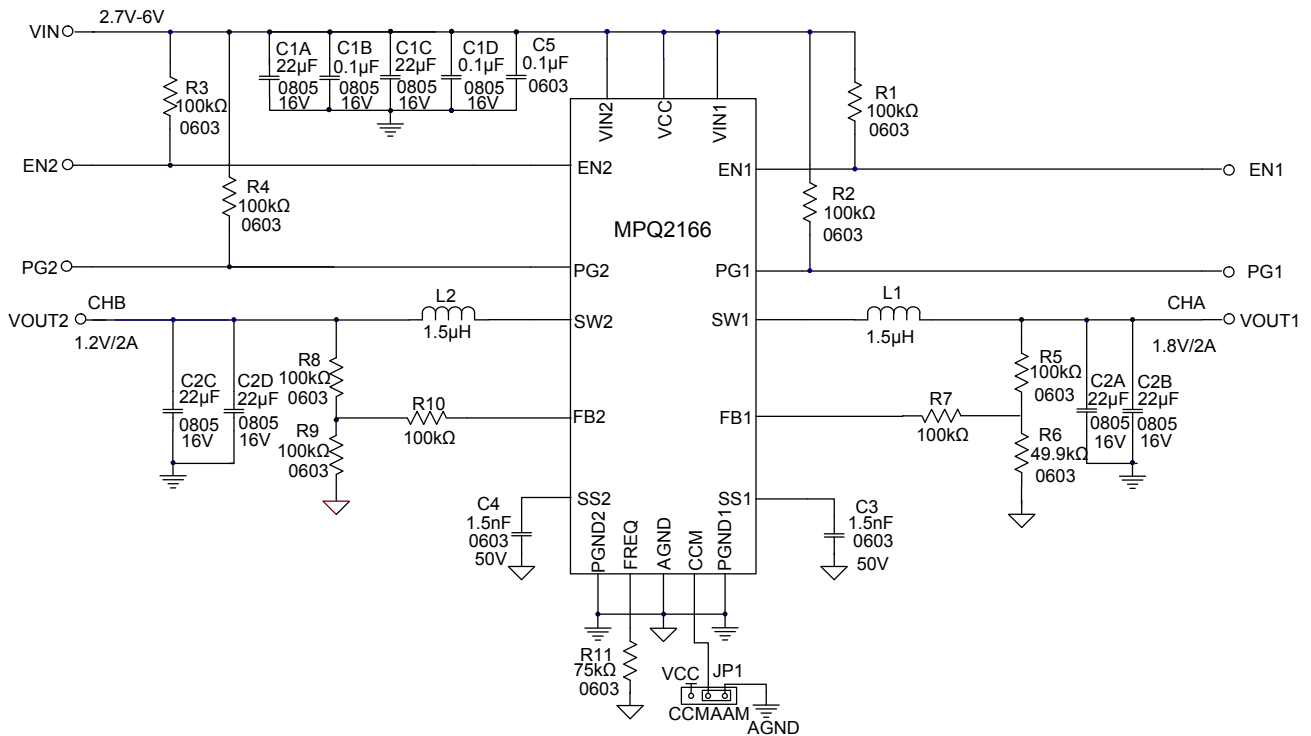
**Figure 6: Recommended PCB Layout**

**NOTE:**

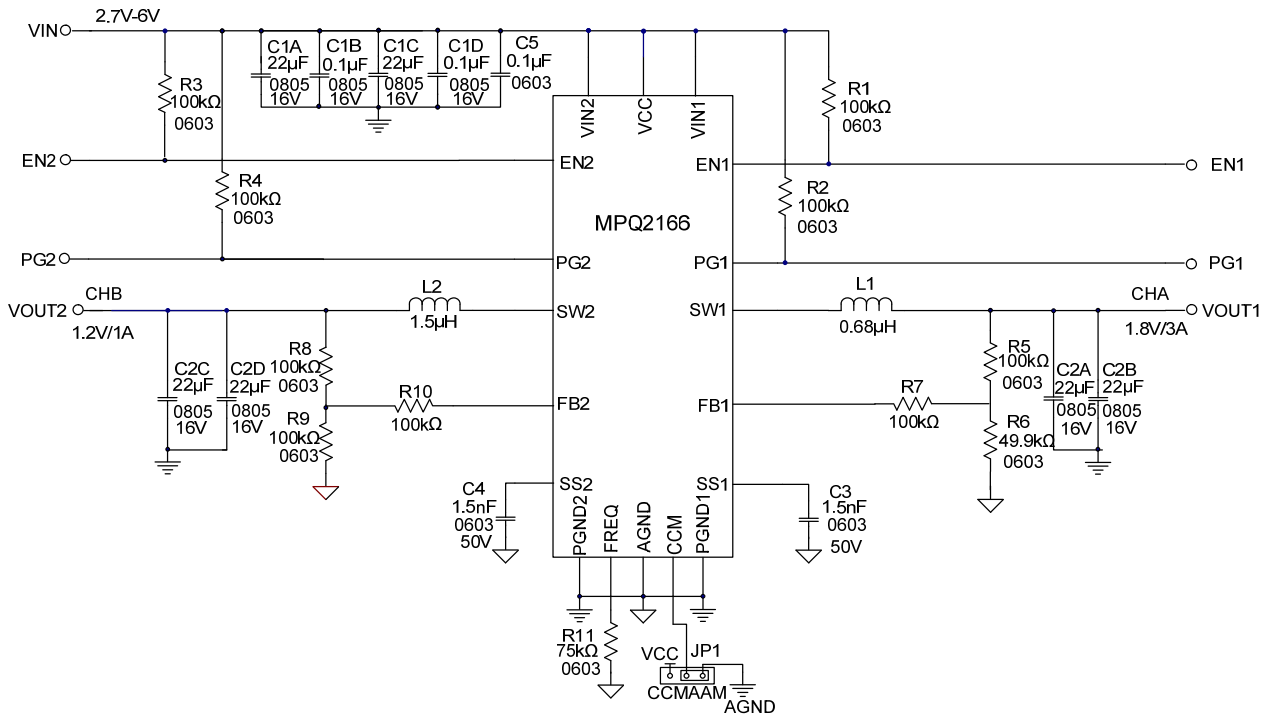
- 7) The recommended PCB layout is based on Figure 7.



## TYPICAL APPLICATION CIRCUITS



**Figure 7: 2A/2A Application Circuit**

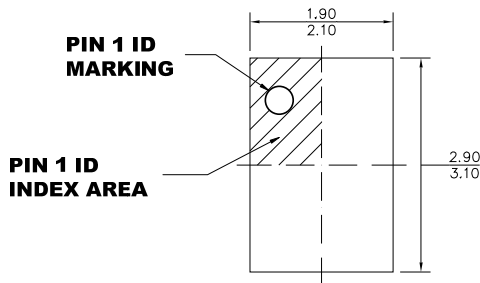


**Figure 8: 3A/1A Application Circuit**

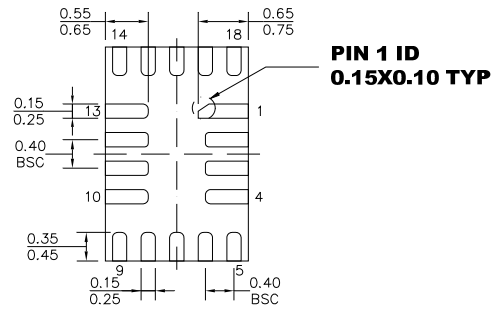


## PACKAGE INFORMATION

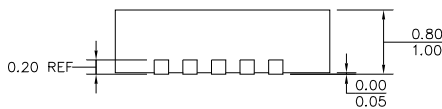
**QFN-18 (2mmx3mm)**  
**Non-Wettable Flank**



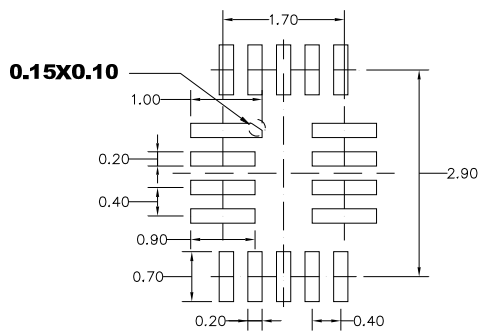
**TOP VIEW**



**BOTTOM VIEW**



**SIDE VIEW**



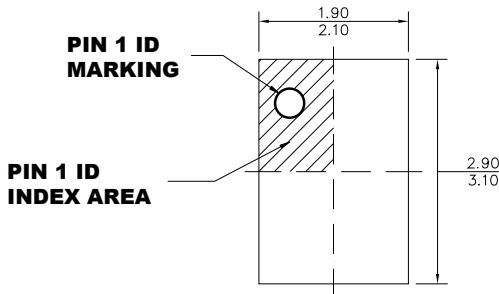
**RECOMMENDED LAND PATTERN**

### NOTE:

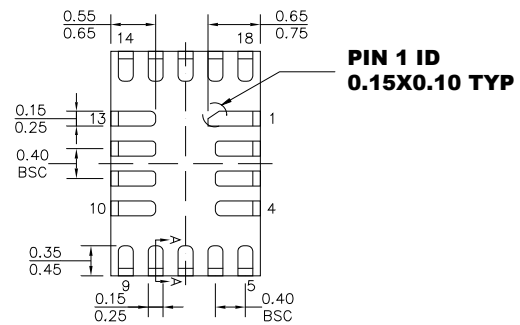
- 1) ALL DIMENSIONS ARE IN MILLIMETERS.
- 2) EXPOSED PADDLE SIZE DOES NOT INCLUDE MOLD FLASH.
- 3) LEAD COPLANARITY SHALL BE 0.10 MILLIMETERS MAX.
- 4) JEDEC REFERENCE IS MO-220.
- 5) DRAWING IS NOT TO SCALE.

**PACKAGE INFORMATION** (continued)

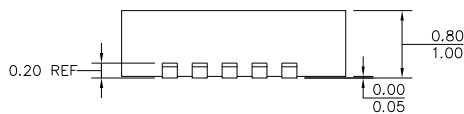
**QFN-18 (2mmx3mm)  
Wettable Flank**



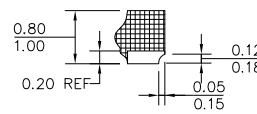
**TOP VIEW**



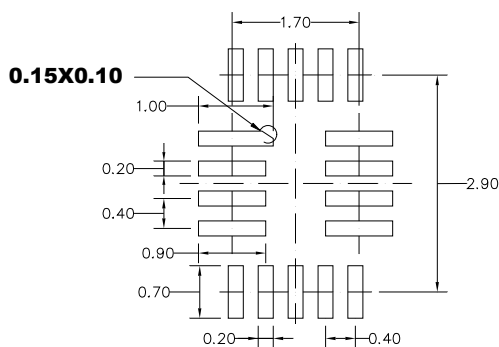
**BOTTOM VIEW**



**SIDE VIEW**



**SECTION A-A**



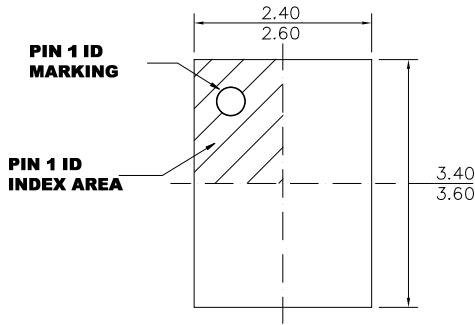
**RECOMMENDED LAND PATTERN**

**NOTE:**

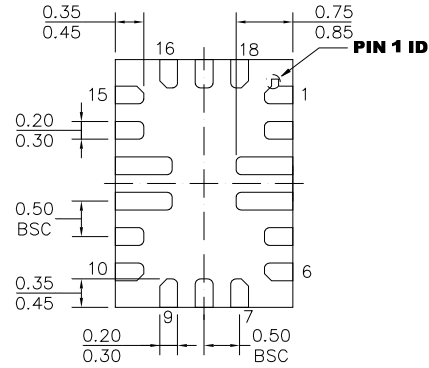
- 1) THE LEAD SIDE IS WETTABLE.
- 2) ALL DIMENSIONS ARE IN MILLIMETERS.
- 3) LEAD COPLANARITY SHALL BE 0.08 MILLIMETERS MAX.
- 4) JEDEC REFERENCE IS MO-220.
- 5) DRAWING IS NOT TO SCALE.

**PACKAGE INFORMATION** (continued)

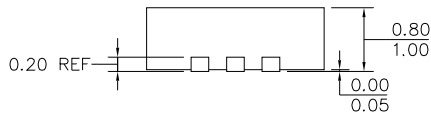
**QFN-18 (2.5mmx3.5mm)**  
**Non-Wettable Flank**



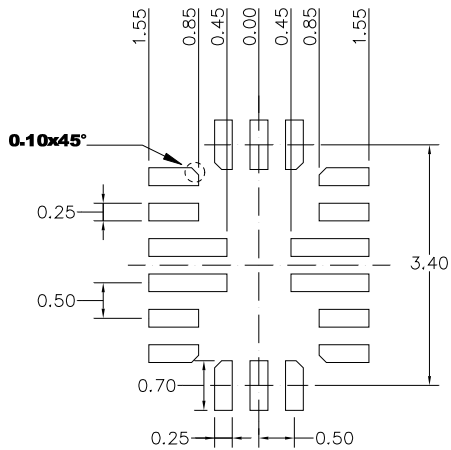
**TOP VIEW**



**BOTTOM VIEW**



**SIDE VIEW**



**RECOMMENDED LAND PATTERN**

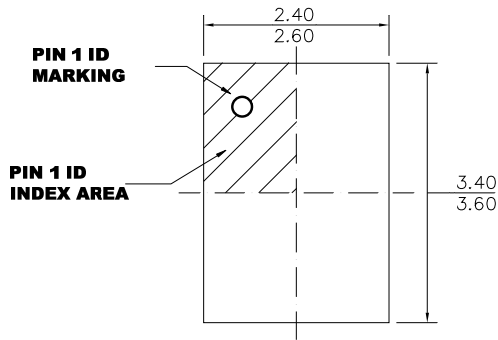
**NOTE:**

- 1) LAND PATTERNS OF PIN3, 4, 12 AND 13 HAVE THE SAME LENGTH AND WIDTH.
- 2) ALL DIMENSIONS ARE IN MILLIMETERS.
- 3) LEAD COPLANARITY SHALL BE 0.10 MILLIMETERS MAX.
- 4) JEDEC REFERENCE IS MO-220.
- 5) DRAWING IS NOT TO SCALE.

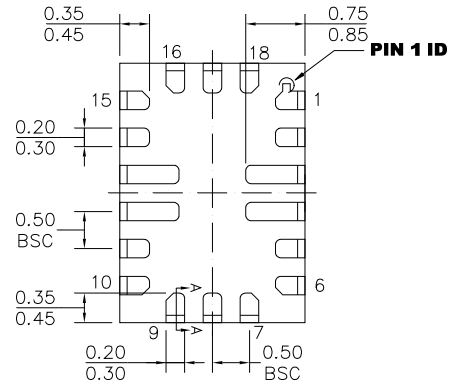
**PACKAGE INFORMATION** (continued)

**QFN-18 (2.5mmx3.5mm)**

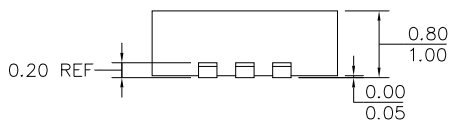
**Wettable Flank**



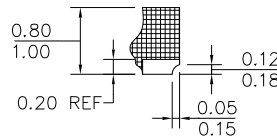
**TOP VIEW**



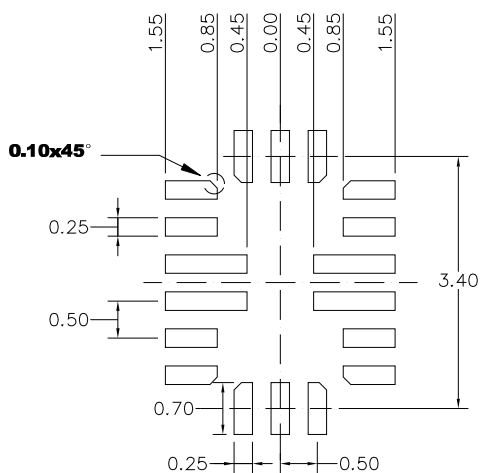
**BOTTOM VIEW**



**SIDE VIEW**



**SECTION A-A**

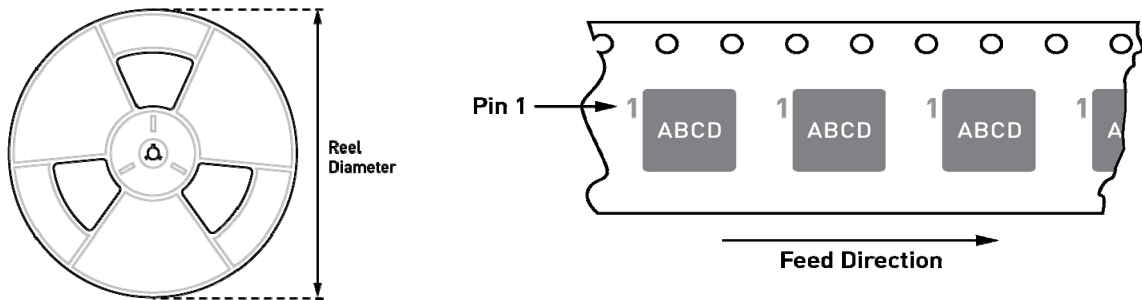


**RECOMMENDED LAND PATTERN**

**NOTE:**

- 1) THE LEAD SIDE IS WETTABLE.
- 2) LAND PATTERNS OF PIN3, 4, 12 AND 13 HAVE THE SAME LENGTH AND WIDTH.
- 3) ALL DIMENSIONS ARE IN MILLIMETERS.
- 4) LEAD COPLANARITY SHALL BE 0.08 MILLIMETERS MAX.
- 5) JEDEC REFERENCE IS MO-220.
- 6) DRAWING IS NOT TO SCALE.

### CARRIER INFORMATION



Part Number	Package Description	Quantity /Reel	Quantity/ Tube*	Reel Diameter	Carrier Tape Width	Carrier Tape Pitch
MPQ2166GD-Z	QFN-18 (2mmx3mm)	5000	N/A	13in.	12mm	8mm
MPQ2166GD-AEC1-Z						
MPQ2166GDE-AEC1-Z						
MPQ2166GRH-Z	QFN-18 (2.5mmx3.5mm)	5000	N/A	13in.	12mm	8mm
MPQ2166GRH-AEC1-Z						
MPQ2166GRHE-AEC1-Z						

\* N/A indicates "not available" in tubes. For 500 piece tape & reel prototype quantities, see factory. (Order code for 500 piece partial reel is "-P", tape & reel dimensions same as full reel.)