

## DESCRIPTION

The MPQ2908A is a high-voltage, synchronous, step-down controller that directly steps down voltages from up to 60V. The MPQ2908A uses pulse-width modulation (PWM) current control architecture with accurate cycle-by-cycle current limiting and is capable of driving dual N-channel MOSFETs.

Advanced asynchronous modulation (AAM) mode enables non-synchronous operation to optimize light-load efficiency.

The operating frequency of the MPQ2908A can be programmed by an external resistor or synchronized to an external clock for noise-sensitive applications. Full protection features include precision output over-voltage protection (OVP), output over-current protection (OCP), and thermal shutdown.

The MPQ2908A is available in TSSOP20-EP and QFN-20 (3mmx4mm) packages.

## FEATURES

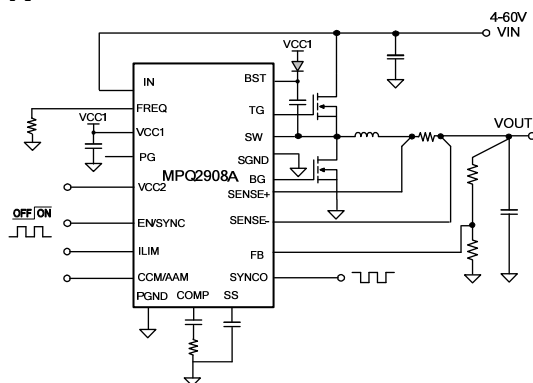
- Wide 4V to 60V Operating Input Range
- Dual N-Channel MOSFET Driver
- 0.8V Voltage Reference with  $\pm 1.5\%$  Accuracy Over Temperature
- Low Dropout Operation: Maximum Duty Cycle at 99.5%
- Programmable Frequency Range: 100kHz - 1000kHz
- External Sync Clock Range: 100kHz - 1000kHz
- 180° Out-of-Phase SYNCO Pin
- Programmable Soft Start (SS)
- Power Good (PG) Output Voltage Monitor
- Selectable Cycle-by-Cycle Current Limit
- Output Over-Voltage Protection (OVP)
- Over-Current Protection (OCP)
- Internal LDO with External Power Supply Option
- Programmable FCCM and AAM Mode
- Available in TSSOP20-EP and QFN-20 (3mmx4mm) Packages
- Available in a Wettable Flank Package
- Available in AEC-Q100 Grade-1

## APPLICATIONS

- Automotive
- Industrial Control Systems

All MPS parts are lead-free, halogen-free, and adhere to the RoHS directive. For MPS green status, please visit the MPS website under Quality Assurance. "MPS", the MPS logo, and "Simple, Easy Solutions" are trademarks of Monolithic Power Systems, Inc. or its subsidiaries.

## TYPICAL APPLICATION



### ORDERING INFORMATION

| Part Number*       | Package          | Top Marking |
|--------------------|------------------|-------------|
| MPQ2908AGF         | TSSOP-20 EP      | See Below   |
| MPQ2908AGL         | QFN-20 (3mmx4mm) | See Below   |
| MPQ2908AGF-AEC1    | TSSOP-20 EP      | See Below   |
| MPQ2908AGL-AEC1    | QFN-20 (3mmx4mm) | See Below   |
| MPQ2908AGLE-AEC1** | QFN-20 (3mmx4mm) | See Below   |

\*For Tape & Reel, add suffix -Z (e.g. MPQ2908AGF-Z)

\*\*Wettable flank

#### TOP MARKING (MPQ2908AGF & MPQ2908AGF-AEC1)

**MPSYYWW**  
**MP2908A**  
**LLLLLLLLL**

MPS: MPS prefix  
 YY: Year code  
 WW: Week code  
 MP2908A: Part number  
 LLLLLLLLL: Lot number

#### TOP MARKING (MPQ2908AGL & MPQ2908AGL-AEC1)

**MPYW**  
**2908**  
**ALLL**

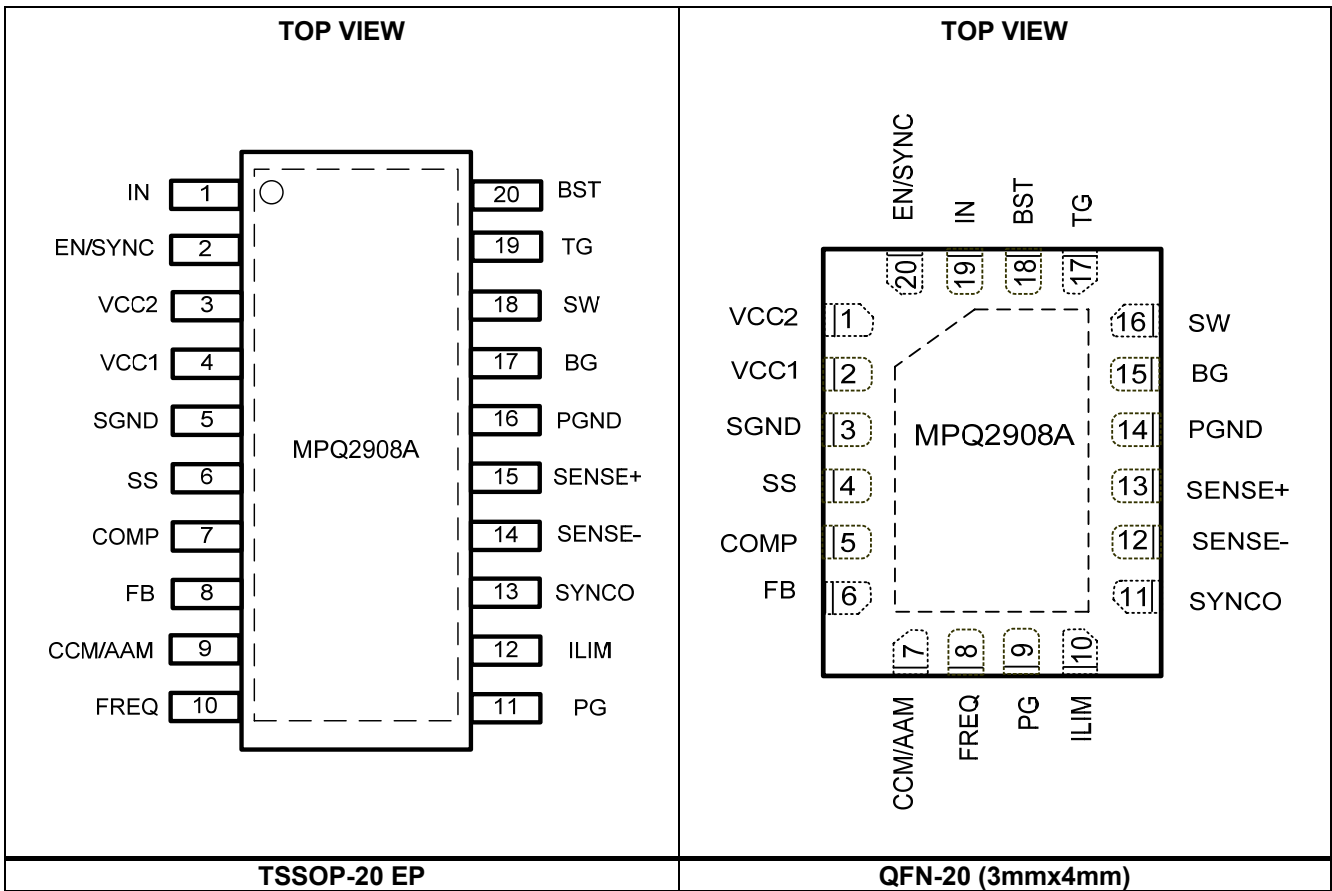
MP: MPS prefix  
 Y: Year code  
 W: Week code  
 2908A: Part number  
 LLL: Lot number

#### TOP MARKING (MPQ2908AGLE-AEC1)

**MPYW**  
**2908**  
**ALLL**  
**E**

MP: MPS prefix  
 Y: Year code  
 W: Week code  
 2908A: Part number  
 LLL: Lot number  
 E: Wettable lead flank

### PACKAGE REFERENCE



#### ABSOLUTE MAXIMUM RATINGS <sup>(1)</sup>

|   |                                     |
|---|-------------------------------------|
| Input supply voltage ( $V_{IN}$ )   | 65V                                 |
| BST supply voltage ( $V_{BST}$ )  | $V_{IN} + 6.5V$                     |
| SW  | -0.3V to 65V                        |
| EN/SYNC   | 55V                                 |
| BST - SW  | 6.5V                                |
| Supply voltage (VCC1)   | 6.5V                                |
| External supply voltage (VCC2)  | 15V                                 |
| SENSE + / -   | 28V                                 |
| Differential sense (SENSE+ to SENSE-)   | -0.7V to +0.7V                      |
| TG  | $V_{SW} - 0.3V$ to $V_{BST} + 0.3V$ |
| BG  | -0.3V to $V_{CC1} + 0.3V$           |
| All other pins  | -0.3V to +6.5V                      |
| <b>Continuous power dissipation (<math>T_A = +25^\circ C</math>) <sup>(2)</sup></b> |                                     |
| TSSOP-20 EP   | 3.1W                                |
| QFN-20 (3mmx4mm)  | 2.6W                                |
| Junction temperature  | 150°C                               |
| Lead temperature  | 260°C                               |
| Storage temperature   | -65°C to +175°C                     |

#### Recommended Operating Conditions

|                                    |                 |
|------------------------------------|-----------------|
| Supply voltage ( $V_{IN}$ )        | 4V to 60V       |
| Output voltage ( $V_{OUT}$ )       | $\leq 25V$      |
| Supply voltage for (VCC2)          | 4.7V to 12V     |
| Operating junction temp. ( $T_J$ ) | -40°C to +125°C |

#### Thermal Resistance <sup>(3)</sup> $\theta_{JA}$ $\theta_{JC}$

|                  |    |    |      |
|------------------|----|----|------|
| TSSOP-20 EP      | 40 | 8  | °C/W |
| QFN-20 (3mmx4mm) | 48 | 10 | °C/W |

#### Notes:

- 1) Absolute maximum are rated under room temperature unless otherwise noted. Exceeding these ratings may damage the device.
- 2) The maximum allowable power dissipation is a function of the maximum junction temperature  $T_J$  (MAX), the junction-to-ambient thermal resistance  $\theta_{JA}$ , and the ambient temperature  $T_A$ . The maximum allowable continuous power dissipation at any ambient temperature is calculated by  $P_D$  (MAX) =  $(T_J$  (MAX) -  $T_A$ ) /  $\theta_{JA}$ . Exceeding the maximum allowable power dissipation produces an excessive die temperature, causing the regulator to go into thermal shutdown. Internal thermal shutdown circuitry protects the device from permanent damage.
- 3) Measured on JESD51-7, 4-layer PCB.

## ELECTRICAL CHARACTERISTICS

$V_{IN} = 24V$ ,  $T_J = -40^{\circ}C$  to  $+125^{\circ}C$ ,  $V_{EN} = 2V$ ,  $V_{LIMIT} = 75mV$ , unless otherwise noted.

| Parameters                                   | Symbol             | Condition   | Min   | Typ   | Max   | Units   |
|--|--------------------|---|-------|-------|-------|---------|
| <b>Input Supply</b>                          |                    |   |       |       |       |         |
| $V_{IN}$ UVLO threshold (rising)             | $IN_{UV\_RISING}$  |   | 4     | 4.5   | 5     | V       |
| $V_{IN}$ UVLO threshold (falling)            | $IN_{UV\_FALLING}$ |   | 3.2   | 3.7   | 3.95  | V       |
| $V_{IN}$ UVLO hysteresis                     | $IN_{UV\_HYS}$     |   |       | 800   |       | mV      |
| $V_{IN}$ supply current with VCC2 bias       | $I_{Q\_VCC2}$      | VCC2 = 12V, external bias, $V_{AAM} = 5V$ , $V_{FB} = 0.84V$ , SENSE+ = SENSE- = 0V, no switching |       | 25    | 40    | $\mu A$ |
| $V_{IN}$ supply current without VCC2 bias    | $I_Q$              | VCC2 = 0V, $V_{FB} = 0.84V$ , $V_{AAM} = 5V$ , SENSE+ = SENSE- = 0V, no switching                 |       | 750   | 1000  | $\mu A$ |
| $V_{IN}$ AAM current                         | $I_{Q\_AAM}$       | VCC2 = 0V, $V_{AAM} = 0.6V$ , $V_{FB} = 0.84V$ , SENSE+ = SENSE- = 12V, no switching              |       | 250   | 350   | $\mu A$ |
| $V_{IN}$ shutdown current                    | $I_{SHDN}$         | $V_{EN} = 0V$   |       | 0.5   | 5     | $\mu A$ |
| <b>VCC Regulator</b>                         |                    |   |       |       |       |         |
| VCC1 regulator output voltage from $V_{IN}$  | $VCC1\_VIN$        | $V_{IN} > 6V$ , load = 0 to 50mA  | 4.5   | 5     | 5.5   | V       |
| VCC1 regulator load regulation from $V_{IN}$ |                    | Load = 0 to 50mA, VCC2 floating or connected to SGND  |       | 1     | 3     | %       |
| VCC1 regulator output voltage from VCC2      | $VCC1\_VCC2$       | VCC2 > 6V   |       | 5     |       | V       |
| VCC1 regulator load regulation from VCC2     |                    | Load = 0 to 50mA, VCC2 = 12V  |       | 1     | 3     | %       |
| VCC2 UVLO threshold (rising)                 | $VCC2\_RISING$     |   | 4.3   | 4.7   | 4.92  | V       |
| VCC2 UVLO threshold (falling)                | $VCC2\_FALLING$    |   | 4.05  | 4.45  | 4.75  | V       |
| VCC2 threshold hysteresis                    | $VCC2\_HYS$        |   |       | 250   |       | mV      |
| VCC2 supply current                          | $I_{VCC2}$         | $V_{AAM} = 5V$ , $V_{FB} = 0.84V$ , SENSE+ = SENSE- = 12V, VCC2 = 12V, no switching               |       | 800   | 1100  | $\mu A$ |
|  |                    | $V_{AAM} = 0.6V$ , $V_{FB} = 0.84V$ , SENSE+ = SENSE- = 12V, VCC2 = 12V, no switching             |       | 200   | 300   | $\mu A$ |
| <b>Feedback (FB)</b>                         |                    |   |       |       |       |         |
| Feedback voltage                             | $V_{FB}$           | $4V \leq V_{IN} \leq 60V$   | 0.788 | 0.800 | 0.812 | V       |
| Feedback current                             | $I_{FB}$           | $V_{FB} = 0.8V$   |       | 10    |       | nA      |
| <b>Enable (EN/SYNC)</b>                      |                    |   |       |       |       |         |
| Enable threshold (rising)                    | $V_{EN\_RISING}$   |   | 1.16  | 1.22  | 1.28  | V       |
| Enable threshold (falling)                   | $V_{EN\_FALLING}$  |   | 1.03  | 1.09  | 1.15  | V       |
| Enable threshold hysteresis                  | $V_{EN\_TH}$       |   |       | 130   |       | mV      |
| Enable input current                         | $I_{EN}$           | $V_{EN} = 2V$   |       | 2     | 5     | $\mu A$ |
| Enable turn-off delay                        | $t_{OFF}$          |   | 10    | 20    | 40    | $\mu s$ |

**ELECTRICAL CHARACTERISTICS (continued)**
 **$V_{IN} = 24V$ ,  $T_J = -40^{\circ}C$  to  $+125^{\circ}C$ ,  $V_{EN} = 2V$ ,  $V_{LIMIT} = 75mV$ , unless otherwise noted.**

| Parameters                                 | Symbol              | Condition                         | Min  | Typ      | Max  | Units       |
|--|---------------------|-----------------------------------|------|----------|------|-------------|
| <b>Oscillator and Sync</b>                 |                     |                                   |      |          |      |             |
| Operating frequency                        | $F_{SW}$            | $R_{FREQ} = 45.3k\Omega$          | 340  | 430      | 520  | kHz         |
| Foldback operating frequency               | $F_{SW\_FOLDBACK}$  | $V_{FB} = 0.1V$                   |      | 50%      |      | $F_{SW}$    |
| Maximum programmable frequency             | $F_{SWH}$           |                                   | 1000 |          |      | kHz         |
| Minimum programmable frequency             | $F_{SWL}$           |                                   |      |          | 100  | kHz         |
| EN/SYNC frequency range                    | $F_{SYNC}$          |                                   | 100  |          | 1000 | kHz         |
| EN/SYNC voltage rising threshold           | $V_{SYNC\_RISING}$  |                                   | 2    |          |      | V           |
| EN/SYNC voltage falling threshold          | $V_{SYNC\_FALLING}$ |                                   |      |          | 0.35 | V           |
| <b>Current Sense</b>                       |                     |                                   |      |          |      |             |
| Current sense common mode voltage range    | $V_{SENSE+/-}$      |                                   | 0    |          | 25   | V           |
| Current limit sense voltage                | $V_{LIMIT}$         | $ILIM = SGND, V_{SENSE+} = 3.3V$  | 15   | 25       | 35   | mV          |
|  |                     | $ILIM = VCC1, V_{SENSE+} = 3.3V$  | 40   | 50       | 60   | mV          |
|  |                     | $ILIM = FLOAT, V_{SENSE+} = 3.3V$ | 65   | 75       | 85   | mV          |
| Reverse current limit sense voltage        | $V_{REV\_LIMIT}$    | $ILIM = SGND, V_{SENSE+} = 3.3V$  |      | 8        |      | mV          |
|  |                     | $ILIM = VCC1, V_{SENSE+} = 3.3V$  |      | 17       |      |             |
|  |                     | $ILIM = FLOAT, V_{SENSE+} = 3.3V$ |      | 24       |      |             |
| Valley current limit                       | $V_{VAL\_LIMIT}$    | $ILIM = SGND, V_{SENSE+} = 3.3V$  |      | 22.5     |      | mV          |
|  |                     | $ILIM = VCC1, V_{SENSE+} = 3.3V$  |      | 47.5     |      |             |
|  |                     | $ILIM = FLOAT, V_{SENSE+} = 3.3V$ |      | 72.5     |      |             |
| Input current of sensor                    | $I_{SENSE}$         | $V_{SENSE+/-CM} = 0V$             | -70  | -45      | -20  | $\mu A$     |
|  |                     | $V_{SENSE+/-CM} = 3.3V$           | 80   | 115      | 160  | $\mu A$     |
|  |                     | $V_{SENSE+/-CM} > 5V$             | 105  | 150      | 205  | $\mu A$     |
| <b>Soft Start (SS)</b>                     |                     |                                   |      |          |      |             |
| Soft-start source current                  | $I_{SS}$            | $SS = 0.5V$                       | 2    | 4        | 6    | $\mu A$     |
| <b>Error Amplifier (EA)</b>                |                     |                                   |      |          |      |             |
| Error amp transconductance <sup>(4)</sup>  | $G_m$               | $\Delta V = 5mV$                  |      | 500      |      | $\mu S$     |
| Error amp open loop DC gain <sup>(4)</sup> | $A_O$               |                                   |      | 70       |      | dB          |
| Error amp sink/source current              | $I_{EA}$            | $FB = 0.7/0.9V$                   |      | $\pm 30$ |      | $\mu A$     |
| <b>Protection</b>                          |                     |                                   |      |          |      |             |
| Over-voltage threshold                     | $V_{OV}$            |                                   | 110% | 115%     | 120% | $V_{FB}$    |
| Over-voltage hysteresis                    | $V_{OV\_HYS}$       |                                   |      | 10%      |      | $V_{FB}$    |
| Thermal shutdown <sup>(5)</sup>            |                     |                                   |      | 170      |      | $^{\circ}C$ |
| Thermal shutdown hysteresis <sup>(5)</sup> |                     |                                   |      | 20       |      | $^{\circ}C$ |

**ELECTRICAL CHARACTERISTICS (continued)**
 $V_{IN} = 24V$ ,  $T_J = -40^{\circ}C$  to  $+125^{\circ}C$ ,  $V_{EN} = 2V$ ,  $V_{LIMIT} = 75mV$ , unless otherwise noted.

| Parameters                         | Symbol              | Condition                 | Min  | Typ  | Max    | Units    |
|------------------------------------|---------------------|---------------------------|------|------|--------|----------|
| <b>Gate Driver</b>                 |                     |                           |      |      |        |          |
| TG pull-up resistor                | $R_{TG\_PULLUP}$    |                           |      | 2    |        | $\Omega$ |
| TG pull-down resistor              | $R_{TG\_PULLDN}$    |                           |      | 1    |        | $\Omega$ |
| BG pull-up resistor                | $R_{BG\_PULLUP}$    |                           |      | 3    |        | $\Omega$ |
| BG pull-down resistor              | $R_{BG\_PULLDN}$    |                           |      | 1    |        | $\Omega$ |
| Dead time                          | $t_{dead}$          | $C_{Load} = 3.3nF$        |      | 60   |        | ns       |
| TG maximum duty cycle              | $D_{max}$           | $V_{FB} = 0.7V$           | 98   | 99.5 |        | %        |
| TG minimum on time <sup>(5)</sup>  | $t_{ON\_MIN\_TG}$   |                           |      | 92   |        | ns       |
| BG minimum on time                 | $t_{ON\_MIN\_BG}$   |                           |      | 175  | 250    | ns       |
| <b>Power Good (PG)</b>             |                     |                           |      |      |        |          |
| Power good low                     | $V_{PG\_Low}$       | $I_{load} = 4mA$          |      | 0.1  | 0.3    | V        |
| PG rising threshold                | $PG_{Vth\_RSING}$   | $V_{OUT}$ rising          | 85%  | 90%  | 96.5%  | $V_{FB}$ |
|                                    |                     | $V_{OUT}$ falling         | 101% | 107% | 112.5% |          |
| PG falling threshold               | $PG_{Vth\_FALLING}$ | $V_{OUT}$ falling         | 81%  | 87%  | 92.5%  | $V_{FB}$ |
|                                    |                     | $V_{OUT}$ rising          | 105% | 110% | 116.5% |          |
| PG threshold hysteresis            | $PG_{Vth\_HYS}$     |                           |      | 3%   |        | $V_{FB}$ |
| Power good leakage                 | $I_{PG\_LK}$        | $PG = 5V$                 |      |      | 2      | $\mu A$  |
| Power good delay                   | $t_{PG\_delay}$     | Rising                    |      | 28   |        | $\mu s$  |
|                                    |                     | Falling                   |      | 28   |        |          |
| <b>AAM Mode/CCM</b>                |                     |                           |      |      |        |          |
| AAM mode output current            | $I_{AAM}$           | $R_{FREQ} = 45.3 k\Omega$ |      | 13.2 |        | $\mu A$  |
| CCM required AAM threshold voltage | $V_{CCM\_TH}$       |                           | 2.3  |      |        | V        |

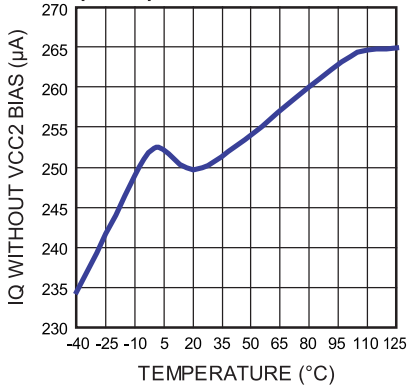
**Notes:**

- 4) Guaranteed by design. Not tested in production.
- 5) Derived from bench characterization. Not tested in production.

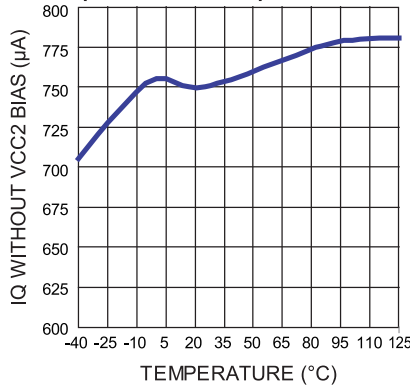
## TYPICAL CHARACTERISTICS

$V_{IN} = 24V$ ,  $T_J = -40^{\circ}C$  to  $+125^{\circ}C$ , unless otherwise noted.

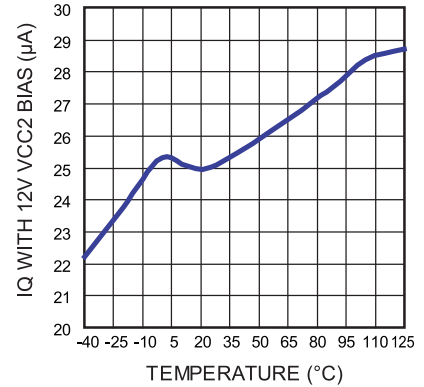
**Quiescent Current without VCC2 Bias vs. Temperature (AAM)**



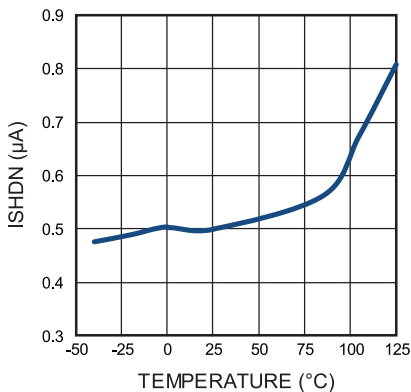
**Quiescent Current without VCC2 Bias vs. Temperature (Forced CCM)**



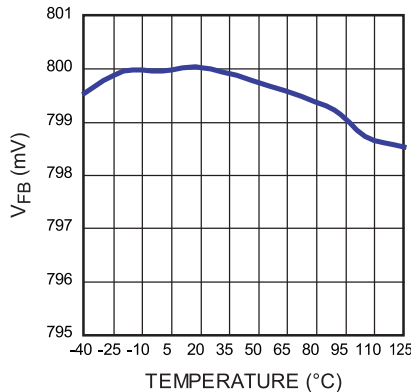
**Quiescent Current with 12V VCC2 Bias vs. Temperature**



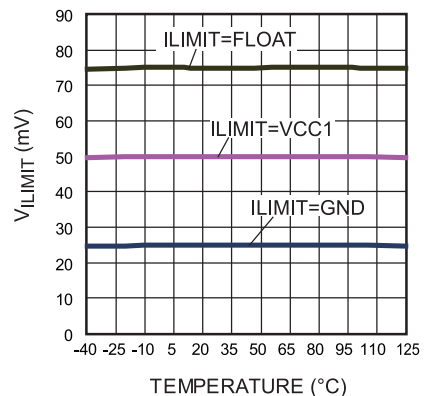
**Shutdown Current vs. Temperature**



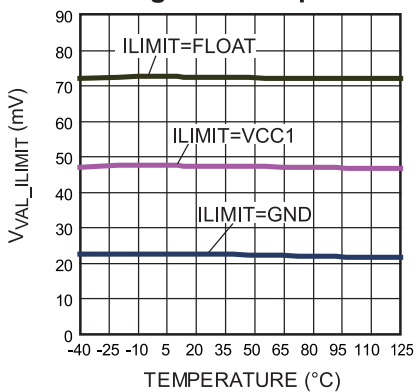
**Feedback Reference vs. Temperature**



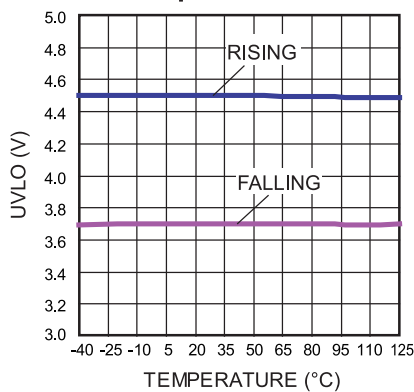
**Current Limit Sense Voltage vs. Temperature**



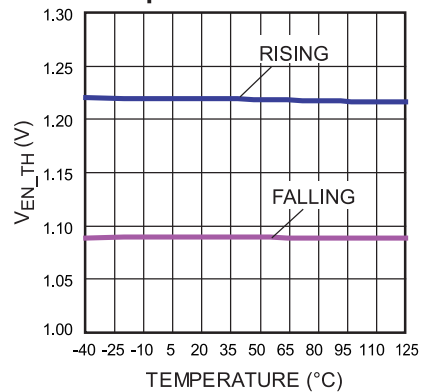
**Valley Current Limit Sense Voltage vs. Temperature**



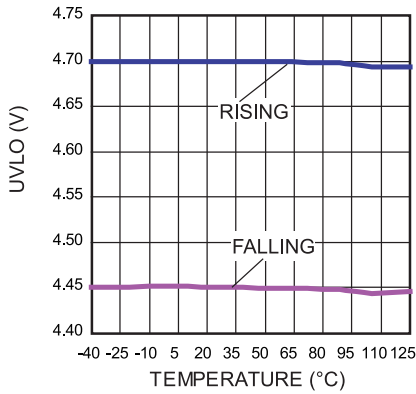
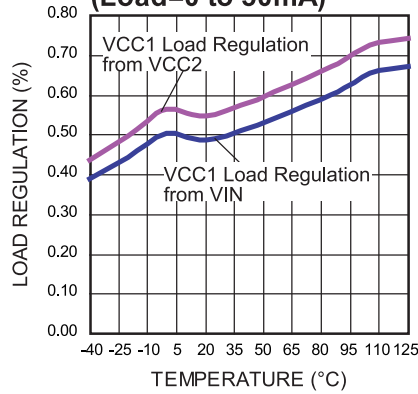
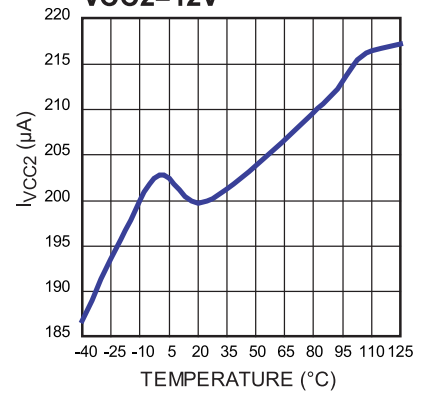
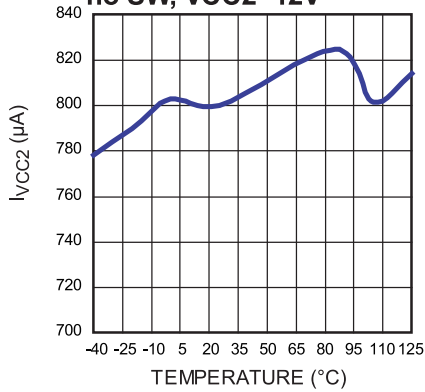
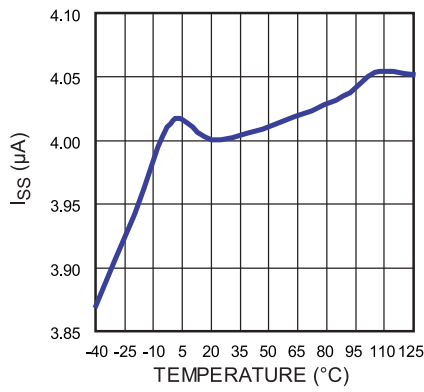
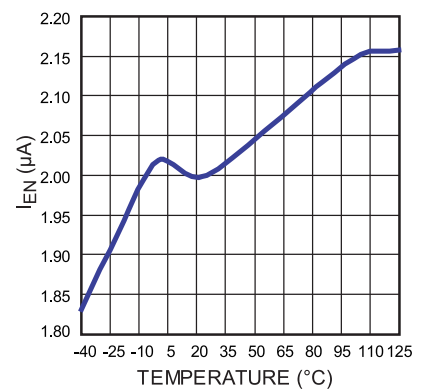
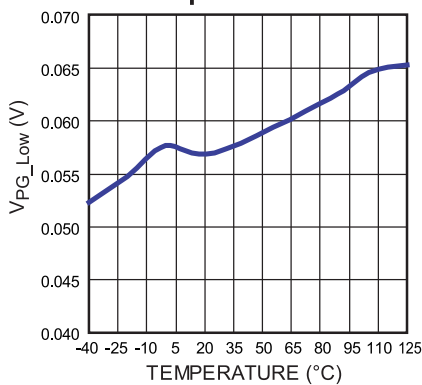
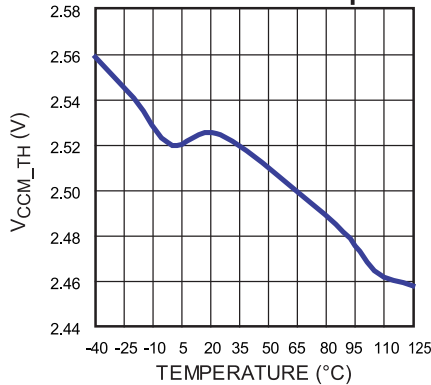
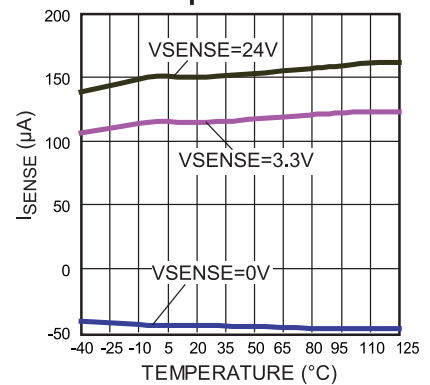
**$V_{IN}$  UVLO Threshold vs. Temperature**



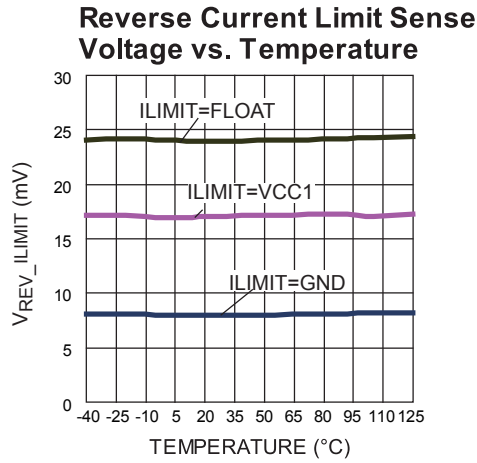
**EN/SYNC Threshold vs. Temperature**

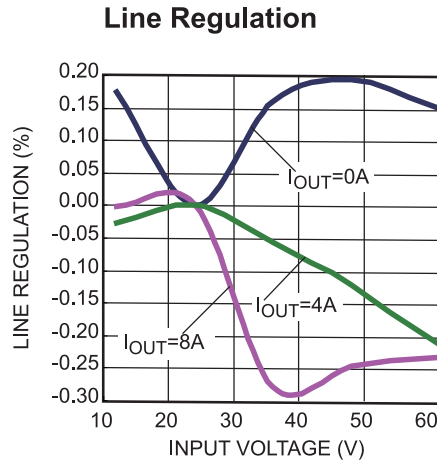
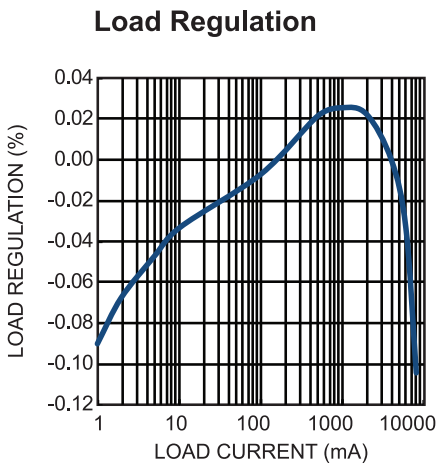
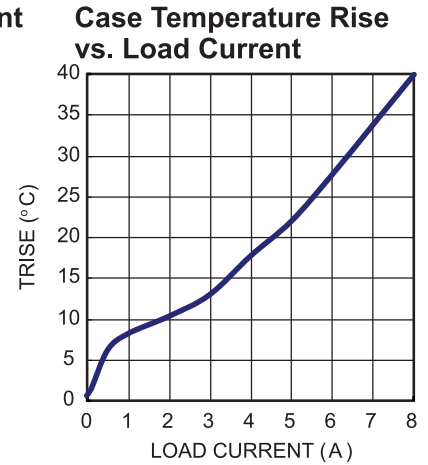
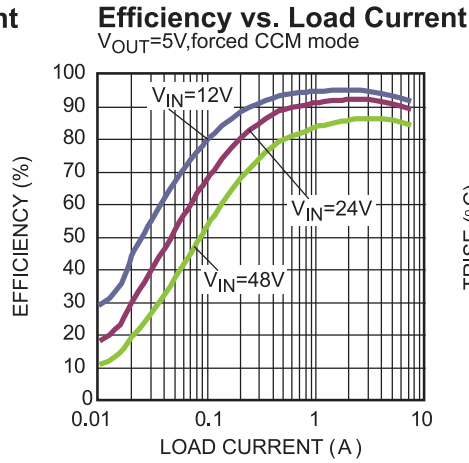
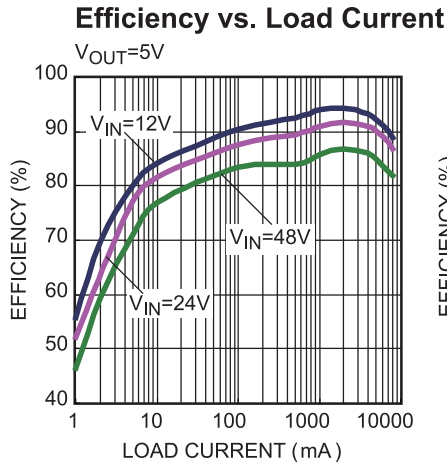


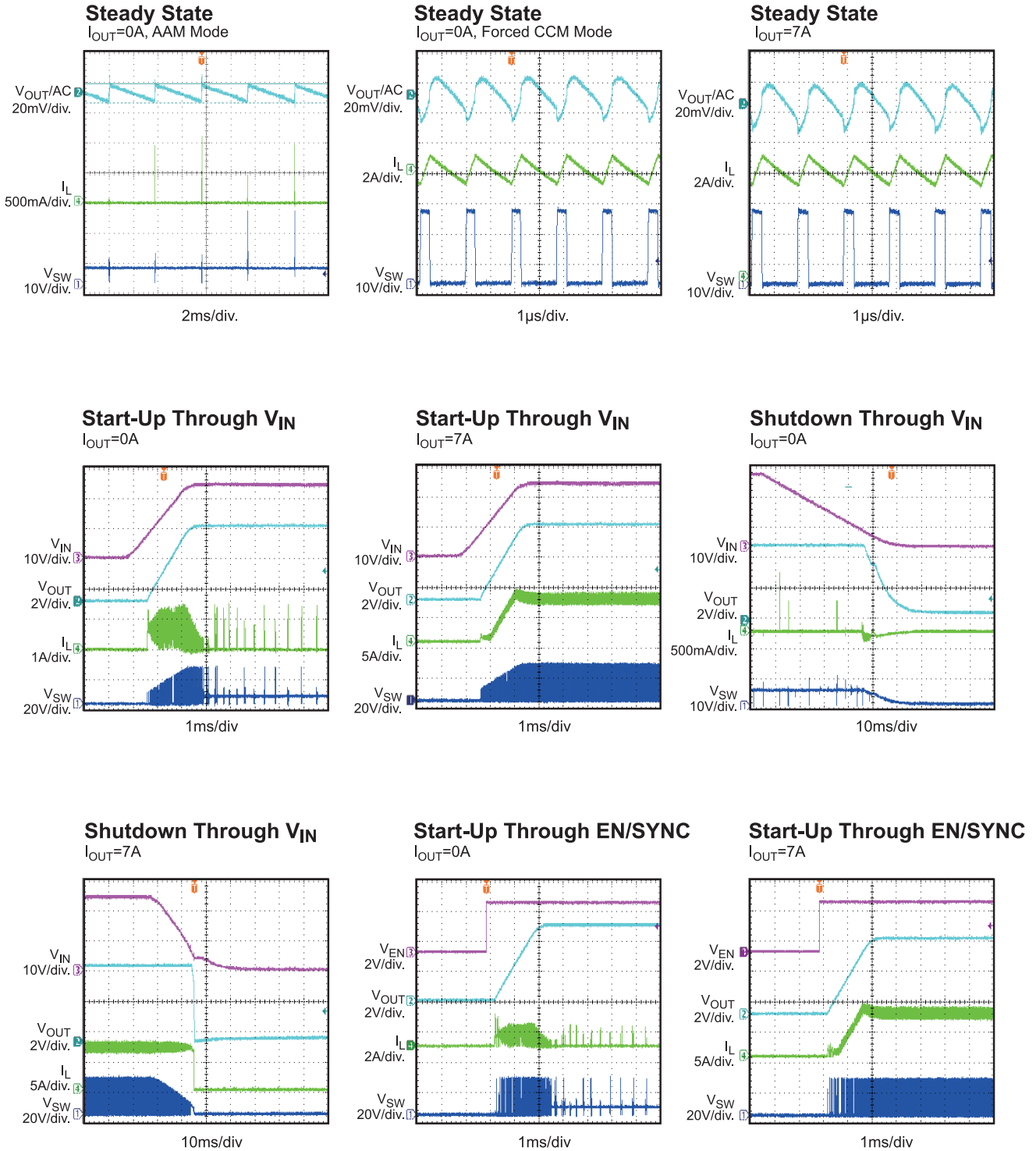
**TYPICAL CHARACTERISTICS (continued)**
 $V_{IN} = 24V$ ,  $T_J = -40^{\circ}C$  to  $+125^{\circ}C$ , unless otherwise noted.

**VCC2 UVLO Threshold vs. Temperature**

**VCC1 Load Regulation vs. Temperature (Load=0 to 50mA)**

**VCC2 Supply Current vs. Temperature, AAM, no SW, VCC2=12V**

**VCC2 Supply Current vs. Temperature, Forced CCM, no SW, VCC2=12V**

**Soft-Start Source Current vs. Temperature**

**EN/SYNC Input Current vs. Temperature**

**Power Good Low Voltage vs. Temperature**

**CCM Required AAM Threshold vs. Temperature**

**Input Current of Sensor vs. Temperature**


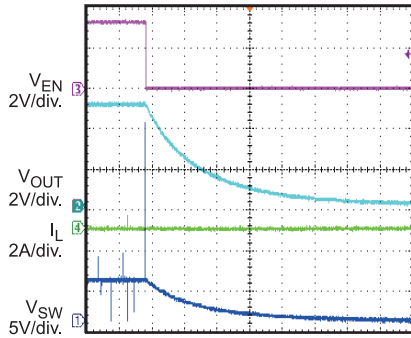


**TYPICAL CHARACTERISTICS (continued)**
 $V_{IN} = 24V$ ,  $T_J = -40^{\circ}C$  to  $+125^{\circ}C$ , unless otherwise noted.


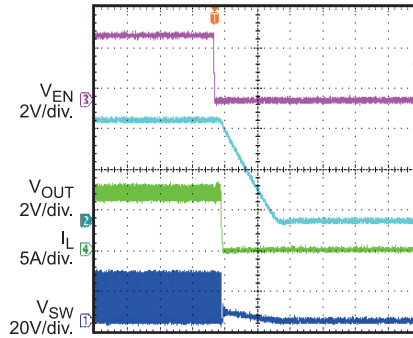
**TYPICAL PERFORMANCE CHARACTERISTICS (continued)**
 $V_{IN} = 24V$ ,  $V_{OUT} = 5V$ ,  $L = 4.7\mu H$ , AAM mode,  $T_A = 25^\circ C$ , unless otherwise noted.


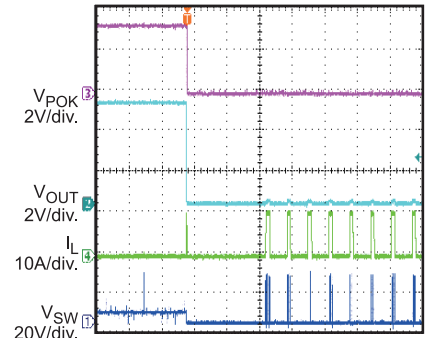
**TYPICAL PERFORMANCE CHARACTERISTICS (continued)**
 **$V_{IN} = 24V$ ,  $V_{OUT} = 5V$ ,  $L = 4.7\mu H$ , AAM mode,  $T_A = 25^\circ C$ , unless otherwise noted.**


**TYPICAL PERFORMANCE CHARACTERISTICS (continued)**
 $V_{IN} = 24V$ ,  $V_{OUT} = 5V$ ,  $L = 4.7\mu H$ , AAM mode,  $T_A = 25^\circ C$ , unless otherwise noted.

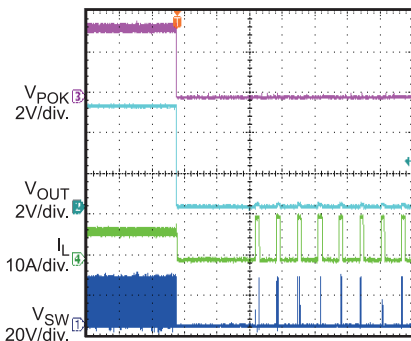
**Shutdown Through EN/SYNC**
 $I_{OUT}=0A$ 


1s/div.

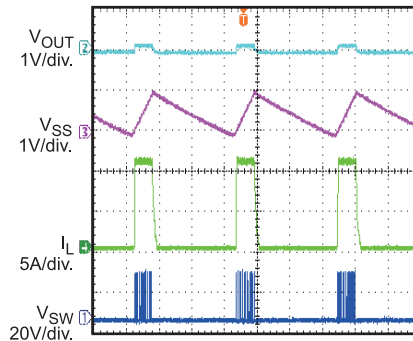
**Shutdown Through EN/SYNC**
 $I_{OUT}=7A$ 

 100 $\mu$ s/div.

**SCP Entry**
 $I_{OUT}=0A$  to short circuit


20ms/div.

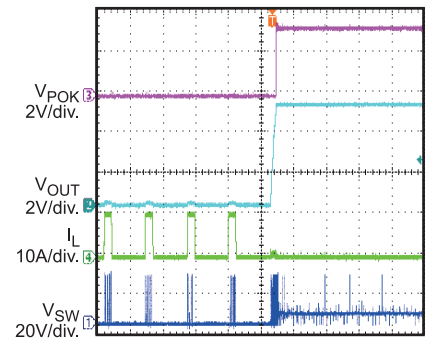
**SCP Entry**
 $I_{OUT}=7A$  to short circuit


20ms/div

**SCP Steady State**


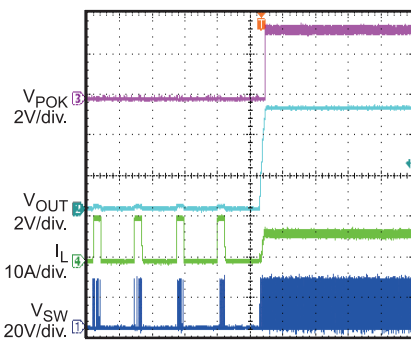
4ms/div

**SCP Recovery**

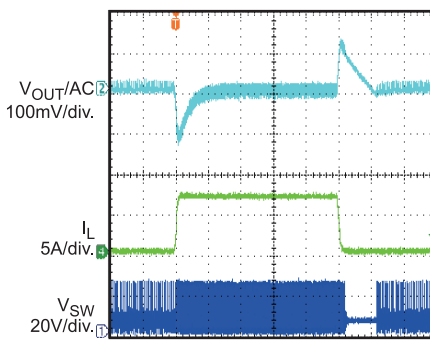
 short circuit to  $I_{OUT}=0A$ 


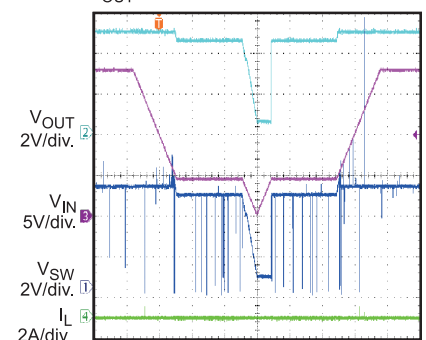
10ms/div

**SCP Recovery**

 short circuit to  $I_{OUT}=7A$ 


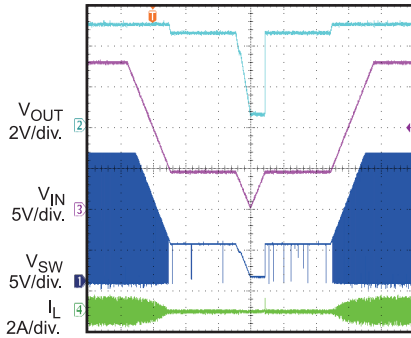
10ms/div

**Load Transient**
 $I_{OUT}=0.2A \leftrightarrow 7A$ , 1.6A/ $\mu$ s

 100 $\mu$ s/div

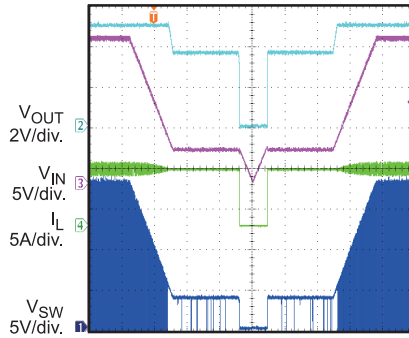
**Test Pulse, Slow Ramp Up/Down**
 $I_{OUT}=0A$ , AAM mode


10s/div.

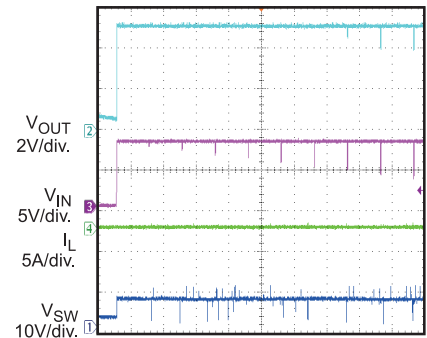
**TYPICAL PERFORMANCE CHARACTERISTICS (continued)**
 $V_{IN} = 24V$ ,  $V_{OUT} = 5V$ ,  $L = 4.7\mu H$ , AAM mode,  $T_A = 25^\circ C$ , unless otherwise noted.

**Test Pulse, Slow Ramp  
Up/Down**
 $I_{OUT}=0A$ , AAM mode


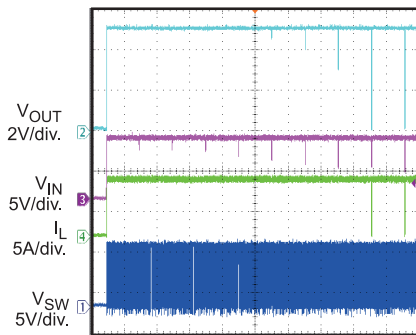
10s/div.

**Test Pulse, Slow Ramp  
Up/Down**
 $I_{OUT}=7A$ 


10s/div.

**Test Pulse, Reset**
 $V_{IN}=8V$ ,  $I_{OUT}=0A$ , AAM mode


10s/div

**Test Pulse, Reset**
 $V_{IN}=8V$ ,  $I_{OUT}=7A$ 


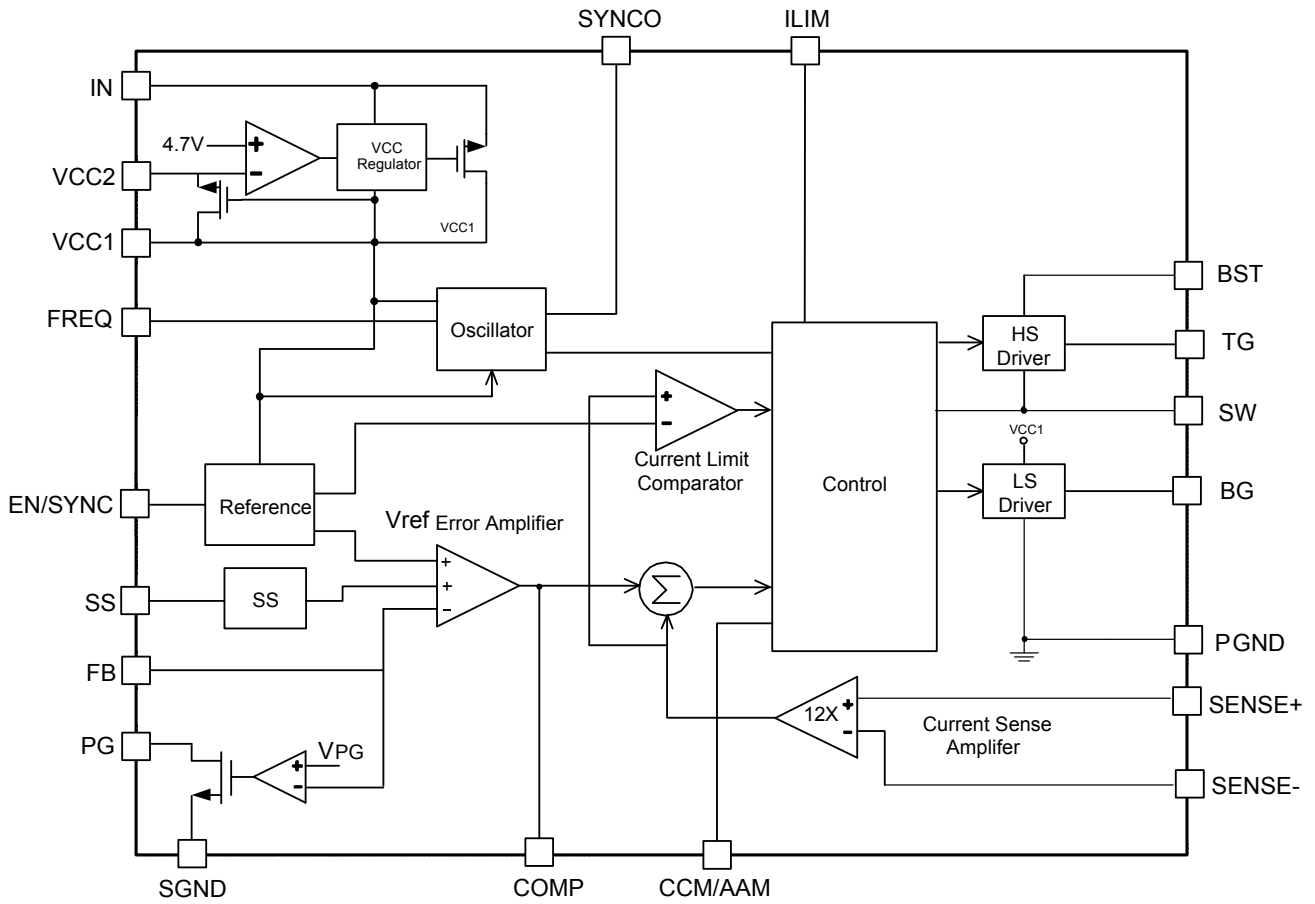
10s/div

**PIN FUNCTIONS**

| TSSOP-20<br>Pin # | QFN-20<br>Pin # | Name    | Description   |
|-------------------|-----------------|---------|---|
| 1                 | 19              | IN      | <b>Input supply.</b> The MPQ2908A operates on a 4V to 60V input range. A ceramic capacitor is needed to prevent large voltage spikes at the input.  |
| 2                 | 20              | EN/SYNC | <b>Enable input.</b> The threshold is 1.22V with 130mV of hysteresis and is used to implement an input under-voltage lockout (UVLO) function externally. If an external sync clock is applied to EN/SYNC, the internal clock follows the sync frequency.  |
| 3                 | 1               | VCC2    | <b>External power supply for the internal VCC1 regulator.</b> VCC2 disables the power from V <sub>IN</sub> for as long as VCC2 is higher than 4.7V. Do not connect a power supply greater than 12V to VCC2. Connect VCC2 to an external power supply to reduce power dissipation and increase efficiency.                                       |
| 4                 | 2               | VCC1    | <b>Internal bias supply.</b> A ≥1μF decoupling capacitor is required between VCC1 and PGND.   |
| 5                 | 3               | SGND    | <b>Low-noise ground reference.</b> SGND should be connected to the V <sub>OUT</sub> side of the output capacitors.  |
| 6                 | 4               | SS      | <b>Soft-start control input.</b> SS is used to program the soft-start period with an external capacitor between SS and SGND.  |
| 7                 | 5               | COMP    | <b>Regulation control loop compensation.</b> Connect an R-C network from COMP to SGND to compensate for the regulation control loop.  |
| 8                 | 6               | FB      | <b>Feedback.</b> FB is the input to the error amplifier. An external resistive divider connected between the output and SGND is compared to the internal +0.8V reference to set the regulation voltage.   |
| 9                 | 7               | CCM/AAM | <b>Continuous conduction mode/advanced asynchronous modulation (AAM) mode.</b> Floating CCM/AAM or connecting CCM/AAM to VCC1 makes the part operate in CCM. Connecting an appropriate external resistor from CCM/AAM to SGND (so AAM mode is at a low level) makes the part operate in AAM mode. The AAM voltage should be no less than 480mV. |
| 10                | 8               | FREQ    | <b>Frequency.</b> Connect a resistor between FREQ and SGND to set the switching frequency.  |
| 11                | 9               | PG      | <b>Power good output.</b> The output of PG is an open drain.  |
| 12                | 10              | ILIM    | <b>Sense voltage limit set.</b> The voltage at ILIM sets the nominal sense voltage at the maximum output current. There are three fixed options: float, VCC1, and SGND.   |
| 13                | 11              | SYNCO   | <b>Frequency synchronous out.</b> SYNCO outputs a 180° out-of-phase clock when the part works in CCM for dual-channel operation.  |
| 14                | 12              | SENSE-  | <b>Negative input for the current sense.</b> The sensed inductor current limit threshold is determined by the status of ILIM.   |
| 15                | 13              | SENSE+  | <b>Positive input for the current sense.</b> The sensed inductor current limit threshold is determined by the status of ILIM.   |
| 16                | 14              | PGND    | <b>High-current ground reference for the internal low-side switch driver and the VCC1 regulator circuit.</b> Connect PGND directly to the negative terminal of the VCC1 decoupling capacitor.   |

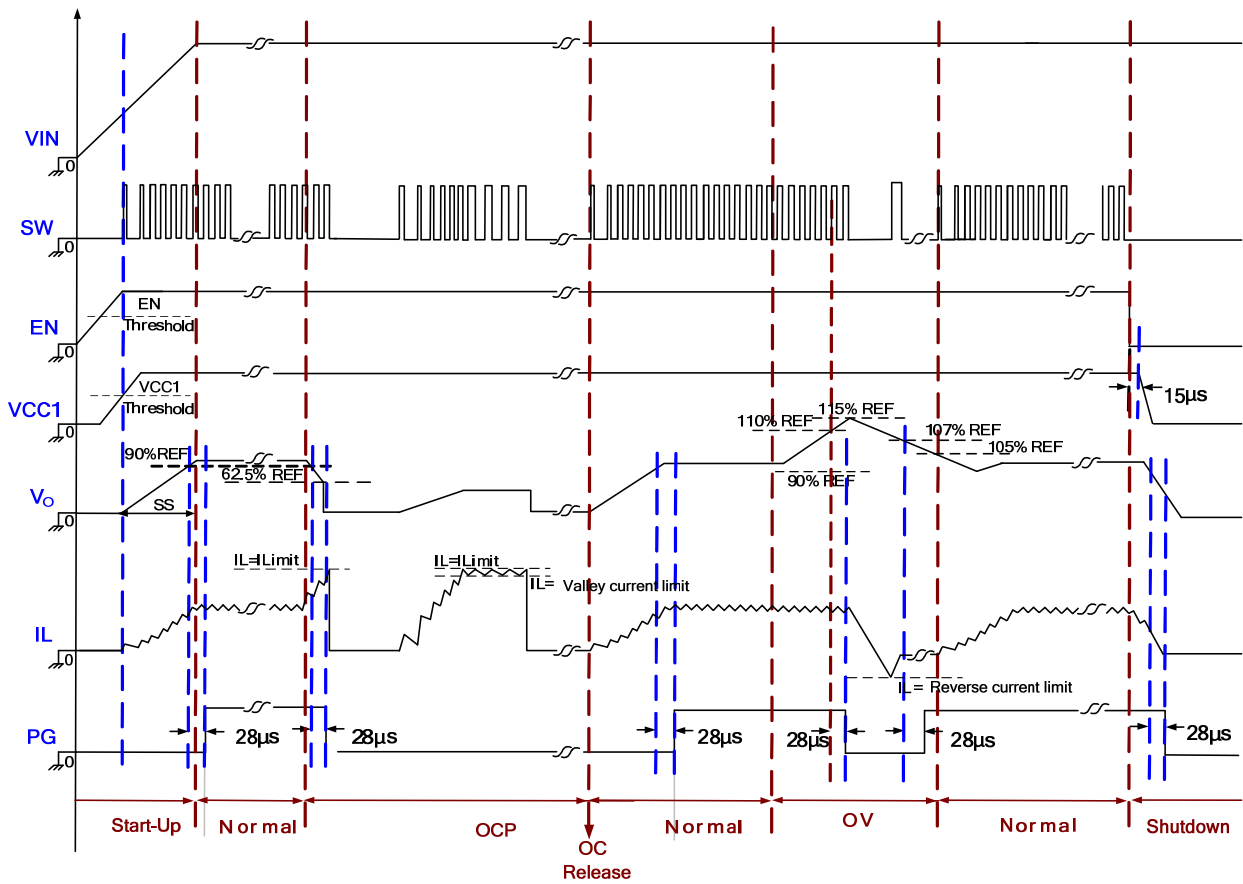
**PIN FUNCTIONS (continued)**

| TSSOP-20<br>Pin # | QFN-20<br>Pin # | Name        | Description   |
|-------------------|-----------------|-------------|---|
| 17                | 15              | BG          | <b>Bottom gate driver output.</b> Connect BG to the gate of the synchronous N-channel MOSFET.   |
| 18                | 16              | SW          | <b>Switch node.</b> SW is the reference for the $V_{BST}$ supply and high-current returns for the bootstrapped switch.  |
| 19                | 17              | TG          | <b>Top gate drive.</b> TG drives the gate of the top N-channel synchronous MOSFET. The TG driver draws power from the BST capacitor and returns to SW, providing a true floating drive to the top N-channel MOSFET.   |
| 20                | 18              | BST         | <b>Bootstrap.</b> BST is the positive power supply for the internal, floating, high-side MOSFET driver. Connect a bypass capacitor between BST and SW. An external diode to BST is mandatory and it charges the BST capacitor while the low-side switch is off. A diode from $V_{CC1}$ to BST is recommended. |
|                   |                 | Exposed pad | <b>Exposed pad.</b> The exposed pad is on the bottom side of device. It is not electrically connected to SGND or PGND. Connect the exposed pad to SGND and PGND during PCB layout for better thermal performance.   |

**FUNCTIONAL BLOCK DIAGRAM**

**Figure 1: Functional Block Diagram**



### TIMING SEQUENCE



**Figure 2: Timing Sequence**

## OPERATION

The MPQ2908A is a high-performance, step-down, synchronous, DC/DC controller IC with a wide input voltage range. It implements current-mode control and a programmable switching frequency control architecture to regulate the output voltage with external N-channel MOSFETs.

The MPQ2908A senses the voltage at FB. The difference between the FB voltage ( $V_{FB}$ ) and an internal 0.8V reference ( $V_{REF}$ ) is amplified to generate an error voltage on COMP. This is used as the threshold for the current sense comparator with a slope compensation ramp.

Under normal-load conditions, the controller operates in full pulse-width modulation (PWM) mode (see Figure 3). At the beginning of each oscillator cycle, the top gate driver is enabled. The top gate turns on for a period determined by the duty cycle. When the top gate turns off, the bottom gate turns on after a dead time and remains on until the next clock cycle begins.

There is an optional power-save mode for light-load or no-load condition.

### Advanced Asynchronous Modulation (AAM) Mode

The MPQ2908A employs advanced asynchronous modulation (AAM) mode functionality to optimize efficiency during light-load or no-load condition (see Figure 3). AAM is enabled when CCM/AAM is at a low level by connecting an appropriate resistor to SGND to ensure that the AAM voltage ( $V_{AAM}$ ) is no less than 480mV. See Equation (1):

$$V_{AAM} \text{ (mV)} = I_{AAM} \text{ (\mu A)} \times R_{AAM} \text{ (k}\Omega\text{)} \quad (1)$$

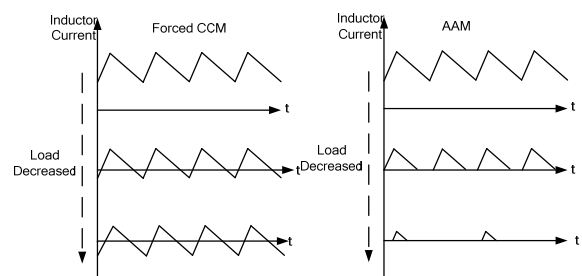
Where  $I_{AAM}$  is the CCM/AAM output current.

AAM is disabled when CCM/AAM is floating or connected to VCC1. Calculate the CCM/AAM output current ( $I_{AAM}$ ) with Equation (2):

$$I_{AAM} \text{ (\mu A)} = 600 \text{ (mV)} / R_{FREQ} \text{ (k}\Omega\text{)} \quad (2)$$

If AAM is enabled, the MPQ2908A firstly enters non-synchronous operation as long as the inductor current approaches zero at light load. If the load is further decreased or even no load that make COMP voltage below the voltage of AAM threshold at about  $V_{AAM} + V_{OFFSET}$ , the

MPQ2908A enters AAM mode, where  $V_{AAM}$  is the voltage of CCM/AAM pin and  $V_{OFFSET}$  is about 720mV. In AAM, the internal clock resets whenever  $V_{COMP}$  crosses over the AAM threshold. The crossover time is taken as the benchmark for the next clock cycle. When the load increases and the DC value of  $V_{COMP}$  is higher than the AAM threshold, the operation mode is discontinuous conduction mode (DCM) or continuous conduction mode (CCM), which have a constant switching frequency.



**Figure 3: FCCM and AAM Mode**

### Floating Driver and Bootstrap Charging

The floating top gate driver is powered by an external bootstrap capacitor ( $C_{BST}$ ), which is normally refreshed when the high-side MOSFET (HS-FET) turns off. This floating driver has its own under-voltage lockout (UVLO) protection. This UVLO's rising threshold is 3.05V with a hysteresis of 170mV.

If the BST voltage is lower than the bootstrap UVLO, the MPQ2908A enters constant-off-time mode to ensure that the BST capacitor is high enough to drive the HS-FET.

### VCC1 Regulator and VCC2 Power Supply

Both the top and bottom MOSFET drivers and most of the internal circuitries are powered by the VCC1 regulator. An internal, low dropout, linear regulator supplies VCC1 power from  $V_{IN}$ . Connect a  $\geq 1\mu\text{F}$  ceramic capacitor from VCC1 to PGND.

If VCC2 is left open or connected to a voltage less than 4.7V, an internal 5V regulator supplies power to VCC1 from  $V_{IN}$ . If VCC2 is greater than 4.7V, the internal regulator that supplies power to VCC1 from VCC2 is triggered. If VCC2 is between 4.7V and 5V, the 5V regulator is in dropout, and VCC1 approximately equals

VCC2. Using the VCC2 power supply allows the VCC1 power to be derived from a high-efficiency external source, such as one of the MPQ2908A's switching regulator outputs.

### Error Amplifier (EA)

The error amplifier compares  $V_{FB}$  with the internal 0.8V reference and outputs a current proportional to the difference between the two input voltages. This output current is then used to charge or discharge the external compensation network to form  $V_{COMP}$ , which is used to control the power MOSFET current. Adjusting the compensation network from COMP to SGND optimizes the control loop for good stability or fast transient response.

### Current Limit Function

There are three fixed current limit options: 25mV, when ILIM is connected to SGND; 50mV, when ILIM is connected to VCC1; and 75mV, when ILIM is floating.

When the peak value of the inductor current exceeds the set current-limit threshold, the output voltage begins dropping until FB is 37.5% below the reference. The MPQ2908A enters hiccup mode to restart the part periodically. The frequency is lowered when FB is below 0.4V. This protection mode is especially useful when the output is dead-shortened to ground. The average short-circuit current is reduced greatly to alleviate thermal issues. The MPQ2908A exits hiccup mode once the over-current condition is removed.

### Low Dropout Mode

In low dropout mode, the MPQ2908A is designed to operate in high-side fully on mode for as long as the voltage difference across BST - SW is greater than 3.05V, improving dropout. When the voltage from BST to SW drops below 3.05V, a UVLO circuit turns off the HS-FET. At the same time, the low-side MOSFET (LS-FET) turns on to refresh the charge on the BST capacitor. After the BST capacitor voltage is re-charged, the HS-FET turns on again to regulate the output. Since the supply current sourced from the BST capacitor is low, the HS-FET can remain on for more switching cycles than are required to refresh the BST capacitor, increasing the effective duty cycle of the switching regulator. Low dropout

operation makes the MPQ2908A suitable for automotive cold-crank applications.

### Power Good (PG) Function

The MPQ2908A includes an open-drain power good output that indicates whether the regulator's output is within  $\pm 10\%$  of its nominal value. When the output voltage falls outside of this range, the PG output is pulled low. PG should be connected to a voltage source no more than 5V through a resistor (e.g.: 100k $\Omega$ ). The PG delay time is 28 $\mu$ s.

### Soft Start (SS)

Soft start (SS) is implemented to prevent the converter output voltage from overshooting during start-up. When the chip starts up, the internal circuitry generates a soft-start voltage that ramps up from 0V to 1.2V. When it is lower than REF, SS overrides REF, so the error amplifier uses SS as the reference. When SS is higher than REF, REF regains control.

An external capacitor connected from SS to SGND is charged from an internal 4 $\mu$ A current source, producing a ramped voltage. The soft-start time ( $t_{SS}$ ) is set by the external SS capacitor and can be calculated by Equation (3):

$$t_{SS}(\text{ms}) = \frac{C_{SS}(\text{nF}) \times V_{REF}(\text{V})}{I_{SS}(\mu\text{A})} \quad (3)$$

Where  $C_{SS}$  is the external SS capacitor,  $V_{REF}$  is the internal reference voltage (0.8V), and  $I_{SS}$  is the 4 $\mu$ A SS charge current. There is no internal SS capacitor. SS is reset when a fault protection other than OVP occurs.

### Output Over-Voltage Protection (OVP)

The output over-voltage is monitored by  $V_{FB}$ . If  $V_{FB}$  is typically 15% higher than the reference, the MPQ2908A enters discharge mode. The HS-FET turns off, and the LS-FET turns on. The LS-FET remains on until the reverse current limit is triggered. The LS-FET then turns off, and the inductor current increases to 0. The LS-FET is turned on again after ZCD is triggered. The MPQ2908A works in discharge mode until the over-voltage condition is cleared.

### EN/SYNC Control

The MPQ2908A has a dedicated enable (EN/SYNC) control that uses a bandgap-generated precision threshold of 1.22V. By

pulling EN/SYNC high or low, the IC can be enabled or disabled. To disable the part, EN/SYNC must be pulled low for at least 40 $\mu$ s.

Tie EN/SYNC to  $V_{IN}$  through a resistor divider (R16 and R17) to program the  $V_{IN}$  start-up threshold (see Figure 4). The EN/SYNC threshold is 1.09V (falling edge), so the  $V_{IN}$  UVLO threshold is  $1.09V \times (1 + R16/R17//1M)$ .

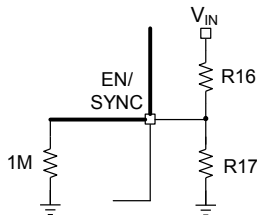


Figure 4: EN/SYNC Resistor Divider

The device can be synchronized to an external clock ranging from 100kHz up to 1000kHz through EN/SYNC. The internal clock rising edge is synchronized to the external clock rising edge. The pulse width (both on and off) of the external clock signal should be no less than 100ns.

### SYNCO Function

The SYNCO pin outputs a default 180° phase shifted clock when MPQ2908A works in CCM. This function allows two devices operate in same frequency but 180° out of phase to reduce the total input current ripple, so a smaller input bypass capacitor can be used.

### Under-Voltage Lockout (UVLO)

Under-voltage lockout (UVLO) is implemented to protect the chip from operating at an

insufficient input supply voltage. The MPQ2908A UVLO rising threshold is about 4.5V, while its falling threshold is a consistent 3.7V.

### Thermal Protection

Thermal protection prevents damage to the IC from excessive temperatures. The die temperature is monitored internally until the thermal limit is reached. When the silicon die temperature is higher than 170°C, the entire chip shuts down. When the temperature is lower than its lower threshold (typically 20°C), the chip is enabled again.

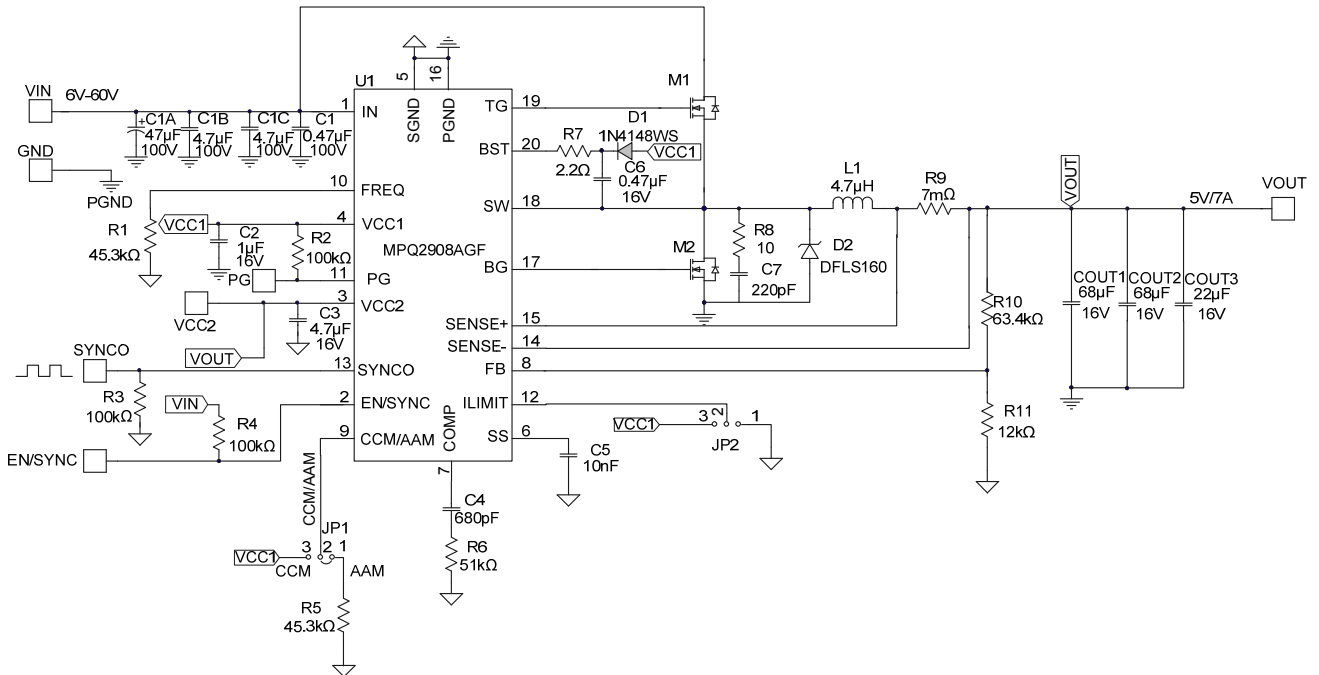
### Start-Up and Shutdown

If both  $V_{IN}$  and EN/SYNC are higher than their respective thresholds, the chip starts up. The reference block starts first, generating stable reference voltages and currents. The internal regulator is then enabled. The regulator provides a stable supply for the remaining circuitry.

Three events can shut down the chip: EN low,  $V_{IN}$  low, and thermal shutdown. During the shutdown procedure, the signal path is blocked first to avoid any fault triggering.  $V_{COMP}$  and the internal supply rail are then pulled down. The floating driver is not subject to this shutdown command.

### Pre-Bias Start-Up

If SS is less than FB at start-up, the output has a pre-bias voltage, and neither TG nor BG is turned on until SS is greater than FB.

**APPLICATION INFORMATION**

**Figure 5: Typical Application Circuit for TSSOP Package ( $V_{OUT} = 5V$ ,  $I_{OUT} = 7A$ )**

**Table 1: Bill of Materials**

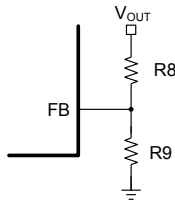
| Ref           | Value          | Description                           | Package     | Manufacturer | Manufacturer PN    |
|---------------|----------------|---------------------------------------|-------------|--------------|--------------------|
| C1A           | 47 $\mu$ F     | Electrolytic capacitor, 100V, 10x10.5 | SMD         | Jiang Hai    | VZ2-100V47         |
| C1B, C1C      | 4.7 $\mu$ F    | Ceramic capacitor, 100V, X7S          | 1210        | TDK          | C3225X7S2A475K     |
| C1            | 0.47 $\mu$ F   | Ceramic capacitor, 100V, X7R          | 0805        | Murata       | GRM21BR72A474KA73L |
| C2            | 1 $\mu$ F      | Ceramic capacitor, 16V, X7R           | 0603        | Murata       | GRM188R71C105KA12D |
| C3            | 4.7 $\mu$ F    | Ceramic capacitor, 16V, X7R           | 0805        | Murata       | GRM21BR71C475KA73L |
| C4            | 680pF          | Ceramic capacitor, 50V, X7R           | 0603        | Murata       | GRM188R71H681KA01D |
| C5            | 10nF           | Ceramic capacitor, 50V, X7R           | 0603        | Murata       | GRM188R71H103KA01  |
| C6            | 0.47 $\mu$ F   | Ceramic capacitor, 16V, X7R           | 0603        | Murata       | GRM188R71C474KA88D |
| C7            | 220pF          | Ceramic capacitor, 100V, X7R          | 0805        | Murata       | GRM21BR72A221KA01L |
| COU1,<br>COU2 | 68 $\mu$ F     | POSCAP, 16V                           | D2          | Sanyo        | 16TQC68MY          |
| COU3          | 22 $\mu$ F     | Ceramic capacitor, 16V, X7R           | 1210        | Murata       | GRM32ER71C226KE79  |
| D1            | 75V            | Diode, 0.15A                          | SOD-323     | Diodes, Inc. | 1N4148WS-7-F       |
| D2            | 60V            | Diode, 1A                             |             | Diodes, Inc. | DFLS160            |
| L1            | 4.7 $\mu$ H    | Inductor, 7.7m $\Omega$ , 15A         | SMD         | Würth        | 7443551470         |
| M1, M2        | 10m $\Omega$   | N-channel MOSFET, 60V, 46.5A          | SO-8L       | Vishay       | SIJ462DP-T1-GE3    |
| R1, R5        | 45.3k $\Omega$ | Film resistor, 1%                     | 0603        | Yageo        | RC0603FR-0745K3L   |
| R2, R3,<br>R4 | 100k $\Omega$  | Film resistor, 1%                     | 0603        | Yageo        | RC0603FR-07100KL   |
| R6            | 51k $\Omega$   | Film resistor, 1%                     | 0603        | Yageo        | RC0603FR-0751KL    |
| R7            | 2.2 $\Omega$   | Film resistor, 1%                     | 0603        | Yageo        | RC0603FR-072R2L    |
| R8            | 10 $\Omega$    | Film resistor, 1%                     | 0805        | Yageo        | RC0805FR-0710RL    |
| R9            | 7m $\Omega$    | Film resistor, 1%, 1W                 | 2512        | CYNTEC       | RL3264-6-R007-FN   |
| R10           | 63.4k $\Omega$ | Film resistor, 1%                     | 0603        | Yageo        | RC0603FR-0763K4L   |
| R11           | 12k $\Omega$   | Film resistor, 1%                     | 0603        | Yageo        | RC0603FR-0712KL    |
| U1            | MPQ2908A       | Synchronous step-down controller      | TSSOP 20-EP | MPS          | MPQ2908AGF         |

### External Component Selection and Evaluation

Extensive validation was performed during the development of the MPQ2908A, covering a variety of standard industry conditions. Table 1 on page 21 shows the bill of materials, which lists the components used. As many conditions as possible are covered by the validation; however, application- and layout-specific validation should be performed by the user. If the components used differ significantly from the components listed in Table 1 (e.g. larger/smaller capacitors, inductors, resistors, or MOSFETs), ensure that these components are validated extensively, and consult with an MPS FAE.

### Setting the Output Voltage

The external resistor divider is used to set the output voltage (see Figure 6).



**Figure 6: External Resistor Divider**

If R8 is known, then R9 can be calculated with Equation (4):

$$R_9 = \frac{R_8}{\frac{V_{OUT}}{0.8V} - 1} \quad (4)$$

Table 2 lists the recommended feedback resistor values for common output voltages.

**Table 2: Resistor Selection for Common Output Voltages**

| V <sub>OUT</sub> (V) | R8 (kΩ)   | R9 (kΩ) |
|----------------------|-----------|---------|
| 3.3                  | 37.4 (1%) | 12 (1%) |
| 5                    | 63.4 (1%) | 12 (1%) |
| 12                   | 169 (1%)  | 12 (1%) |

### Setting Current Sensing

The MPQ2908A has three fixed current limit options: 25mV, when ILIM is connected to SGND; 50mV, when ILIM is connected to VCC1; and 75mV, when ILIM is floating. Ensure that the application can deliver a full load of current

over the full operating temperature range when setting ILIM.

The current sense resistor (R<sub>SENSE</sub>) monitors the inductor current. Its value is chosen based on the current limit threshold. The relationship between the peak inductor current (I<sub>pk</sub>) and R<sub>SENSE</sub> can be calculated with Equation (5):

$$R_{SENSE} = \frac{V_{ILIMIT}}{I_{pk}} \quad (5)$$

A higher R<sub>SENSE</sub> value increases power loss across it. Considering the output current, efficiency and ILIM threshold, the recommended value for R<sub>SENSE</sub> is between 7mΩ and 50mΩ.

### Programmable Switching Frequency

Consider different variables when choosing the switching frequency. A high frequency increases switching losses and gate charge losses, while a low frequency requires more inductance and capacitance, resulting in larger real estate and higher cost. Setting the switching frequency is a trade-off between power loss and passive component size. In noise-sensitive applications, the switching frequency should be out of a sensitive frequency band.

The MPQ2908A's frequency can be programmed from 100kHz to 1000kHz with a resistor from FREQ to SGND (see Table 3). The value of R<sub>FREQ</sub> for a given operating frequency can be calculated with Equation (6):

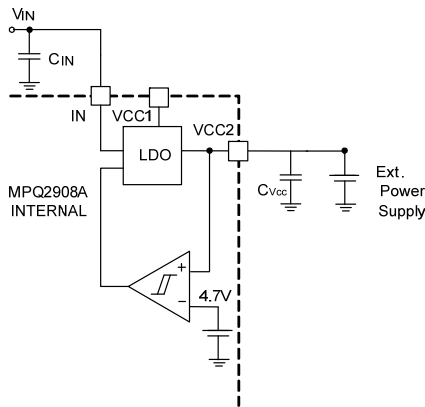
$$R_{FREQ} (k\Omega) = \frac{20000}{f_s (kHz)} - 1 \quad (6)$$

**Table 3: Frequency vs. Resistor**

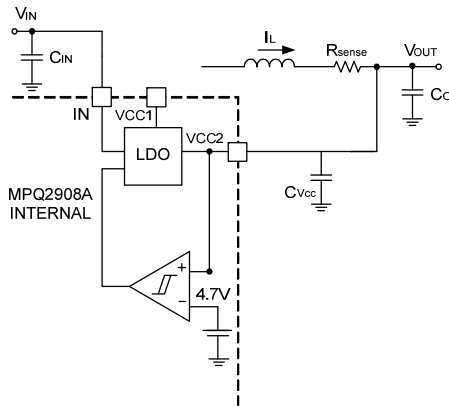
| Resistor (kΩ) | Frequency (kHz) |
|---------------|-----------------|
| 65            | 300             |
| 45.3          | 430             |
| 39            | 500             |
| 19            | 1000            |

### VCC Regulator Connection

VCC1 can be powered from both VIN and VCC2. If connecting VCC2 to an external power supply to improve the overall efficiency, VCC2 should be larger than 4.7V but smaller than 12V (see Figure 7).


**Figure 7: Internal Circuitry of VCC2**

If  $V_{OUT}$  is higher than 4.7V but less than 12V, VCC2 can be connected to  $V_{OUT}$  directly (see Figure 8).


**Figure 8: Configuration of VCC2 Connecting to  $V_{OUT}$** 

### Selecting the Inductor

An inductor with a DC current rating at least 25% higher than the maximum load current is recommended for most applications. A larger-value inductor results in less ripple current and a lower output ripple voltage. However, the larger-value inductor also has a larger physical size, higher series resistance, and lower saturation current. Choose the inductor ripple current to be approximately 30% of the maximum load current. The inductance value can be then be calculated with Equation (7):

$$L = \frac{V_{OUT} \times (V_{IN} - V_{OUT})}{V_{IN} \times \Delta I_L \times f_S} \quad (7)$$

Where  $V_{OUT}$  is the output voltage,  $V_{IN}$  is the input voltage,  $f_S$  is the 300kHz switching

frequency, and  $\Delta I_L$  is the peak-to-peak inductor ripple current.

The maximum inductor peak current can be calculated with Equation (8):

$$I_{L(MAX)} = I_{LOAD} + \frac{\Delta I_L}{2} \quad (8)$$

Where  $I_{LOAD}$  is the load current.

### Selecting the Input Capacitor

Since the input capacitor absorbs the input switching current, it requires an adequate ripple current rating. The selection of the input capacitor is based mainly on its maximum ripple current capability. The RMS value of the ripple current flowing through the input capacitor can be calculated with Equation (9):

$$I_{RMS} = I_{LOAD} \sqrt{\frac{V_{OUT}}{V_{IN}} \left(1 - \frac{V_{OUT}}{V_{IN}}\right)} \quad (9)$$

The worst-case condition occurs at  $V_{IN} = 2V_{OUT}$ , shown in Equation (10):

$$I_{RMS} = I_{LOAD}/2 \quad (10)$$

The input capacitor must be capable of handling this ripple current.

### Output Capacitor Selection

The output capacitor impedance should be low at the switching frequency. The output voltage ripple can be estimated with Equation (11):

$$\Delta V_{OUT} = \frac{V_{OUT}}{f_S \times L} \times \left(1 - \frac{V_{OUT}}{V_{IN}}\right) \times \left(R_{ESR} + \frac{1}{8 \times f_S \times C_O}\right) \quad (11)$$

Where  $C_O$  is the output capacitance value, and  $R_{ESR}$  is the equivalent series resistance (ESR) value of the output capacitor.

For tantalum or electrolytic capacitor application, the ESR dominates the impedance at the switching frequency. The output voltage ripple can be approximated with Equation (12):

$$\Delta V_{OUT} = \frac{V_{OUT}}{f_S \times L} \times \left(1 - \frac{V_{OUT}}{V_{IN}}\right) \times R_{ESR} \quad (12)$$

### Power MOSFET Selection

Two N-channel MOSFETs must be selected for the controller: one for the high-side switch, and one for the low-side switch.



The driver level of the high-side and low-side MOSFETs is 5V, so the threshold voltage ( $V_{th}$ ) of the selected MOSFETs must be no higher than this value.

The input voltage ( $V_{DS}$ ), continuous drain current ( $I_D$ ), on resistance ( $R_{DS(ON)}$ ), total gate charge ( $Q_g$ ), and thermal related parameters should be considered when choosing the power MOSFETs.

$V_{DS}$  of the chosen MOSFETs should exceed the maximum applied voltage between the drain and source in the application, which is  $V_{IN(MAX)}$  plus additional rings on the switch node.

The MOSFET's power dissipations can be calculated with Equation (13) and Equation (14):

$$P_{HS} = I_{OUT}^2 \times R_{ON-HS} \times \frac{V_{OUT}}{V_{IN}} + \frac{1}{2} \times V_{IN} \times I_{OUT} \times (t_r + t_f) \times f_{SW} + Q_{g-HS} \times f_{SW} \times V_{driver} \quad (13)$$

$$P_{LS} = I_{OUT}^2 \times R_{ON-LS} \times \left(1 - \frac{V_{OUT}}{V_{IN}}\right) + Q_{g-LS} \times f_{SW} \times V_{driver} + V_{DROP} \times I_{OUT} \times (t_{dead1} + t_{dead2}) \times f_{SW} \quad (14)$$

Where  $R_{ON-HS}$  and  $R_{ON-LS}$  are the on resistance of the HS-FET and LS-FET,  $t_r$  and  $t_f$  are the rising and falling time of the switch,  $Q_{g-HS}$  and  $Q_{g-LS}$  are the total gate charge of the HS-FET and LS-FET,  $V_{driver}$  is the gate driver voltage (which is provided by VCC1),  $V_{DROP}$  is the LS-FET body diode forward voltage,  $t_{dead1}$  is the dead time between the HS-FET turning off and the LS-FET turning on, and  $t_{dead2}$  is the dead time between the LS-FET turning off and the HS-FET turning on.

Ensure that the thermal caused by the power loss on the MOSFETs does not exceed the allowed maximum thermal of the selected MOSFETs.

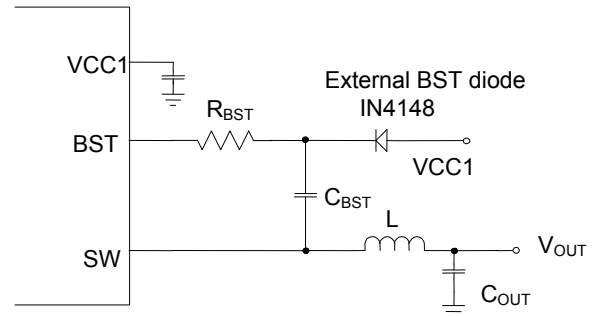
### Schottky Selection

The diode between SW and PGND (shown as D2 in Figure 5) is used to absorb spike and store charges during the dead time and protect the body diode of the LS-FET. Considering the

size and power loss during the dead time, a 1A - 3A Schottky diode is recommended.

### BST Charge Diode and Resistor Selection

An external BST diode is mandatory for MPQ2908A. A power supply between 2.5V and 5V can be used to power the external bootstrap diode. VCC1 or  $V_{OUT}$  is recommended to be this power supply in the circuit (see Figure 9).



**Figure 9: External Bootstrap Diode and Resistor**

The recommended external BST diode is IN4148. The recommended BST capacitor value is  $0.47\mu\text{F}$  to  $1\mu\text{F}$  if  $V_{OUT} > 3.3\text{V}$  at start-up. The recommended BST capacitor value is  $0.1\mu\text{F}$  to  $1\mu\text{F}$  if  $V_{OUT} \leq 3.3\text{V}$  at start-up.

A resistor in series with the BST capacitor ( $R_{BST}$ ) can reduce the SW rising rate and voltage spikes. This helps enhance EMI performance and reduce voltage stress at a high  $V_{IN}$ . A higher resistance is better for SW spike reduction but compromises efficiency. To make a tradeoff between EMI and efficiency, a  $\leq 20\Omega$   $R_{BST}$  is recommended.

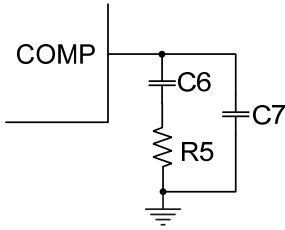
### Compensation Components

The MPQ2908A employs current-mode control for easy compensation and fast transient response. COMP is the output of the internal error amplifier and controls system stability and transient response. A series resistor-capacitor (R-C) combination sets a pole zero combination to control the control system's characteristics. The DC gain of the voltage feedback loop can be calculated with Equation (15):

$$A_{VDC} = R_{LOAD} \times G_{CS} \times A_O \times \frac{V_{FB}}{V_{OUT}} \quad (15)$$

Where  $A_O$  is the error amplifier voltage gain ( $3000\text{V/V}$ ),  $G_{CS}$  is the current sense

transconductance  $1/(12 \times R_{SENSE})$  (A/V), and  $R_{LOAD}$  is the load resistor value.



**Figure 10: Compensation Network**

The system has two important poles: one from the compensation capacitor (C6) and the output resistor of the error amplifier, and the other from the output capacitor and the load resistor (see Figure 10). These poles can be calculated with Equation (16) and Equation (17):

$$f_{P1} = \frac{G_m}{2\pi \times C6 \times A_o} \quad (16)$$

$$f_{P2} = \frac{1}{2\pi \times C_o \times R_{LOAD}} \quad (17)$$

Where  $G_m$  is the error amplifier transconductance ( $500\mu\text{A/V}$ ), and  $C_o$  is the output capacitor.

The system has one important zero due to the compensation capacitor and the compensation resistor (R5) and can be calculated with Equation (18):

$$f_{Z1} = \frac{1}{2\pi \times C6 \times R5} \quad (18)$$

The system may have another significant zero if the output capacitor has a large capacitance or high ESR value, and can be calculated with Equation (19):

$$f_{ESR} = \frac{1}{2\pi \times C_o \times R_{ESR}} \quad (19)$$

In this case, a third pole set by the compensation capacitor (C7) and the compensation resistor can compensate for the effect of the ESR zero. This pole is calculated with Equation (20):

$$f_{P3} = \frac{1}{2\pi \times C7 \times R5} \quad (20)$$

The goal of the compensation design is to shape the converter transfer function for a desired loop gain. The system crossover frequency where the feedback loop has unity gain is important, since lower crossover frequencies result in slower line and load transient responses, and higher crossover frequencies lead to system instability. Set the crossover frequency to  $\sim 0.1 \times f_{SW}$ .

Follow the steps below to design the compensation.

1. Choose R5 to set the desired crossover frequency with Equation (21):

$$R5 = \frac{2\pi \times C_o \times f_c \times \frac{V_{OUT}}{V_{FB}}}{G_m \times G_{CS}} \quad (21)$$

Where  $f_c$  is the desired crossover frequency.

2. Choose C6 to achieve the desired phase margin. For applications with typical inductor values, set the compensation zero ( $f_{Z1}$ )  $< 0.25 \times f_c$  to provide a sufficient phase margin. C6 is then calculated with Equation (22):

$$C6 > \frac{4}{2\pi \times R5 \times f_c} \quad (22)$$

3. C7 is required if the ESR zero of the output capacitor is located at  $< 0.5 \times f_{SW}$ , or Equation (23) is valid:

$$\frac{1}{2\pi \times C_o \times R_{ESR}} < \frac{f_{SW}}{2} \quad (23)$$

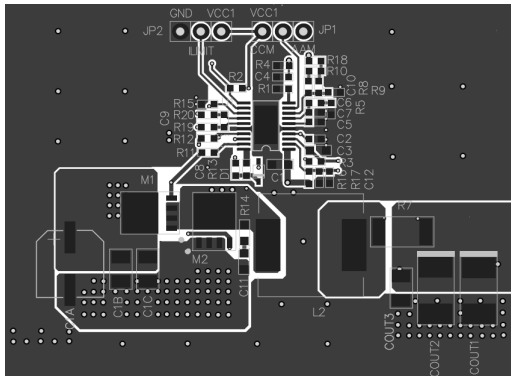
If this is the case, use C7 to set the pole ( $f_{P3}$ ) at the location of the ESR zero. Determine C7 with Equation (24):

$$C7 = \frac{C_o \times R_{ESR}}{R5} \quad (24)$$

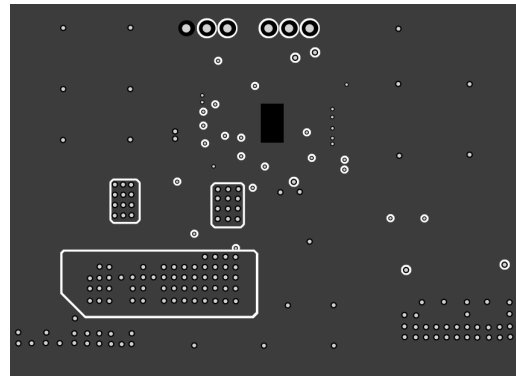
### PCB Layout Guidelines

Efficient PCB layout, especially for input capacitor placement, is critical for stable operation. A four-layer layout is strongly recommended to achieve better thermal performance. For best results, refer to Figure 11 and follow the guidelines below.

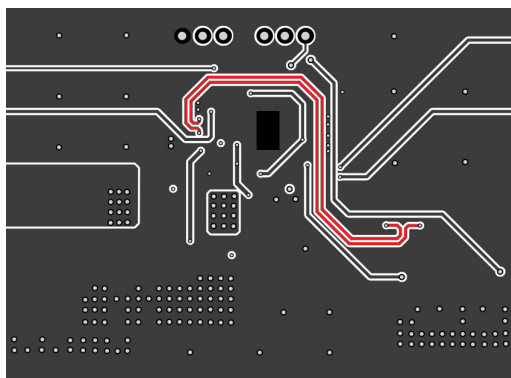
1. Place the MOSFETs as close as possible to the device.
2. Make the sense lines (the red lines in Inner Layer 2 of Figure 11) run close together using a Kelvin connection to reduce the line drop error.
3. Use a large ground plane to connect to PGND directly.
4. Add vias near PGND if the bottom layer is a ground plane.
5. Ensure that the high-current paths at PGND and  $V_{IN}$  have short, direct, and wide traces.
6. Place the ceramic input capacitor, especially the small package size (0603) input bypass capacitor, as close to IN and PGND as possible to minimize high-frequency noise.
7. Keep the connection of the input capacitor and IN as short and wide as possible.
8. Place the VCC1 capacitor as close to VCC1 and SGND as possible.
9. Route SW and BST away from sensitive analog areas such as FB.
10. Place the feedback resistors close to the chip to ensure that the trace which connects to FB is as short as possible.
11. Use multiple vias to connect the power planes to the internal layers.



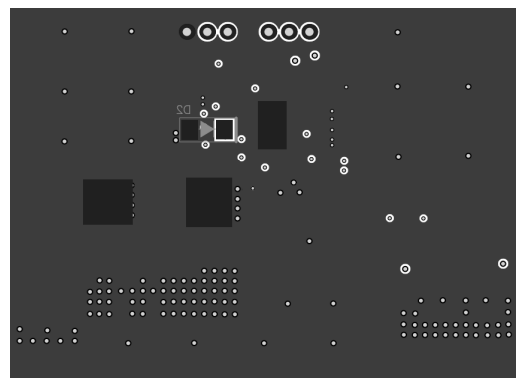
**Top Layer**



**Mid-Layer 1**

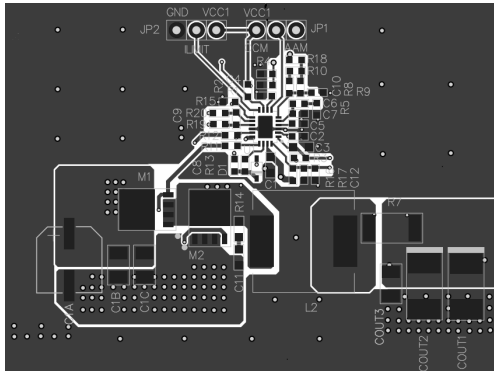
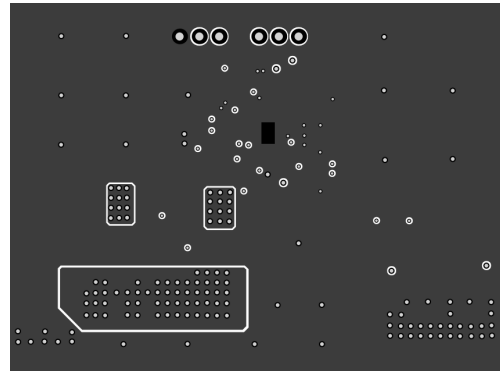
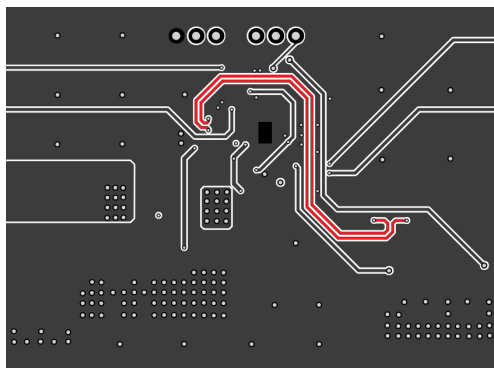
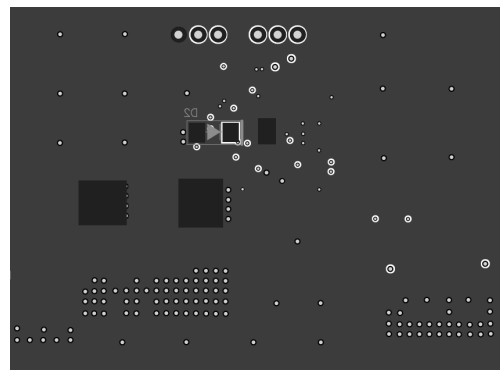


**Mid-Layer 2**

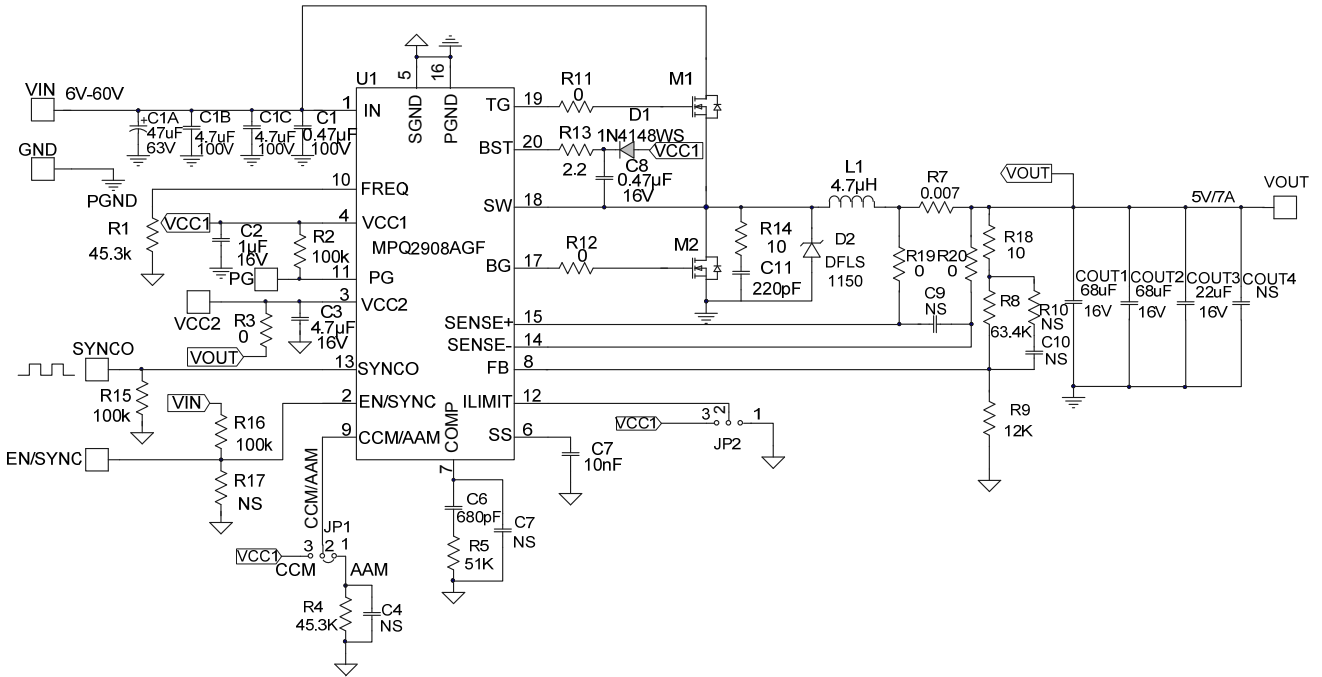
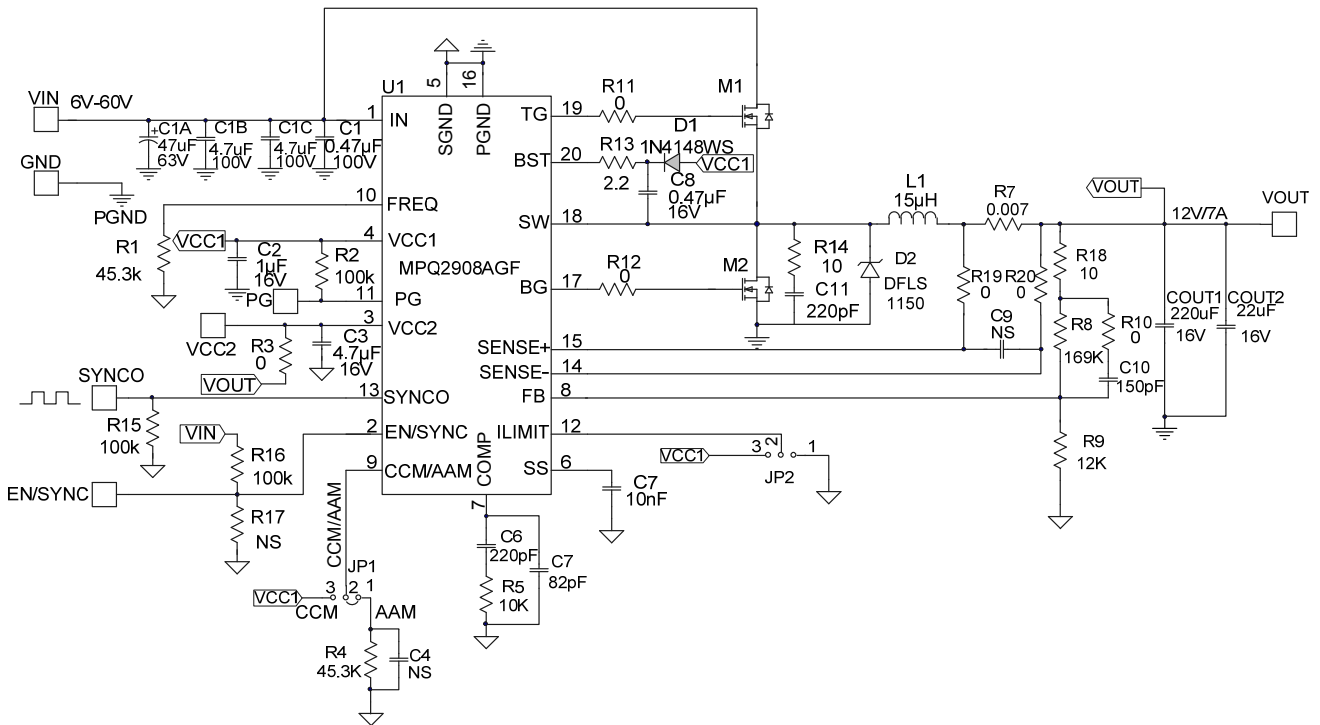


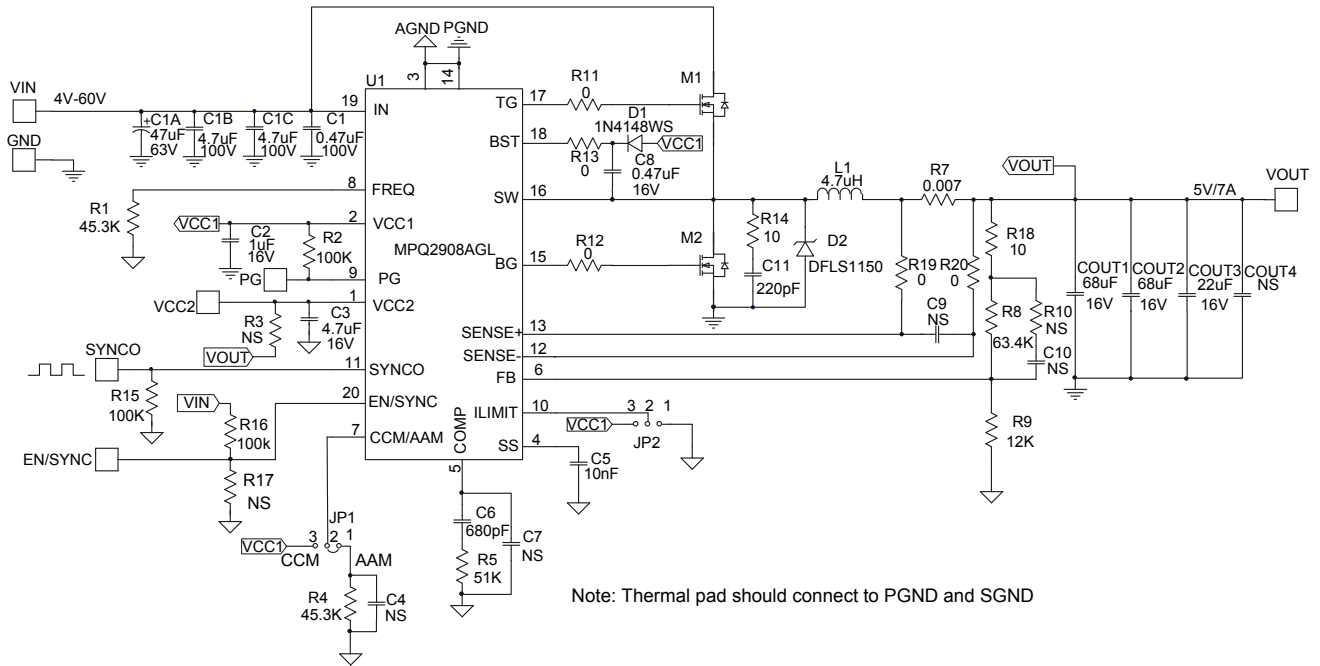
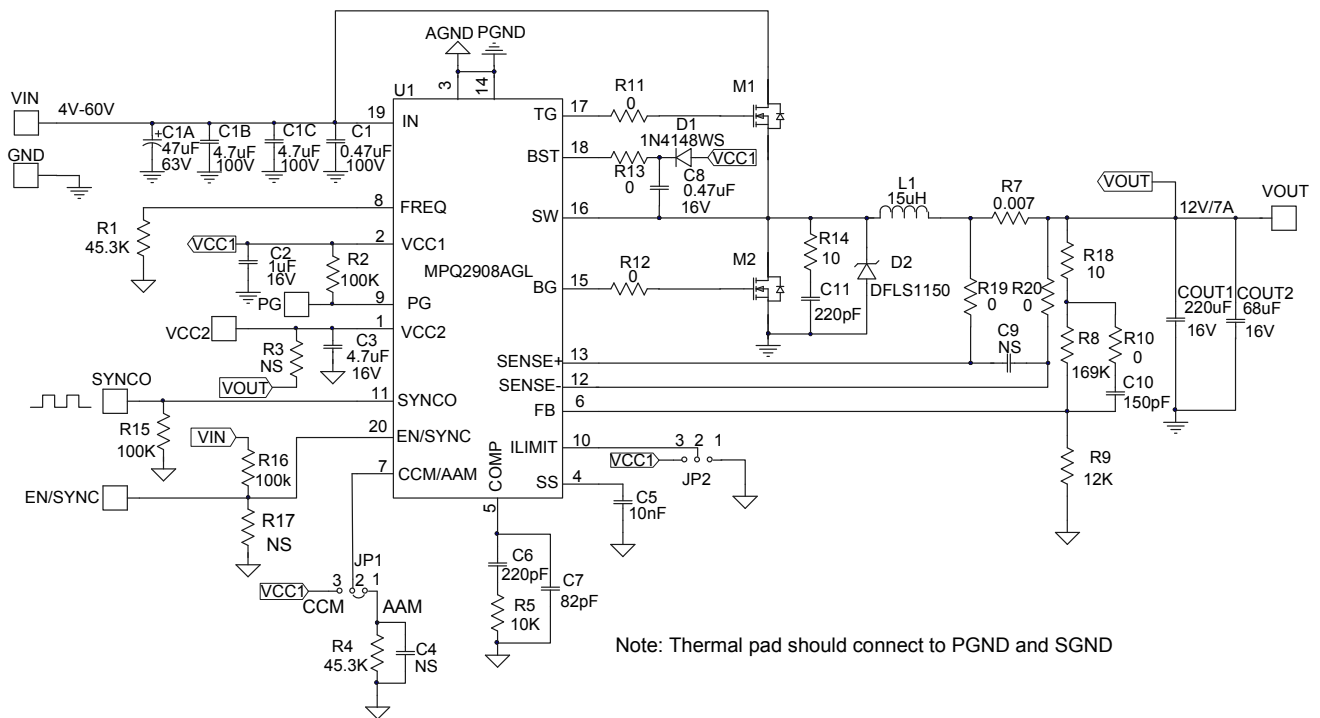
**Bottom Layer**

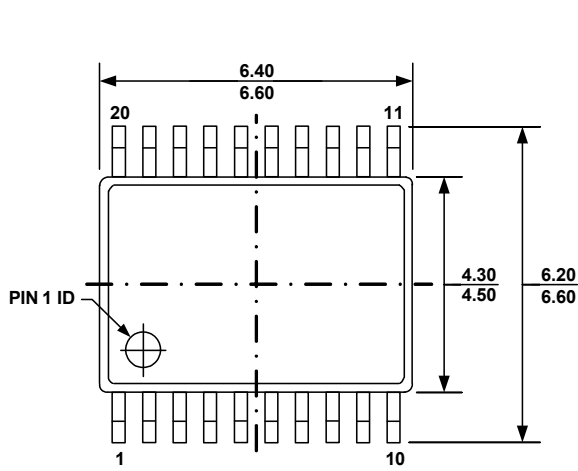
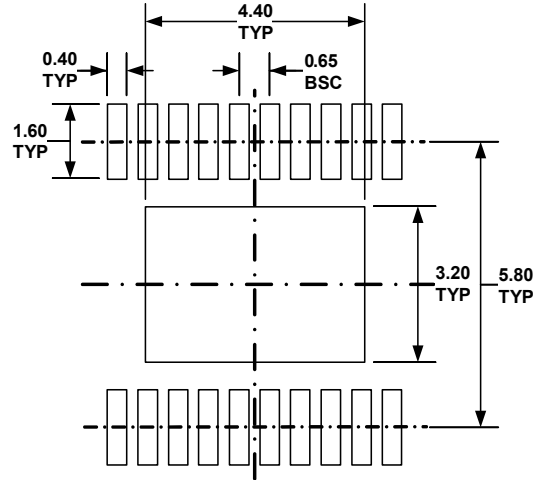
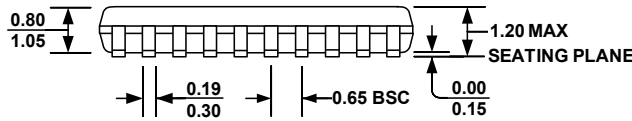
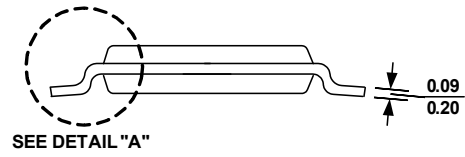
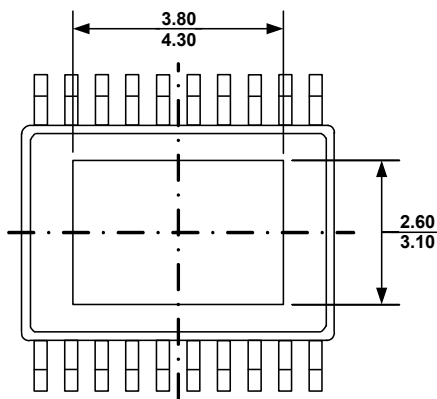
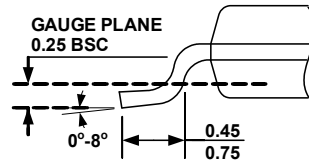
**Figure 11: Recommended PCB Layout for TSSOP Package <sup>(6)</sup>**


**Top Layer**

**Mid-Layer 1**

**Mid-Layer 2**

**Bottom Layer**
**Figure 12: Recommended PCB Layout for QFN Package <sup>(7)</sup>**
**Notes:**

- 6) The recommended PCB layout is based on Figure 13.
- 7) The recommended PCB layout is based on Figure 15.

**TYPICAL APPLICATION CIRCUITS**

**Figure 13: 5V Output Application Circuit for TSSOP Package**

**Figure 14: 12V Output Application Circuit for TSSOP Package**

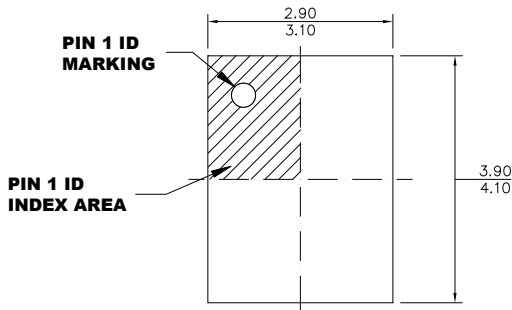
**TYPICAL APPLICATION CIRCUITS (continued)**

**Figure 15: 5V Output Application Circuit for QFN Package**

**Figure 16: 12V Output Application Circuit for QFN Package**

**PACKAGE INFORMATION**
**TSSOP-20 EP**

**TOP VIEW**

**RECOMMENDED LAND PATTERN**

**FRONT VIEW**

**SIDE VIEW**

**BOTTOM VIEW**

**DETAIL "A"**
**NOTE:**

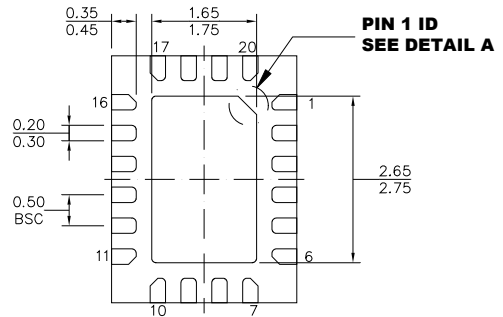
- 1) ALL DIMENSIONS ARE IN MILLIMETERS
- 2) PACKAGE LENGTH DOES NOT INCLUDE MOLD FLASH PROTRUSION OR GATE BURR
- 3) PACKAGE WIDTH DOES NOT INCLUDE INTERLEAD FLASH OR PROTRUSION.
- 4) LEAD COPLANARITY(BOTTOM OF LEADS AFTER FORMING) SHALL BE 0.10 MILLIMETERS MAX
- 5) DRAWING CONFORMS TO JEDEC MO-153, VARIATION ACT
- 6) DRAWING IS NOT TO SCALE

**PACKAGE INFORMATION** *(continued)*

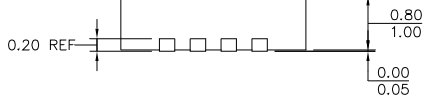
**QFN-20 (3mmx4mm)  
Non-Wettable Flank**



**TOP VIEW**

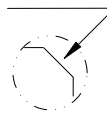


**BOTTOM VIEW**

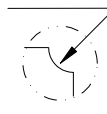


**SIDE VIEW**

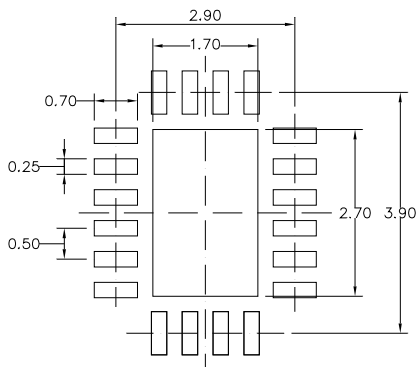
**PIN 1 ID OPTION A  
0.30x45° TYP.**



**PIN 1 ID OPTION B  
R0.20 TYP.**



**DETAIL A**

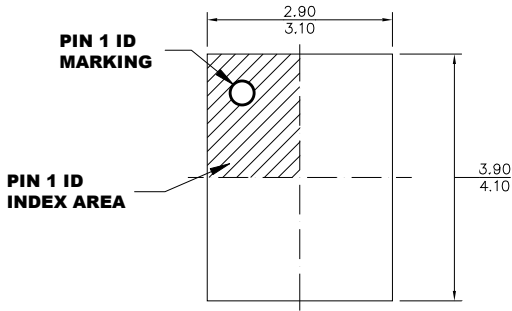
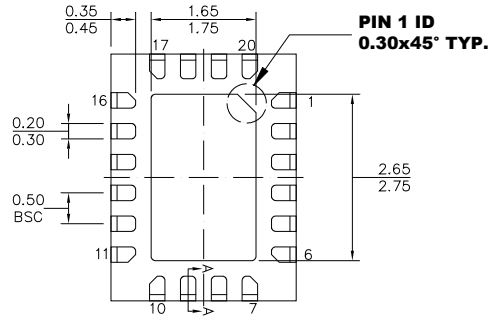
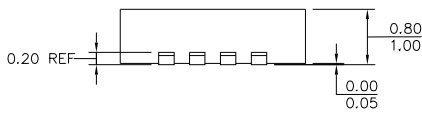
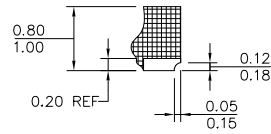
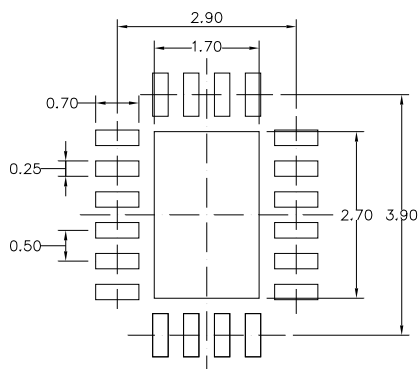


**RECOMMENDED LAND PATTERN**

**NOTE:**

- 1) ALL DIMENSIONS ARE IN MILLIMETERS.
- 2) EXPOSED PADDLE SIZE DOES NOT INCLUDE MOLD FLASH.
- 3) LEAD COPLANARITY SHALL BE 0.08 MILLIMETERS MAX.
- 4) JEDEC REFERENCE IS MO-220.
- 5) DRAWING IS NOT TO SCALE.



**PACKAGE INFORMATION (continued)**
**QFN-20 (3mmx4mm)  
Wettable Flank**

**TOP VIEW**

**BOTTOM VIEW**

**SIDE VIEW**

**SECTION A-A**

**RECOMMENDED LAND PATTERN**
**NOTE:**

- 1) THE LEAD SIDE IS WETTABLE.
- 2) ALL DIMENSIONS ARE IN MILLIMETERS.
- 3) EXPOSED PADDLE SIZE DOES NOT INCLUDE MOLD FLASH.
- 4) LEAD COPLANARITY SHALL BE 0.08 MILLIMETERS MAX.
- 5) JEDEC REFERENCE IS MO-220.
- 6) DRAWING IS NOT TO SCALE.