



The Future of Analog IC Technology®

MPQ4475M

36V, 2.5A, Frequency Selectable,
Step-Down Converter
with Single USB Charging Port
AEC-Q100 Qualified

DESCRIPTION

The MPQ4475M integrates a monolithic, step-down, switch-mode converter with a single USB current-limit switch and a charging port identification circuit. The MPQ4475M achieves 2.5A of continuous output current with excellent load and line regulation over a wide input supply range.

The output of the USB switch is current-limited. The MPQ4475M provides a USB dedicated charging port (DCP), which supports Battery Charging Specification 1.2 (BC1.2), divider mode, and 1.2V/1.2V mode without the need of outside user interaction.

The output voltage has programmable line drop compensation.

Full protection features includes hiccup current limiting, output over-voltage protection (OVP), and thermal shutdown.

The MPQ4475M requires a minimum number of readily available, standard, external components and is available in a QFN-25 (4mmx4mm) package.

FEATURES

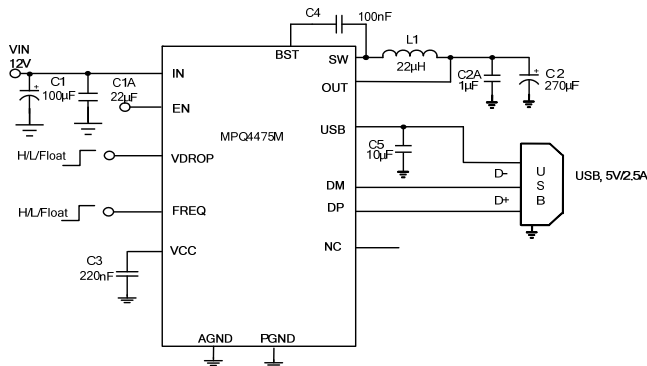
- EMI Reduction Technique
- Wide 7V to 36V Operating Input Voltage Range
- Fixed 5V Output Voltage with Line Drop Compensation
- Accurate USB Output Current Limit
- 40mΩ/32mΩ Low $R_{DS(ON)}$ Internal Buck Power MOSFETs
- 24mΩ Low $R_{DS(ON)}$ Internal USB Power MOSFET
- 350kHz / 250kHz / 150kHz Frequency Selectable
- Programmable Line Drop Compensation
- Output Over-Voltage Protection (OVP)
- Hiccup Current Limit
- Supports DCP Scheme for BC1.2, Divider Mode, and 1.2V/1.2V Mode
- ±8kV HBM ESD Rating for USB, DP, and DM Pins
- Available in a QFN-25 (4mmx4mm) Package
- Available in AEC-Q100 Grade 1
- Less than 1s Short-Circuit Recovery (Hiccup Mode Off-Time)

APPLICATIONS

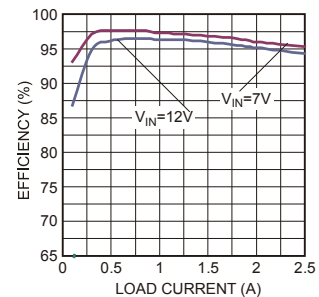
- Automotive USB Smart Charging Ports

All MPS parts are lead-free, halogen-free, and adhere to the RoHS directive. For MPS green status, please visit the MPS website under Quality Assurance. "MPS" and "The Future of Analog IC Technology" are registered trademarks of Monolithic Power Systems, Inc.

TYPICAL APPLICATION



Efficiency vs. Load Current



ORDERING INFORMATION

| Part Number* | Package | Top Marking |
|-----------------|------------------|-------------|
| MPQ4475MGR | QFN-25 (4mmx4mm) | See Below |
| MPQ4475MGR-AEC1 | | |

* For Tape & Reel, add suffix -Z (e.g. MPQ4475MGR-Z)

TOP MARKING

MPSYWW

M4475M

LLLLLL

MPS: MPS prefix

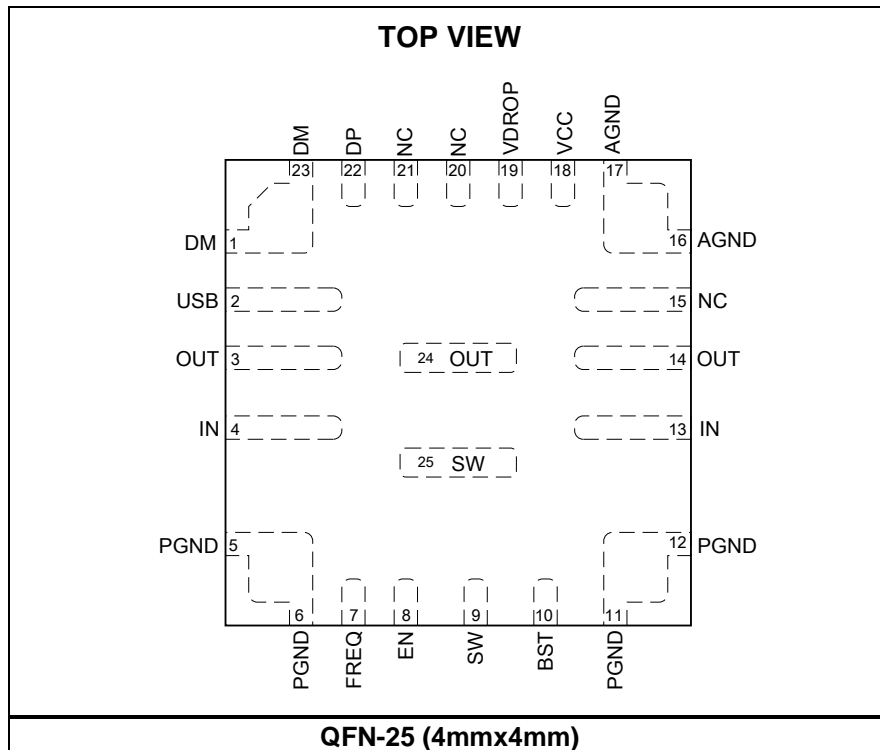
Y: Year code

WW: Week code

M4475M: Product code of MPQ4475MGR and MPQ4475MGR-AEC1

LLLLLL: Lot number

PACKAGE REFERENCE



ABSOLUTE MAXIMUM RATINGS ⁽¹⁾

| | |
|---|---|
| Supply voltage (V_{IN}) | 40V |
| V_{SW} | -0.3V (-5V for <10ns) to $V_{IN} + 0.3V$ (43V for <10ns) |
| V_{BST} | $V_{SW} + 6.5V$ |
| V_{EN} | -0.3V to 10V ⁽²⁾ |
| All other pins | -0.3V to +6.5V |
| Continuous power dissipation ($T_A = +25^\circ C$) ⁽³⁾ | |
| QFN-25 (4mmx4mm) | 2.8W |
| Junction temperature | 150°C |
| Lead temperature | 260°C |
| Storage temperature | -65°C to +150°C |

Recommended Operating Conditions ⁽⁴⁾

| | |
|---------------------------------------|-----------------|
| Operation input voltage range | 7V to 36V |
| Output current | 2.5A for USB |
| Operating junction temp. (T_J) .. | -40°C to +125°C |

| | | | |
|--|---------------|---------------|------|
| Thermal Resistance ⁽⁵⁾ | θ_{JA} | θ_{JC} | |
| QFN-25 (4mmx4mm) | 44 | 9 | °C/W |

NOTES:

- 1) Exceeding these ratings may damage the device.
- 2) For details of EN's ABS Max rating, please refer to the EN Control section on page 11.
- 3) The maximum allowable power dissipation is a function of the maximum junction temperature T_J (MAX), the junction-to-ambient thermal resistance θ_{JA} , and the ambient temperature T_A . The maximum allowable continuous power dissipation at any ambient temperature is calculated by P_D (MAX) = $(T_J$ (MAX) - T_A) / θ_{JA} . Exceeding the maximum allowable power dissipation produces an excessive die temperature, causing the regulator to go into thermal shutdown. Internal thermal shutdown circuitry protects the device from permanent damage.
- 4) The device is not guaranteed to function outside of its operating conditions.
- 5) Measured on JESD51-7, 4-layer PCB.

ELECTRICAL CHARACTERISTICS

$V_{IN} = 12V$, $V_{EN} = 5V$, $T_J = -40^{\circ}C$ to $+125^{\circ}C$, typical value is tested at $T_J = +25^{\circ}C$, unless otherwise noted.

| Parameter | Symbol | Condition | Min | Typ | Max | Units |
|---|-------------------|--|------|------|------|-------------|
| Supply current (shutdown) | I_{IN} | $V_{EN} = 0V, T_J = +25^{\circ}C$ | | | 1 | μA |
| | | $V_{EN} = 0V, T_J = -40^{\circ}C$ to $+125^{\circ}C$ | | | 5 | |
| Supply current (quiescent) | I_{Q_OL} | No switching | | 1.6 | 2.5 | mA |
| EN rising threshold | V_{EN_Rising} | | 1.33 | 1.43 | 1.52 | V |
| EN hysteresis | $V_{EN_Falling}$ | | 110 | 140 | 170 | mV |
| EN input current | I_{EN} | $V_{EN} = 2V, T_J = +25^{\circ}C$ | 1.1 | 1.8 | 2.5 | μA |
| | | $V_{EN} = 2V, T_J = -40^{\circ}C$ to $+125^{\circ}C$ | 0.8 | 1.8 | 3 | |
| | | $V_{EN} = 0V$ | | 0 | | |
| Thermal shutdown ⁽⁶⁾ | T_{STD} | | | 165 | | $^{\circ}C$ |
| Thermal hysteresis ⁽⁶⁾ | T_{STD_HYS} | | | 20 | | $^{\circ}C$ |
| VCC regulator | V_{CC} | | 4.75 | 5.1 | 5.45 | V |
| VCC load regulation | V_{CC_LOG} | $I_{CC} = 5mA$ | | 1 | 2 | % |
| Step-Down Converter | | | | | | |
| V_{IN} under-voltage lockout threshold rising | V_{IN_UVLO} | $T_J = +25^{\circ}C$ | 5.2 | 5.7 | 6.2 | V |
| V_{IN} under-voltage lockout threshold hysteresis | V_{UVLO_HYS} | | | 1 | | V |
| HS switch on resistance | $R_{DS(ON)_HS}$ | | | 40 | | m Ω |
| LS switch on resistance | $R_{DS(ON)_LS}$ | | | 32 | | m Ω |
| Output voltage | V_{OUT} | $7V < V_{IN} < 36V$, no load, $T_J = +25^{\circ}C$ | 5 | 5.05 | 5.1 | V |
| | | $7V < V_{IN} < 36V$, no load, $T_J = -40^{\circ}C$ to $+125^{\circ}C$ | 4.95 | 5.05 | 5.15 | |
| Output over-voltage protection | V_{OVP_R} | | 5.65 | 6 | 6.4 | V |
| OVP recovery | V_{OVP_F} | $T_J = -40^{\circ}C$ to $+125^{\circ}C$ | 5.4 | 5.75 | 6.1 | V |
| Switch leakage | SW_{LKG} | $V_{EN} = 0V, V_{SW} = 36V, T_J = +25^{\circ}C$ | | | 1 | μA |
| | | $V_{EN} = 0V, V_{SW} = 36V, T_J = -40^{\circ}C$ to $+125^{\circ}C$ | | | 5 | |
| Current limit ⁽⁶⁾ | I_{LIMIT} | Over 0-90% duty cycle | 4 | | | A |
| Oscillator frequency | f_{SW1} | FREQ = high, $T_J = +25^{\circ}C$ | 310 | 350 | 410 | kHz |
| | | FREQ = high, $T_J = -40^{\circ}C$ to $+125^{\circ}C$ | 300 | 350 | 420 | |
| | f_{SW2} | FREQ = low, $T_J = +25^{\circ}C$ | 220 | 250 | 300 | |
| | | FREQ = low, $T_J = -40^{\circ}C$ to $+125^{\circ}C$ | 190 | 250 | 330 | |
| | f_{SW3} | FREQ = float, $T_J = +25^{\circ}C$ | 125 | 150 | 180 | |
| | | FREQ = float, $T_J = -40^{\circ}C$ to $+125^{\circ}C$ | 110 | 150 | 185 | |
| Maximum duty cycle | D_{MAX} | FREQ = 350kHz | 84 | 88 | | % |
| Minimum on time ⁽⁶⁾ | T_{ON_MIN} | $T_J = +25^{\circ}C$ | | 130 | | ns |
| Soft-start time | t_{SS} | Output from 10% to 90%, $T_J = +25^{\circ}C$ | 1 | 1.65 | 2.3 | ms |
| | | Output from 10% to 90%, $T_J = -40^{\circ}C$ to $+125^{\circ}C$ | 0.9 | 1.65 | 2.4 | |

ELECTRICAL CHARACTERISTICS (continued)
 $V_{IN} = 12V$, $V_{EN} = 5V$, $T_J = -40^{\circ}C$ to $+125^{\circ}C$, typical value is tested at $T_J = +25^{\circ}C$, unless otherwise noted.

| Parameter | Symbol | Condition | Min | Typ | Max | Units |
|--|----------------------|--|------------|------------------|------|------------|
| USB Switch | | | | | | |
| Under-voltage lockout threshold rising | V_{USB_UVR} | $T_J = +25^{\circ}C$ | 3.8 | 4 | 4.3 | V |
| | | $T_J = -40^{\circ}C$ to $+125^{\circ}C$ | 3.75 | 4 | 4.33 | |
| Under-voltage lockout threshold hysteresis | V_{USB_UVHYS} | | 220 | 270 | 320 | mV |
| Switch-on resistance | R_{DSON_SW} | | | 24 | | m Ω |
| Current limit | I_{Limit} | $T_J = +25^{\circ}C$ | 2.6 | 2.75 | 2.9 | A |
| Line drop compensation | V_{DROP_COM1} | Max load 2.4A, VDROP = float, $T_J = +25^{\circ}C$ | 300 | 400 | 500 | mV |
| | V_{DROP_COM2} | Max load 2.4A, VDROP = high | | 280 | | mV |
| | V_{DROP_COM3} | Max load 2.4A, VDROP = GND | | 130 | | mV |
| FREQ, VDROP high level | V_{HIGH} | | VCC - 0.4V | | | V |
| FREQ, VDROP middle level | V_{MIDDLE} | | | 2.5 | | V |
| FREQ, VDROP low level | V_{LOW} | | | | 0.4 | V |
| V_{BUS} soft-start time | T_{SS} | $V_{OUT} = 5V$, from 10% to 90%, $T_J = +25^{\circ}C$ | 1 | 1.6 | 2.2 | ms |
| | | $V_{OUT} = 5V$, from 10% to 90%, $T_J = -40^{\circ}C$ to $+125^{\circ}C$ | 0.9 | 1.6 | 2.4 | |
| Discharge resistance | R_{DCHG} | $T_J = +25^{\circ}C$ | | 50 | 70 | Ω |
| | | $T_J = -40^{\circ}C$ to $+125^{\circ}C$ | | 50 | 75 | |
| On time of hiccup mode | T_{HICP_ON1} | $V_{OUT} = 5V$, V_{BUS} connected to GND | | 3 ⁽⁶⁾ | | ms |
| | T_{HICP_ON2} | $V_{OUT} = 5V$, $V_{BUS} > 2V$, OC, $T_J = +25^{\circ}C$ | 3.5 | 5 | 6.5 | |
| | | $V_{OUT} = 5V$, $V_{BUS} > 2V$, OC, $T_J = -40^{\circ}C$ to $+125^{\circ}C$ | 3 | 5 | 7 | |
| Off time of hiccup mode | T_{HICP_OFF} | $V_{OUT} = 5V$, V_{BUS} connected to GND, $T_J = +25^{\circ}C$ | 0.35 | 0.5 | 0.65 | s |
| | | $V_{OUT} = 5V$, V_{BUS} connected to GND, $T_J = -40^{\circ}C$ to $+125^{\circ}C$ | 0.2 | 0.5 | 0.8 | |
| BC1.2 DCP Mode | | | | | | |
| DP and DM short resistance | R_{DP/DM_Short} | $V_{DP} = 0.8V$, $I_{DM} = 1mA$, $T_J = +25^{\circ}C$ | | 125 | 155 | Ω |
| | | $V_{DP} = 0.8V$, $I_{DM} = 1mA$, $T_J = -40^{\circ}C$ to $+125^{\circ}C$ | | 125 | 160 | |
| Divider Mode | | | | | | |
| DP/DM output voltage | $V_{DP/DM_Divider}$ | $V_{OUT} = 5V$, $T_J = +25^{\circ}C$ | 2.54 | 2.7 | 2.82 | V |
| | | $V_{OUT} = 5V$, $T_J = -40^{\circ}C$ to $+125^{\circ}C$ | 2.5 | 2.7 | 2.85 | |
| DP/DM output impedance | $R_{DP/DM_Divider}$ | $T_J = +25^{\circ}C$ | 16 | 22 | 30 | k Ω |
| | | $T_J = -40^{\circ}C$ to $+125^{\circ}C$ | 14 | 22 | 34 | |

ELECTRICAL CHARACTERISTICS *(continued)*

$V_{IN} = 12V$, $V_{EN} = 5V$, $T_J = -40^{\circ}C$ to $+125^{\circ}C$, typical value is tested at $T_J = +25^{\circ}C$, unless otherwise noted.

| Parameter | Symbol | Condition | Min | Typ | Max | Units |
|------------------------|-------------------|--|------|------|------|------------|
| 1.2V/1.2V Mode | | | | | | |
| DP/DM output voltage | $V_{DP/DM_1.2V}$ | $V_{OUT} = 5V$, $T_J = +25^{\circ}C$ | 1.16 | 1.25 | 1.34 | V |
| | | $V_{OUT} = 5V$, $T_J = -40^{\circ}C$ to $+125^{\circ}C$ | 1.15 | 1.25 | 1.35 | |
| DP/DM output impedance | $R_{DP/DM_1.2V}$ | $T_J = +25^{\circ}C$ | 55 | 68 | 80 | k Ω |
| | | $T_J = -40^{\circ}C$ to $+125^{\circ}C$ | 50 | 68 | 93 | |

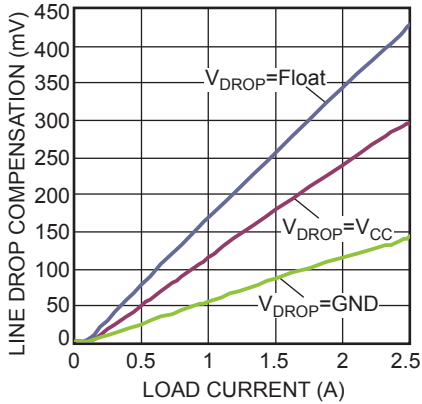
NOTE:

6) Guaranteed by design.

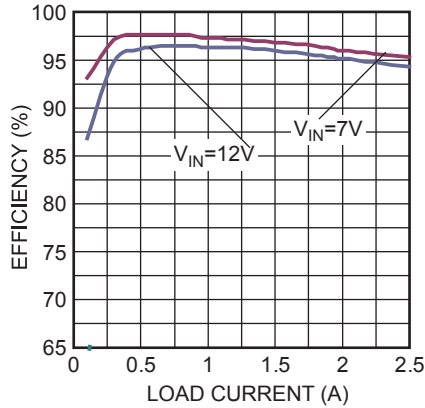
TYPICAL PERFORMANCE CHARACTERISTICS

$V_{IN} = 12V$, $V_{OUT} = 5V$, $L = 22\mu H$, $f_s = 250kHz$, $T_A = 25^\circ C$, unless otherwise noted.

Line Drop Compensation vs. Load Current

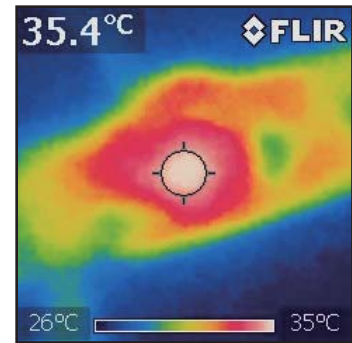


Efficiency vs. Load Current



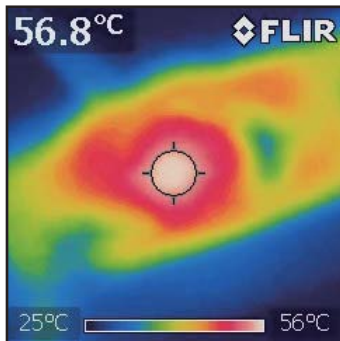
Thermal Test

2 Layer PCB, 4.78cm x 1.38cm
 $T_A=25^\circ C$, No Airflow
 $V_{IN}=12V$, $USB_{I_{OUT}}=1.1A$



Thermal Test

2 Layer PCB, 4.78cm x 1.38cm
 $T_A=25^\circ C$, No Airflow
 $V_{IN}=12V$, $USB_{I_{OUT}}=2.5A$

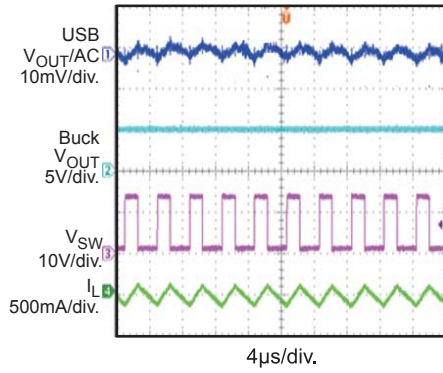


TYPICAL PERFORMANCE CHARACTERISTICS (continued)

$V_{IN} = 12V$, $V_{OUT} = 5V$, $L = 22\mu H$, $f_s = 250kHz$, $T_A = 25^\circ C$, unless otherwise noted.

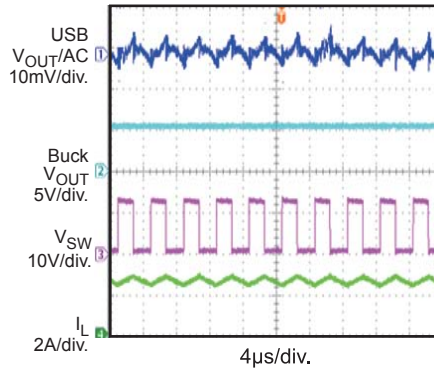
Output Ripple

$V_{IN} = 12V$, USB_I_{OUT} = 0A



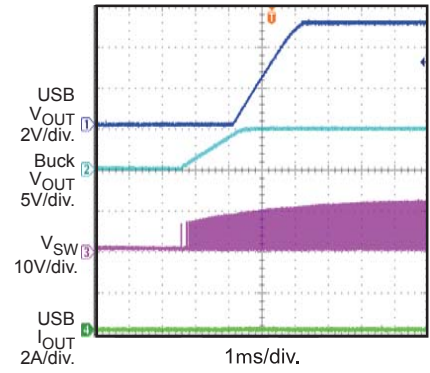
Output Ripple

$V_{IN} = 12V$, USB_I_{OUT} = 2.5A



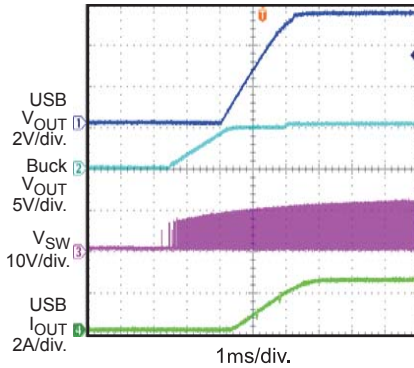
Power Startup

$V_{IN} = 12V$, USB_I_{OUT} = 0A



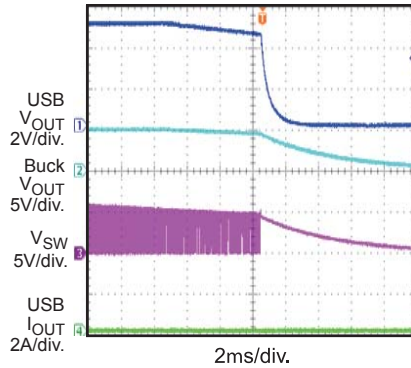
Power Startup

$V_{IN} = 12V$, USB_I_{OUT} = 2.5A, CRL Load



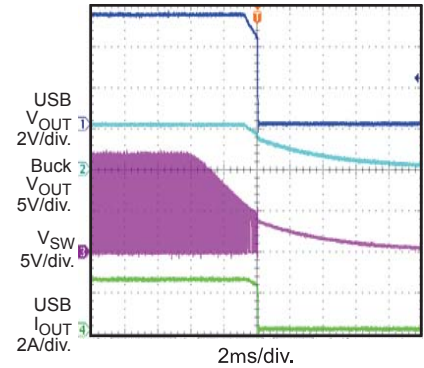
Power Shutdown

$V_{IN} = 12V$, USB_I_{OUT} = 0A

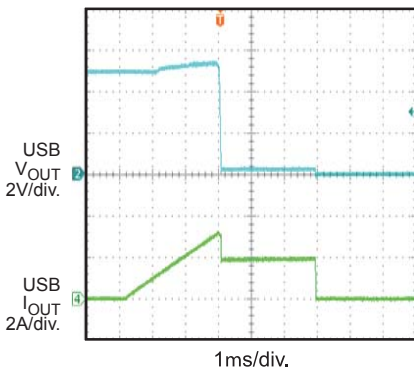


Power Shutdown

$V_{IN} = 12V$, USB_I_{OUT} = 2.5A, CRL Load



USB Over Current Protection



PIN FUNCTIONS

| QFN 4x4 Pin # | Name | Description |
|---------------|-------|--|
| 1, 23 | DM | D- data line to the USB connector. DM is the input/output used for handshaking with portable devices. |
| 2 | USB | USB output. |
| 3, 14, 24 | OUT | Buck output. OUT is the USB's power input. The internal circuit senses the OUT voltage and regulates it at 5V. |
| 4, 13 | IN | Supply voltage. The MPQ4475M operates from a 7V to 36V input voltage. C_{IN} prevents large voltage spikes at the input. Place C_{IN} as close to the IC as possible. IN is the drain of the internal power device and the power supply for the whole chip. |
| 5, 6, 11, 12 | PGND | Power ground. PGND is the reference ground of the regulated output voltage and requires extra care during PCB layout. Connect PGND to GND with copper traces and vias. |
| 7 | FREQ | Frequency selection. Float FREQ to set the frequency at 150kHz. Pull FREQ to ground to set the frequency at 250kHz. Pull FREQ high to set the frequency at 350kHz. |
| 8 | EN | On/off control input. |
| 9, 25 | SW | Switch output. Use wide PCB traces to make the connection. |
| 10 | BST | Bootstrap. Connect a 0.1 μ F capacitor between SW and BST to form a floating supply across the high-side switch driver. |
| 15 | NC | No connection. NC can be connected to OUT for better thermal dissipation. |
| 16, 17 | AGND | Analog ground. Connect AGND to PGND. |
| 18 | VCC | Internal 5V LDO regulator output. Decouple VCC with a 0.22 μ F capacitor. |
| 19 | VDROP | Line drop compensation selection. Refer to the EC table for detailed specifications. |
| 20, 21 | NC | No connection. NC must be left floating. |
| 22 | DP | D+ data line to the USB connector. DP is the input/output used for handshaking with portable devices. |

BLOCK DIAGRAM

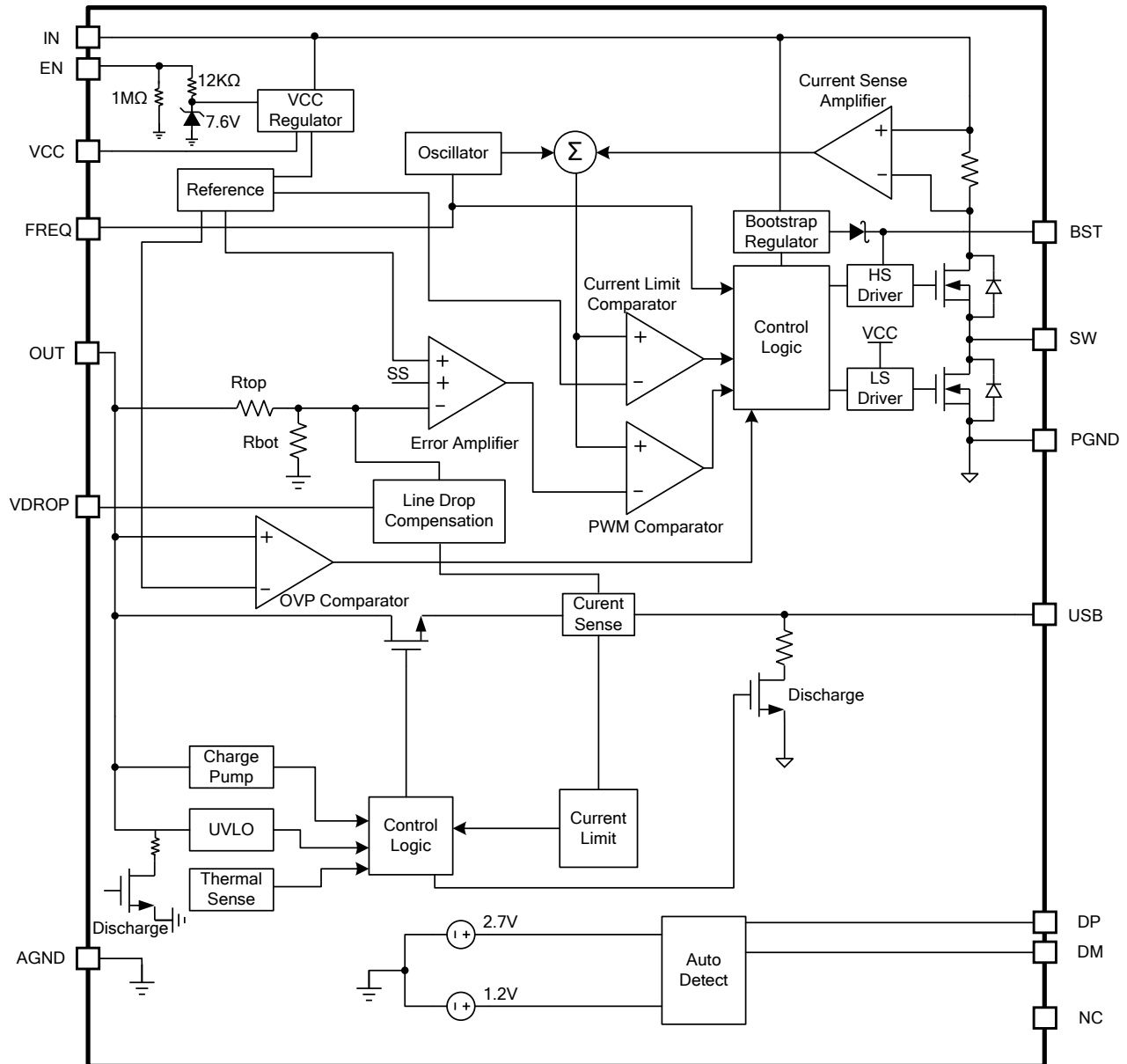


Figure 1: Functional Block Diagram

OPERATION

BUCK CONVERTER SECTION

The MPQ4475M integrates a monolithic, synchronous, rectified, step-down, switch-mode converter with internal power MOSFETs and a USB current-limit switch with charging port auto-detection. The MPQ4475M offers a very compact solution that achieves 2.5A of continuous output current with excellent load and line regulation over a wide input supply range.

The MPQ4475M operates in a fixed-frequency, peak-current-mode control to regulate the output voltage. The internal clock initiates the PWM cycle, which turns on the integrated high-side power MOSFET (HS-FET). The HS-FET remains on until its current reaches the value set by the COMP voltage (V_{COMP}). When the power switch is off, it remains off until the next clock cycle begins. If the duty cycle reaches 88% (350kHz switching frequency) in one PWM period, the current in the power MOSFET cannot reach the COMP-set current value, and the power MOSFET is forced off.

Error Amplifier (EA)

The error amplifier (EA) compares the internal feedback voltage against the internal 1V reference (REF) and outputs a COMP voltage, which controls the power MOSFET current. The optimized internal compensation network minimizes the external component count and simplifies the control loop design.

Internal VCC Regulator

The 5V internal regulator powers most of the internal circuitries. This regulator takes the V_{IN} input and operates in the full V_{IN} range. When V_{IN} exceeds 5.0V, the output of the regulator is in full regulation. When V_{IN} is less than 5.0V, the output decreases with V_{IN} . VCC requires an external 0.22µF ceramic decoupling capacitor.

Enable Control (EN)

The MPQ4475M has an enable control pin (EN). Pulling EN high enables the IC; pulling EN low disables the IC. Connect EN to V_{IN} through a resistor for automatic start-up. An internal 1MΩ resistor from EN to GND allows EN to float to shut down the IC. EN is clamped internally using a 7.6V series Zener diode (see Figure 2).

Connect the EN input through a pull-up resistor to any voltage connected to V_{IN} . EN requires limiting the EN input current below 230µA and the amplitude of the voltage source below 10V to prevent damage to the Zener diode.

For example, if connecting 36V to V_{IN} , then $R_{PULLUP} \geq (36V - 10V) / 230\mu A = 113k\Omega$.

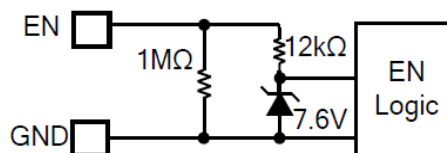


Figure 2: Zener Diode between EN and GND

Under-Voltage Lockout (UVLO)

Under-voltage lockout (UVLO) protects the chip from operating at an insufficient supply voltage. The MPQ4475M's UVLO comparator monitors the input voltage. The UVLO rising threshold is 5.7V, and its falling threshold is 4.7V.

Internal Soft Start (SS)

The soft start (SS) prevents the converter output voltage from overshooting during start-up. When the chip starts up, the internal circuitry generates a SS voltage that ramps up from 0V to 5V. When SS is lower than REF, the error amplifier uses SS as the reference. When SS is higher than REF, the error amplifier uses REF as the reference. The SS time is set to 1.65ms internally.

If the output of the MPQ4475M is pre-biased to a certain voltage during start-up, the IC disables the switching of both the high-side and low-side switches until the voltage on the internal SS capacitor exceeds the internal feedback voltage.

Buck Over-Current-Protection (OCP)

The MPQ4475M uses a cycle-by-cycle over-current limit when the inductor peak current exceeds the current-limit threshold, and the FB voltage drops below the under-voltage (UV) threshold (typically 70% below the reference). Once UV is triggered, the MPQ4475M enters hiccup mode to restart the part periodically. This protection mode is especially useful when the output is dead-shortened to ground. This reduces the average short-circuit current greatly, alleviates thermal issues, and protects the regulator. The MPQ4475M exits hiccup mode once the over-current condition is removed.

Buck Output Over-Voltage Protection (OVP)

The MPQ4475M buck converter has output over-voltage protection (OVP). If the output is higher than 6V, the high-side switch stops turning on. The low-side switch turns on to discharge the output voltage until the output decreases to 5.75V, and the chip then resumes normal operation. If the output over-voltage cannot be discharged to 5.75V, the low-side switch is turned off after the inductor current reaches the negative current limit. The low-side switch turns on again when the next clock cycle is triggered.

Floating Driver and Bootstrap Charging

An external bootstrap capacitor powers the floating power MOSFET driver. This floating driver has its own UVLO protection. The UVLO's rising threshold is 2.2V with a hysteresis of 150mV. The bootstrap capacitor voltage is regulated internally by V_{IN} through D1, M1, C4, L1, and C2 (see Figure 3). If $V_{BST} - V_{SW}$ exceeds 5V, U1 regulates M1 to maintain a 5V BST voltage across C4.

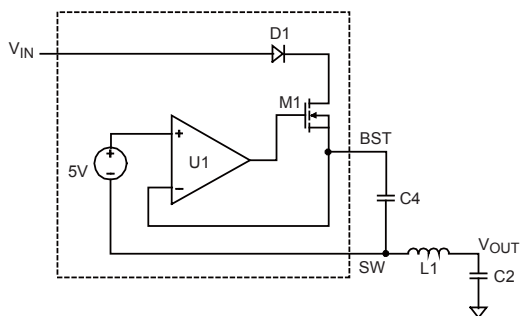


Figure 3: Internal Bootstrap Charging Circuit

Start-Up and Shutdown

If both V_{IN} and EN exceed their respective thresholds, the chip is enabled. The reference block starts first, generating a stable reference voltage and current, and then the internal regulator is enabled. The regulator provides a stable supply for the remaining circuitries.

Three events can shut down the chip: EN low, V_{IN} low, and thermal shutdown. During shutdown, the signaling path is blocked first to prevent any fault triggering. V_{COMP} and the internal supply rail are then pulled down. The floating driver is not subject to this shutdown command.

Buck Output Discharge

The buck portion involves a discharge function that provides a resistive discharge path for the external output capacitor. This function is active when the part is disabled (input voltage is under UVLO, enable off), and is done in a very limited amount of time. After VCC is discharged below 1V, the buck output discharge resistor is disconnected.

USB CURRENT-LIMIT SWITCH SECTION

Current-Limit Switch

The MPQ4475M integrates a single-channel USB current-limit switch. The switch provides built-in, soft-start circuitry that controls the rising slew rate of the output voltage to limit inrush current and voltage surges.

When the load current reaches the current-limit threshold (typically 2.75A), the USB power MOSFET switches into foldback current limit mode (70% of the current limit) (see Figure 4). When the over-current limit condition lasts longer than 3ms, the device enters hiccup mode with 3ms of on time and 0.5s of off time.

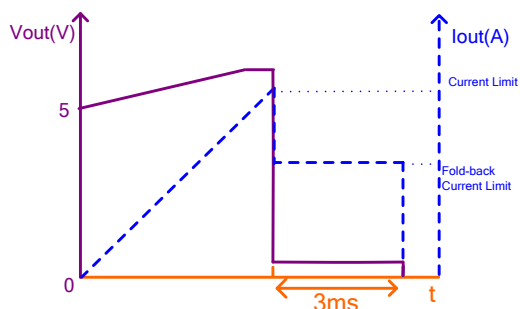


Figure 4: Over-Current Limit

Output Line Drop Compensation

The MPQ4475M can compensate for an output-voltage drop (such as high impedance caused by a long trace) to maintain a fairly constant 5V load-side voltage.

The MPQ4475M uses the internal current-sense output voltage of the current-limit switch to compensate for the line drop voltage. Since the trace resistance is different for different cables, the MPQ4475M provides selectable line drop compensation through VDRO. The line drop compensation amplitude increases linearly as the load current increases, and also has an upper limitation.

USB Output Over-Voltage Protection (OVP)

To protect the device at the cable terminal, the USB switch output uses a dynamic over-voltage protection (OVP) threshold. The MPQ4475M adjusts the OVP threshold based on different USB loading currents.

The MPQ4475M uses intelligent line drop compensation and a dynamic over-voltage protection control scheme to ensure that the voltage at the cable terminal meets the 4.75V - 5.25V specification.

USB Output Discharge

USB portion involves a discharge function that provides a resistive discharge path for the external output capacitor. The function is active when the part is disabled (input voltage is under UVLO, enable off), and is done in a very limited amount of time.

Auto-Detection

The MPQ4475M integrates the USB dedicated charging port auto-detect function, which recognizes most mainstream portable devices. The MPQ4475M supports the following charging schemes:

- USB Battery Charging Specification BC1.2/ Chinese Telecommunications Industry Standard YD/T 1591-2009
- Divider Mode
- 1.2V/1.2V Mode

The auto-detect function utilizes a state machine that supports all of the above DCP charging schemes.

After power startup, MPQ4475M will enter default divider mode, output voltage is 5.05V with full line drop compensation. If MPQ4475M enters BC1.2 short mode or 1.2V/1.2V mode, output voltage will change to 5.25V with half line drop compensation. By doing this, the device uses BC1.2 mode or 1.2V/1.2V mode that can charge at its full rated current.

Thermal Shutdown

Thermal shutdown prevents the chip from operating at exceedingly high temperatures. When the silicon die temperature exceeds 165°C, the entire chip shuts down. When the temperature falls below its lower threshold (typically 145°C), the chip is enabled again.

APPLICATION INFORMATION

Selecting the Inductor

Use an inductor with a DC current rating at least 25% percent higher than the maximum load current for most applications. Select an inductor with a small DC resistance for optimum efficiency. For most designs, the inductor value can be derived with Equation (1):

$$L_1 = \frac{V_{OUT} \times (V_{IN} - V_{OUT})}{V_{IN} \times \Delta I_L \times f_{OSC}} \quad (1)$$

Where ΔI_L is the inductor ripple current.

Choose the inductor ripple current to be approximately 30% of the maximum load current. The maximum inductor peak current can be calculated with Equation (2):

$$I_{L(MAX)} = I_{LOAD} + \frac{\Delta I_L}{2} \quad (2)$$

Typically, a 22 μ H inductance is recommended to improve EMI.

Selecting the Buck Input Capacitor

The input current to the step-down converter is discontinuous and therefore requires a capacitor to supply AC current to the step-down converter while maintaining the DC input voltage. Use low ESR capacitors for best performance. Ceramic capacitors with X5R or X7R dielectrics are highly recommended because of their low ESR and small temperature coefficients. For CLA applications, a low ESR 100 μ F electrolytic capacitor and two 10 μ F ceramic capacitors are recommended for EMI reduction.

Since the input capacitor (C1) absorbs the input switching current, it requires an adequate ripple current rating. The RMS current in the input capacitor can be estimated with Equation (3):

$$I_{C1} = I_{LOAD} \times \sqrt{\frac{V_{OUT}}{V_{IN}} \times \left(1 - \frac{V_{OUT}}{V_{IN}}\right)} \quad (3)$$

The worst-case condition occurs at $V_{IN} = 2V_{OUT}$, shown in Equation (4):

$$I_{C1} = \frac{I_{LOAD}}{2} \quad (4)$$

For simplification, choose an input capacitor with an RMS current rating greater than half of the maximum load current.

The input capacitor can be electrolytic, tantalum, or ceramic. When using electrolytic capacitors, place two additional high-quality ceramic capacitors as close to IN as possible. The input voltage ripple caused by the capacitance can be estimated with Equation (5):

$$\Delta V_{IN} = \frac{I_{LOAD}}{f_s \times C1} \times \frac{V_{OUT}}{V_{IN}} \times \left(1 - \frac{V_{OUT}}{V_{IN}}\right) \quad (5)$$

Selecting the Buck Output Capacitor

The device requires an output capacitor (C2) to maintain the DC output voltage. Estimate the output voltage ripple with Equation (6):

$$\Delta V_{OUT} = \frac{V_{OUT}}{f_s \times L_1} \times \left(1 - \frac{V_{OUT}}{V_{IN}}\right) \times \left(R_{ESR} + \frac{1}{8 \times f_s \times C2}\right) \quad (6)$$

Where L_1 is the inductor value, and R_{ESR} is the equivalent series resistance (ESR) value of the output capacitor.

For electrolytic capacitors, the ESR dominates the impedance at the switching frequency. For simplification, the output ripple can be approximated with Equation (7):

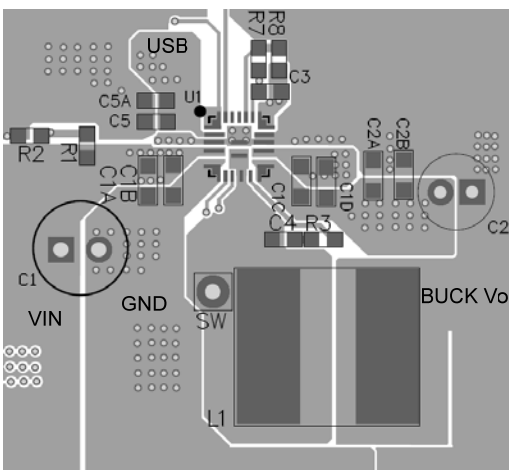
$$\Delta V_{OUT} = \frac{V_{OUT}}{f_s \times L_1} \times \left(1 - \frac{V_{OUT}}{V_{IN}}\right) \times R_{ESR} \quad (7)$$

The characteristics of the output capacitor affect the stability of the regulatory system. A low ESR electrolytic capacitor is recommended for low output ripple and good control loop stability. For CLA applications, a 270 μ F polymer or electrolytic capacitor with ~20m Ω ESR and one 1 μ F ceramic capacitor are recommended.

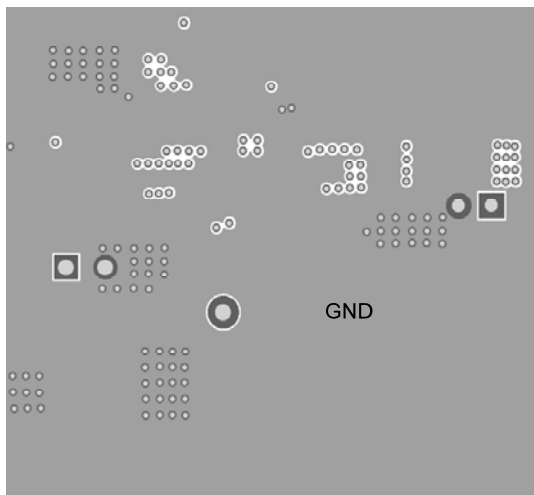
PCB Layout Guidelines

Efficient PCB layout is critical for stable operation and thermal dissipation. For best results, refer to Figure 5 and follow the guidelines below.

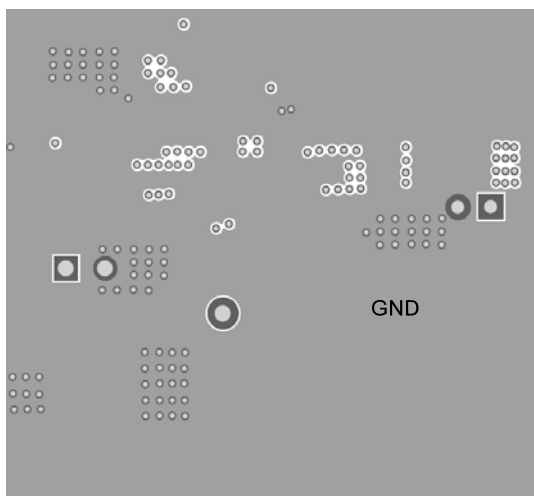
1. Connect OUT with short, direct, and wide traces.
2. Add vias under the IC.
3. Route the OUT trace on both PCB layers.
4. Use a large copper plane for PGND.
5. Add multiple vias for better thermal dissipation.
6. Connect AGND to PGND.
7. Use a large copper plane for SW and USB.
8. Place the USB output capacitor close to USB.
9. Place two ceramic input decoupling capacitors as close to IN and PGND as possible to improve EMI performance.
10. Place the VCC decoupling capacitor as close to VCC as possible.



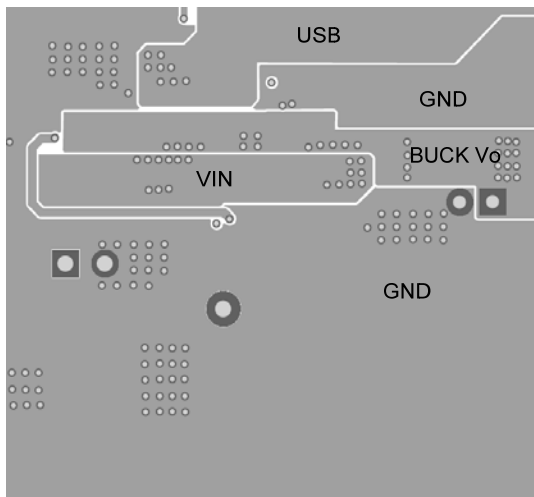
Top Layer



Mid1 Layer



Mid2 Layer



Bottom Layer

Figure 5: Recommended Layout

TYPICAL APPLICATION CIRCUIT

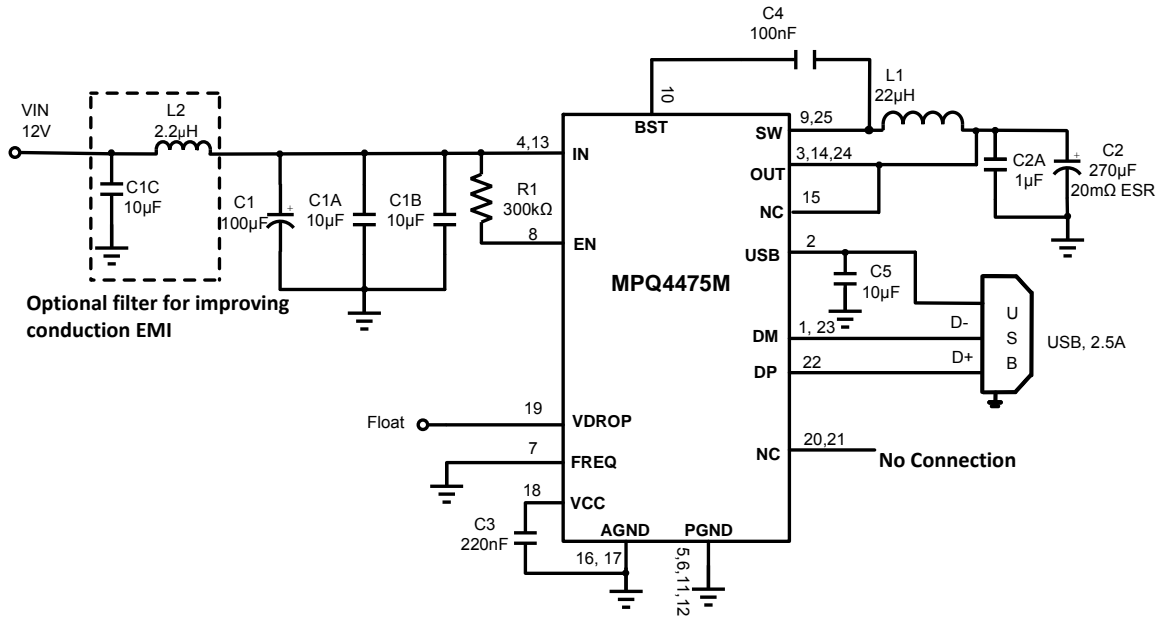


Figure 6: $V_{IN} = 12V$, USB = 5V/2.5A