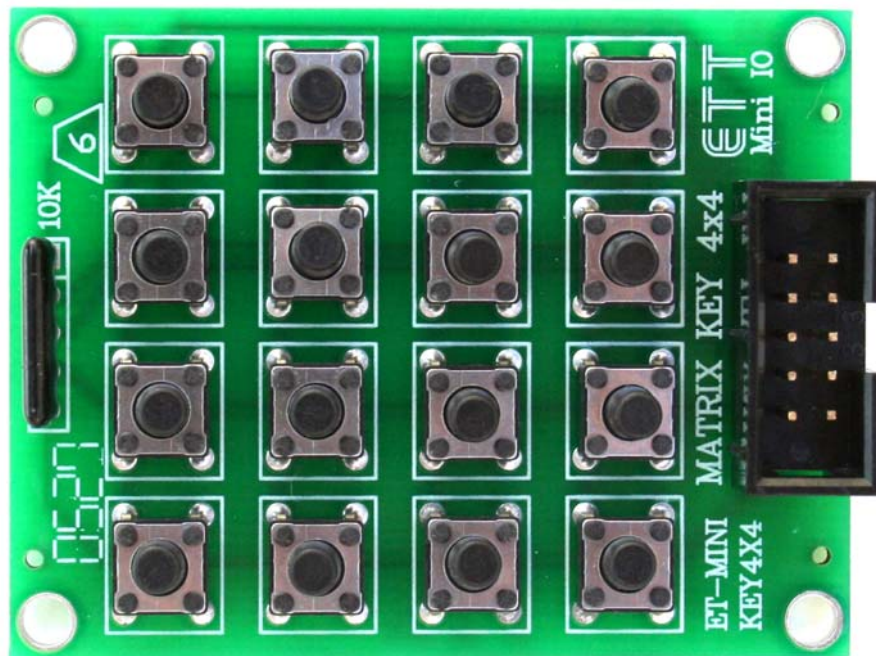


MR-MINI-4x4KEY™ Mini 4x4 Matrix Keyboard BOARD
User Manual

GRAVITECH.US



uResearch

GRAVITECH GROUP

Copyright © 2007 MicroResearch
GRAVITECH GROUP WWW.GRAVITECH.US

MR-MINI-4x4KEY™ Mini 4x4 Matrix Keyboard BOARD User Manual

Description

The MR-MINI-4x4KEY is a 4x4 matrix keyboard module. It is 10-PIN MRconnect® ready. It has 8 pins to interface with MCU (microcontroller). PIN1-PIN4 (COLUMN) is INPUT for MCU to reads the status of key pressing. PIN5-PIN8 (ROW) is OUTPUT for MCU to send logic LOW to scan key press on each row. MCU operation is sending logic LOW into each key's ROW (PIN5-PIN8). The MCU is then reading the status of key press from PIN1-PIN4. If any key is pressed, the status read logic LOW, otherwise the logic is HIGH. PCB size is 2.20" x 1.70"

Specifications:

- 10-PIN MRconnect® ready
- +3.0V to +5VDC supply voltage
- On-board pulled-up resistors
- Small and compact in size
- Four mounting holes on each corner



Pin out:

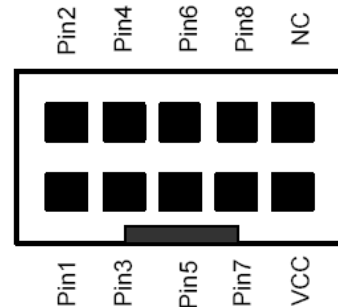


FIG 1: Top view pin out

Name	Type	Description
Pin1-Pin4	Output	Key press output status
Pin5-Pin8	Input	Scan key press input
+VCC	PWR	Supply voltage (3-5VDC)
NC	NC	No connect

Accessories

All of the accessories are available for purchase via our website. If you don't see the item you need, please contract our sales department at sales@gravitech.us

- **MR-10RC-FF**
10-PIN 12" ribbon cable.



MR-MINI-4x4KEY™ Mini 4x4 Matrix Keyboard BOARD User Manual

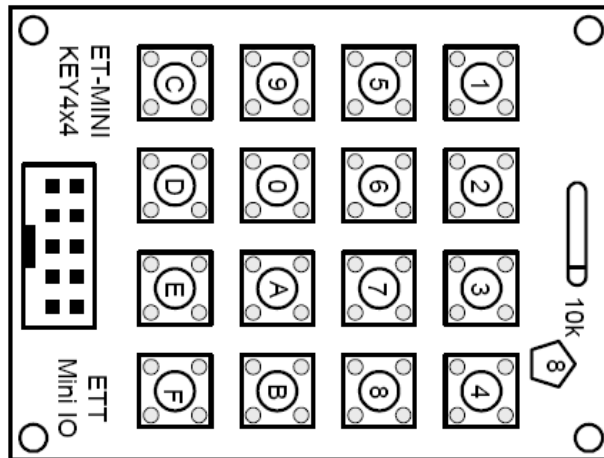


FIG 2: MR-MINI-4x4KEY Board Layout

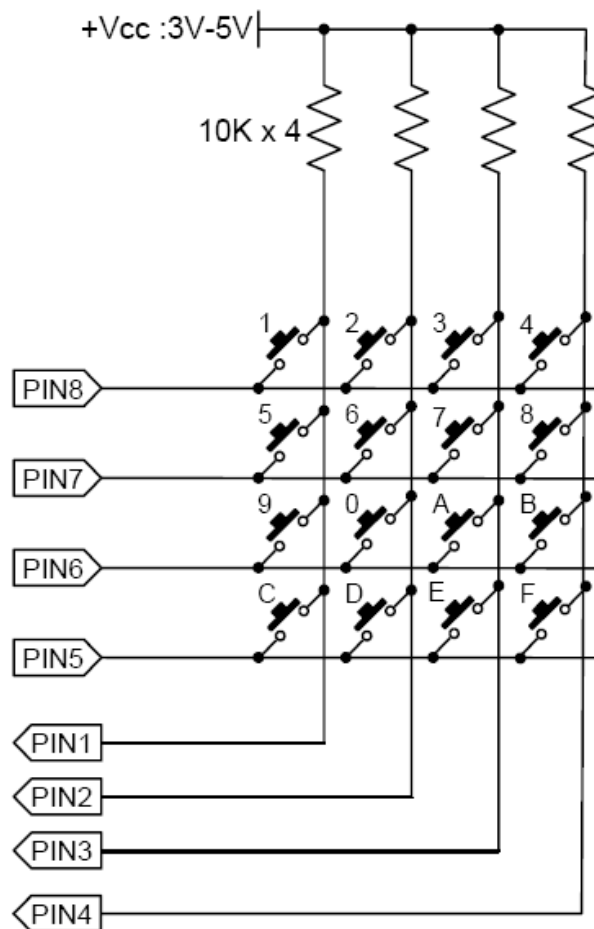


FIG 3: MR-MINI-4x4KEY Schematic