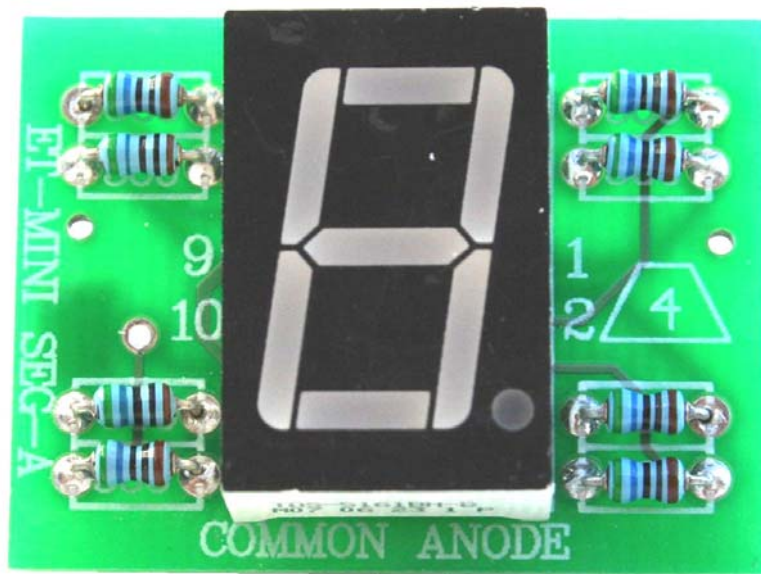


MR-MINI-7SEG-CA™ Mini 7-Segment Common Anode  
User Manual

# GRAVITECH.US



# *uResearch*

**GRAVITECH GROUP**

Copyright © 2007 MicroResearch  
GRAVITECH GROUP WWW.GRAVITECH.US

# MR-MINI-7SEG-CA™ Mini 7-Segment Common Anode User Manual

## Description

The MR-MINI-7SEG-CA is a common anode 7-segment with integrated on-board current limited resistors. It is 10-PIN MRconnect® ready. It can be plug directly onto 10-PIN MRconnect® connector. User can interface the signal from I/O pins of any microcontroller to the connector on the bottom of the module. Figure 1 shown the bottom view of the connector.

The module can be interface by connect the common pin to VCC and pin a-dp to 8-bit I/O pins of any microcontroller. A segment can be light up by sending logic LOW to the display. It is easier to decode if user interface I/O pin of microcontroller as same as 7-segment's pin arrangement. PCB size is 1.20" x 0.90"

## Specifications:

- 10-PIN MRconnect® ready
- +5VDC supply voltage
- Onboard current limited resistors
- Small and compact in size
- Female header connector.

## Pin out:

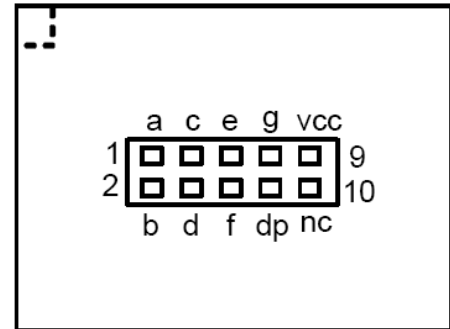


FIG 1: Bottom view pin out

Name	Type	Description
a, b, c, d, e, f, g, dp	Input	Segment input (send logic LOW to light up the segment)
VCC	PWR	Supply voltage ( <b>+5VDC</b> )
NC	NC	No connect



**uResearch**  
© 2007 Copyright. All Rights Reserved



**uResearch**  
© 2007 Copyright. All Rights Reserved

# MR-MINI-7SEG-CA™ Mini 7-Segment Common Anode User Manual

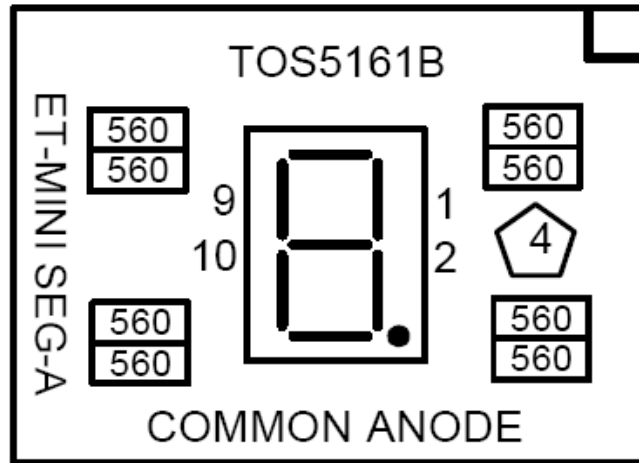


FIG 2: MR-MINI-7SEG-CA Board Layout

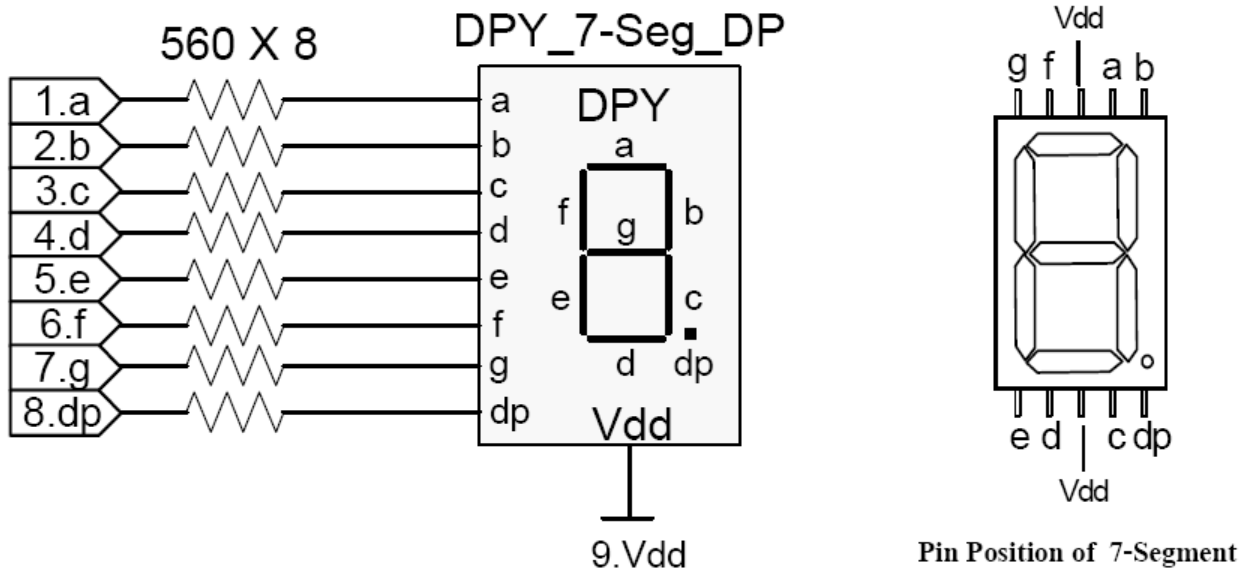


FIG 3: MR-MINI-7SEG-CA Schematic