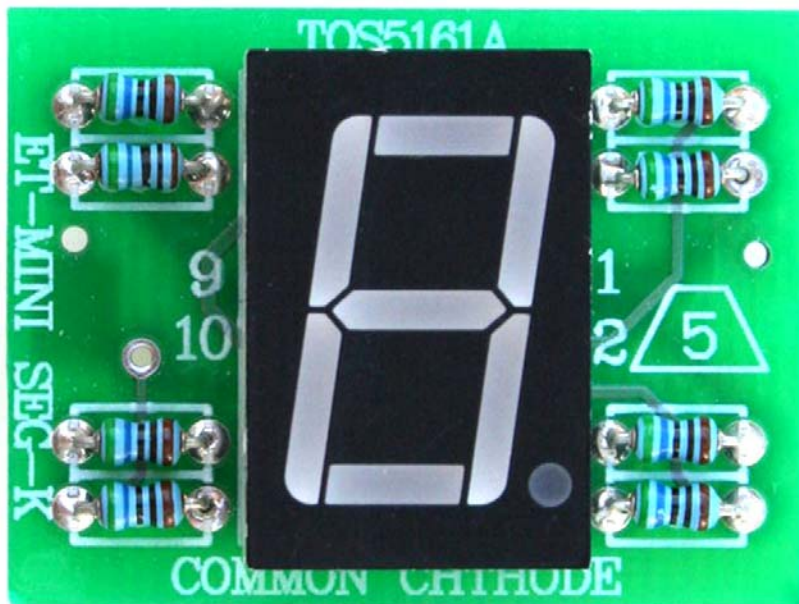


# GRAVITECH.US



# *uResearch*

## GRAVITECH GROUP

# MR-MINI-7SEG-CC™ Mini 7-Segment Common Cathode User Manual

## Description

The MR-MINI-7SEG-CC is a common cathode 7-segment with integrated on-board current limited resistors. It is 10-PIN MRconnect® ready. It can be plug directly onto 10-PIN MRconnect® connector. User can interface the signal from I/O pins of any microcontroller to the connector on the bottom of the module. Figure 1 shown the bottom view of the connector.

The module can be interface by connect the common pin to GND and pin a-dp to 8-bit I/O pins of any microcontroller. A segment can be light up by sending logic HIGH to the display. It is easier to decode if user interface I/O pin of microcontroller as same as 7-segment's pin arrangement. PCB size is 1.20" x 0.90"

## Specifications:

- 10-PIN MRconnect® ready
- +3.3 or +5VDC logic
- Onboard current limited resistors
- Small and compact in size
- Female header connector.

## Pin out:

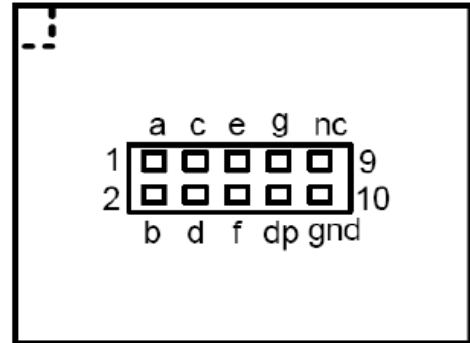
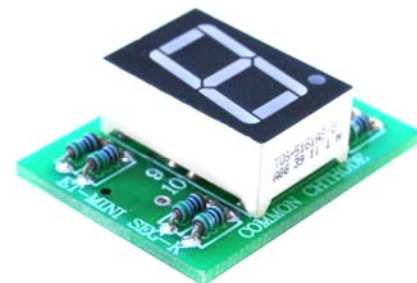


FIG 1: Bottom view pin out

Name	Type	Description
a, b, c, d, e, f, g, dp	Input	Segment input (send logic HIGH to light up the segment)
GND	PWR	Supply ground
NC	NC	No connect



*uResearch*  
© 2007 Copyright. All Rights Reserved



*uResearch*  
© 2007 Copyright. All Rights Reserved

# MR-MINI-7SEG-CC™ Mini 7-Segment Common Cathode User Manual

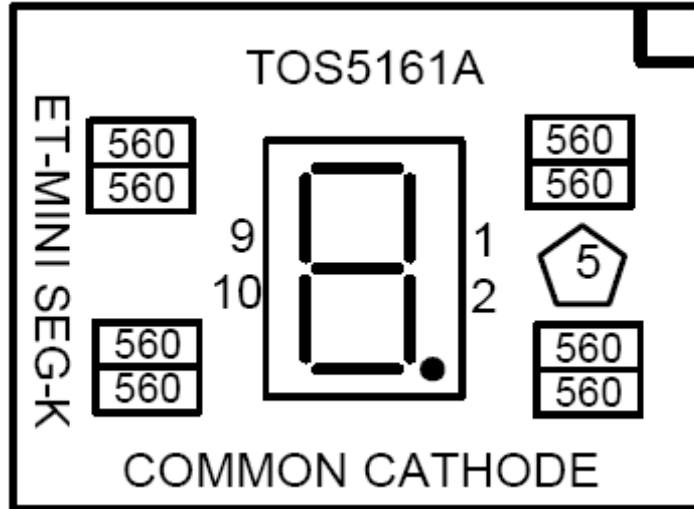


FIG 2: MR-MINI-7SEG-CC Board Layout

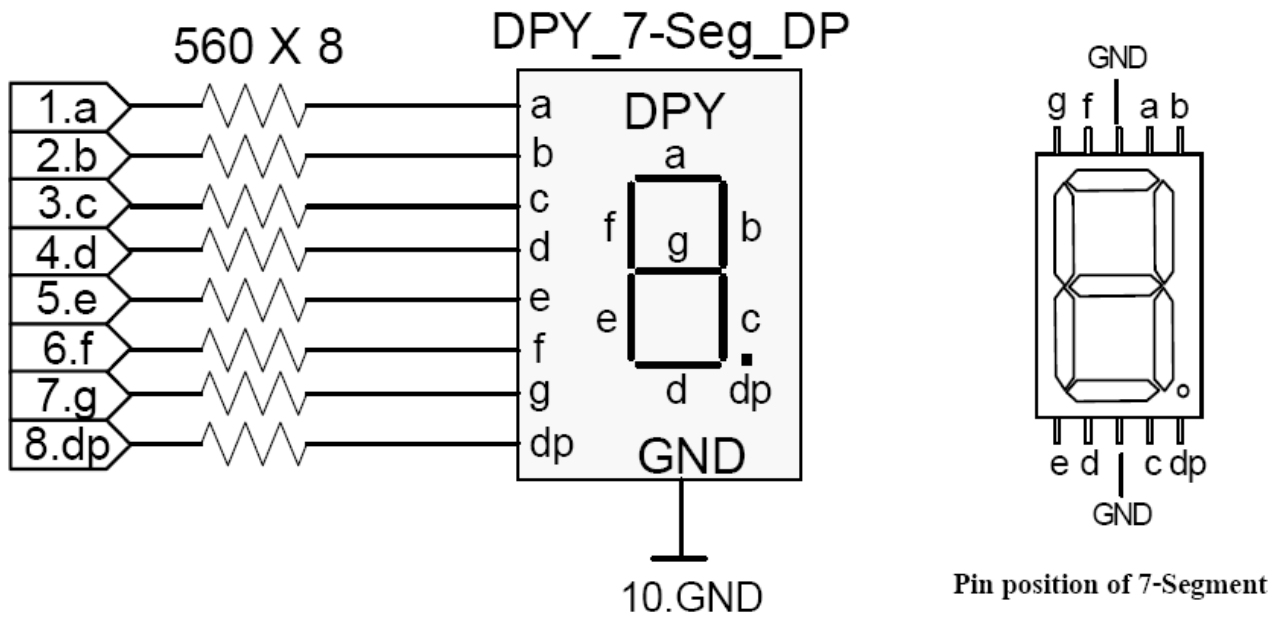


FIG 3: MR-MINI-7SEG-CC Schematic