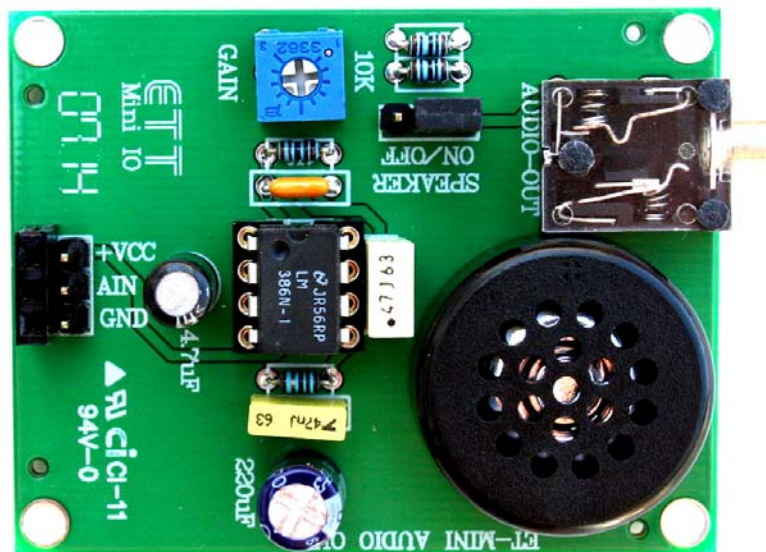


MR-MINI-AUDIO™ Mini Audio Output BOARD
User Manual

GRAVITECH.US



uResearch

GRAVITECH GROUP

Copyright © 2007 MicroResearch
GRAVITECH GROUP WWW.GRAVITECH.US

MR-MINI-AUDIO™ Mini Audio Output BOARD User Manual

Description

The MR-MINI-AUDIO is a mini amplifier with speaker board that receives input as the analog audio signal. The signal then amplifies and sends out through speaker. Moreover, there is a stereo jack that can be interfaced with headphone or external amplifier. PCB size is 2.20" x 1.70"

Specifications:

- Mini speaker model number PB-2015
- Receive signal as analog input
- Auto-cut audio of speaker PB-2015 on board when stereo jack is inserted.
- Amplifier circuit is using LM386 IC
- Adjustable gain of the amplifier circuit
- Male and Female header inputs.
- Small in size



MR-MINI-AUDIO™ Mini Audio Output BOARD User Manual

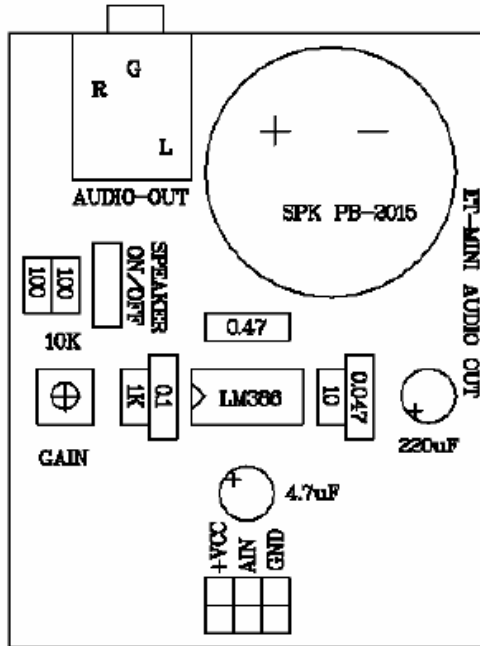


FIG 1: MR-MINI-AUDIO Board Layout

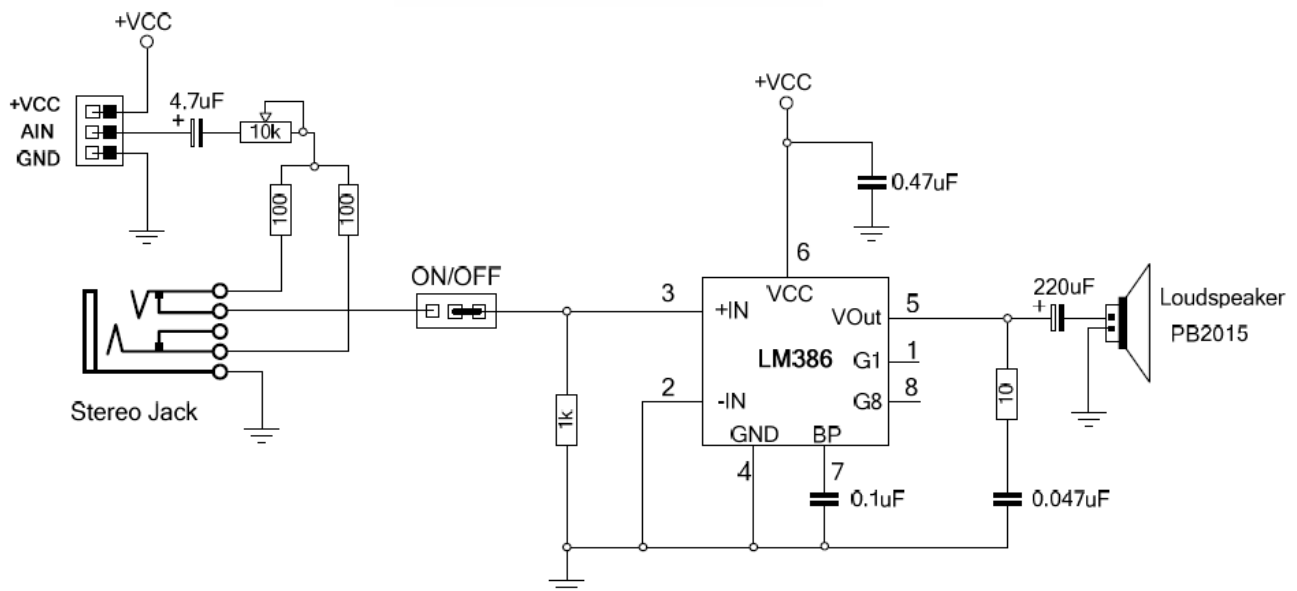


FIG 2: MR-MINI-AUDIO Schematic