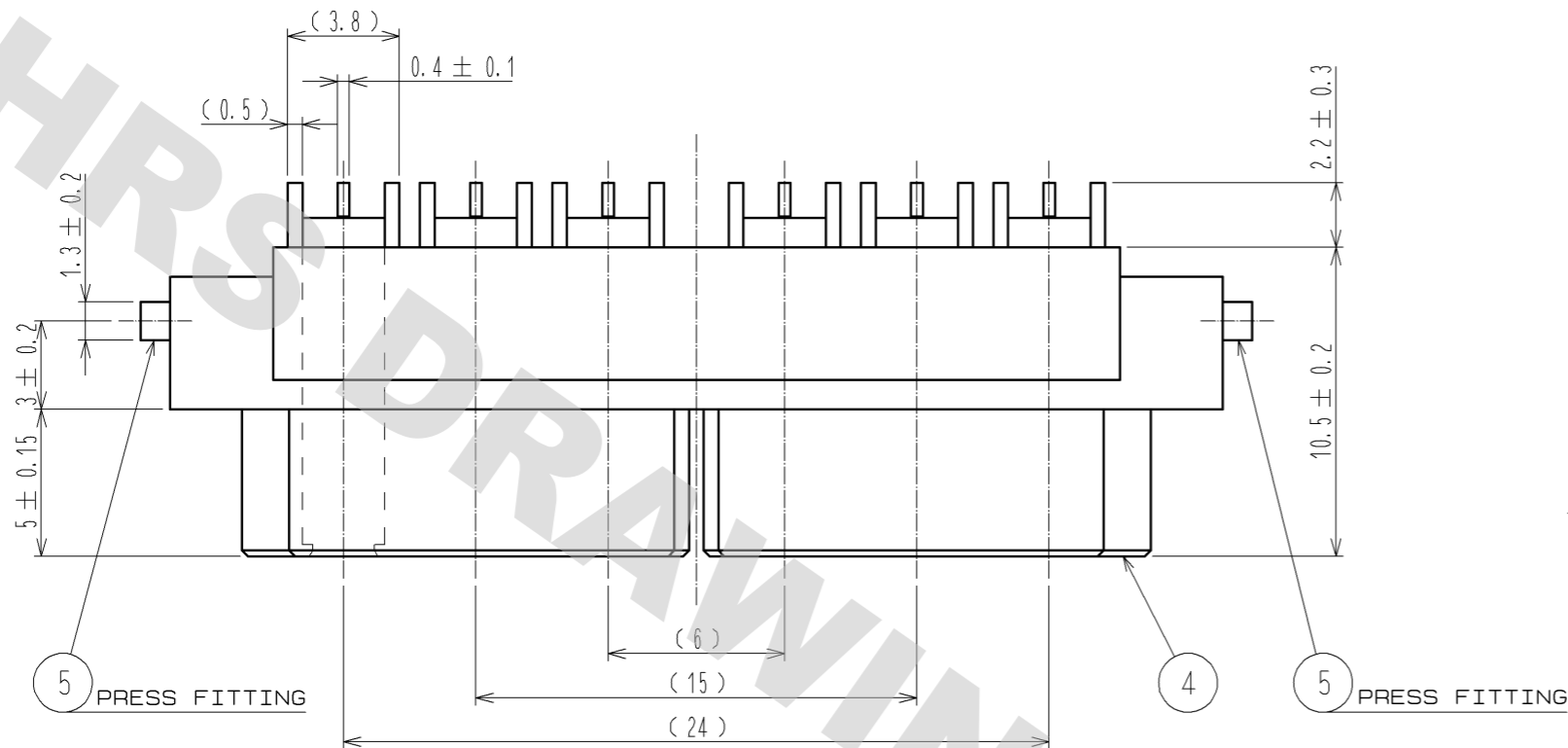
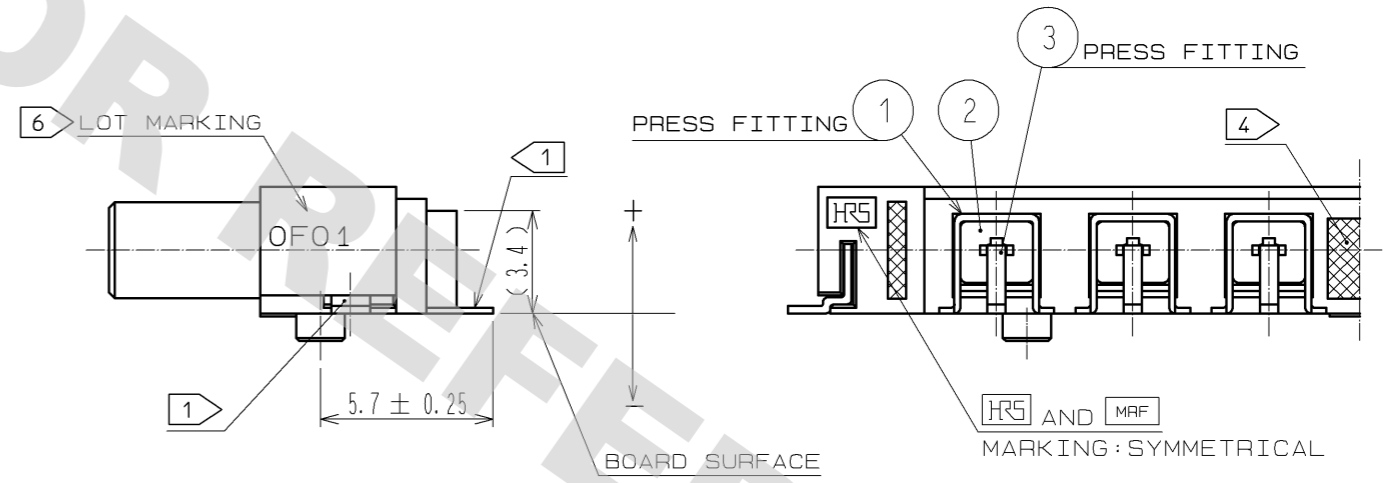
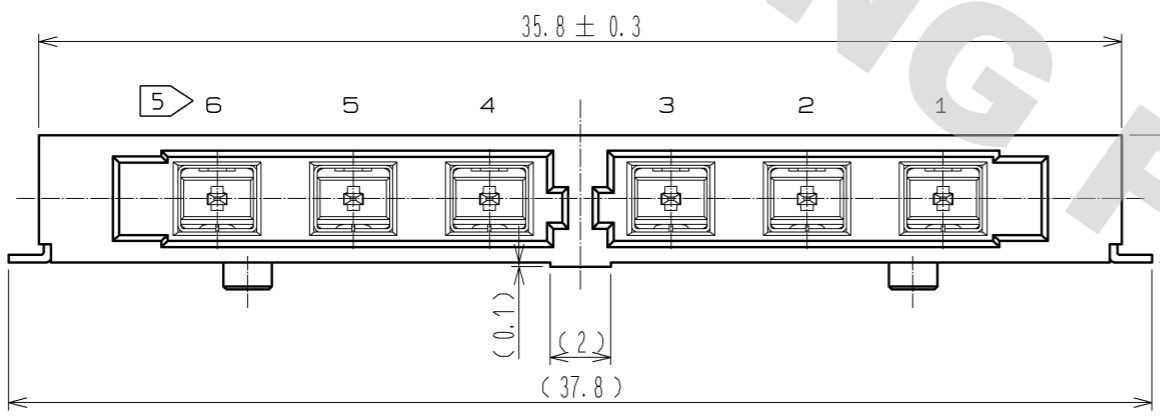
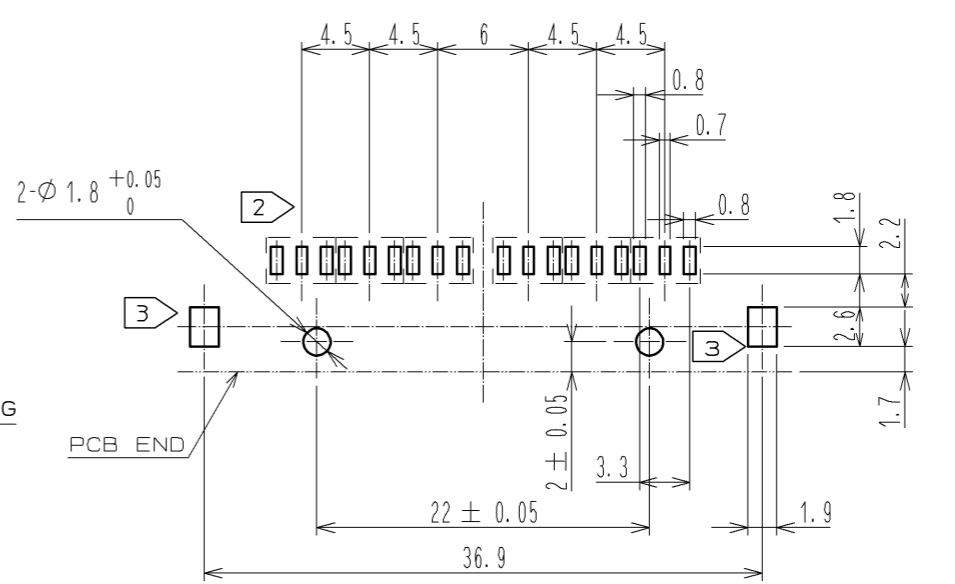


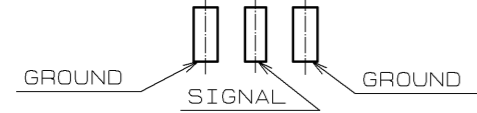
DRAWING FOR REFERENCE: This is subject to change without notice  
08/11/2012



RECOMMENDED LAND PATTERN DIMENSION OF PWB(2:1)



- NOTES
- 1 CO-PLANARITY OF LEAD AND METAL FITTINGS SHALL BE  $0_{-0.15}^0$  FROM BOARD SURFACE.
  - 2 GROUND-SIGNAL-GROUND IN [ ] IS ONE SET.

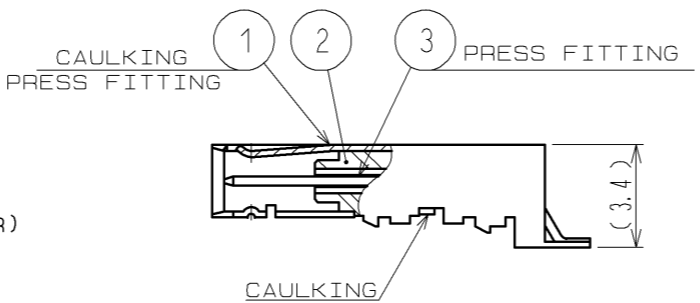


- 3 THESE TWO PARTS ARE SOLDERED ON METAL FITTINGS, NOT FOR SIGNAL AND GROUND.
- 4 THIS AREA (XXXXXX) IS FOR PREVENTIVE HOLE FOR SINK MARK.
- 5 CONTACT NO. INDICATED IS NOT MARKED ON THE CONNECTOR.
- 6 A LOT MARKING TO BE INDICATED AT THE POSITION SHOWN.

O F O1  
 SYMBOL INDICATING DAY  
 SYMBOL INDICATING MONTH(TABLE-1)  
 SYMBOL INDICATING YEAR  
 (BOTTOM 1 FIGURES OF DOMINICAL YEAR)

JAN.	FEB.	MAR.	APR.	MAY	JUN	JUL.	AUG.	SEP.	OCT.	NOV.	DEC.
A	B	C	D	E	F	G	H	I	J	K	L

PARTIAL ASSEMBLY DRAWING(4:1)



NO.	MATERIAL	FINISH . REMARKS	NO.	MATERIAL	FINISH . REMARKS
2	POLYAMIDE	BLACK·UL94HB	5	BRASS	GOLD PLATING 0.05#
1	PHOSPHOR BRONZE	UNDERPLATING:NICKEL PLATING 1# DIP AREA:GOLD PLATING 0.05# CONTACT AREA:NICKEL PLATING 1#	4	PPS	BLACK·UL94V-0
			3	PHOSPHOR BRONZE	UNDERPLATING:NICKEL PLATING 1# DIP AREA:GOLD PLATING 0.05# CONTACT AREA:GOLD PLATING 0.3#

UNITS	SCALE	COUNT	DESCRIPTION OF REVISIONS	DESIGNED	CHECKED	DATE
mm	4 : 1	△	APPROVED : MH. YAMANE 10.06.11 CHECKED : NK. NINOMIYA 10.06.11 DESIGNED : HS. TAKEUCHI 10.06.08 DRAWN : KS. TAKAHASHI 10.06.08			

DRAWING NO.	PART NO.	CODE NO.
EDC3-130563-40	MRF03-6PR-SMT(40)	CL313-1003-5-40