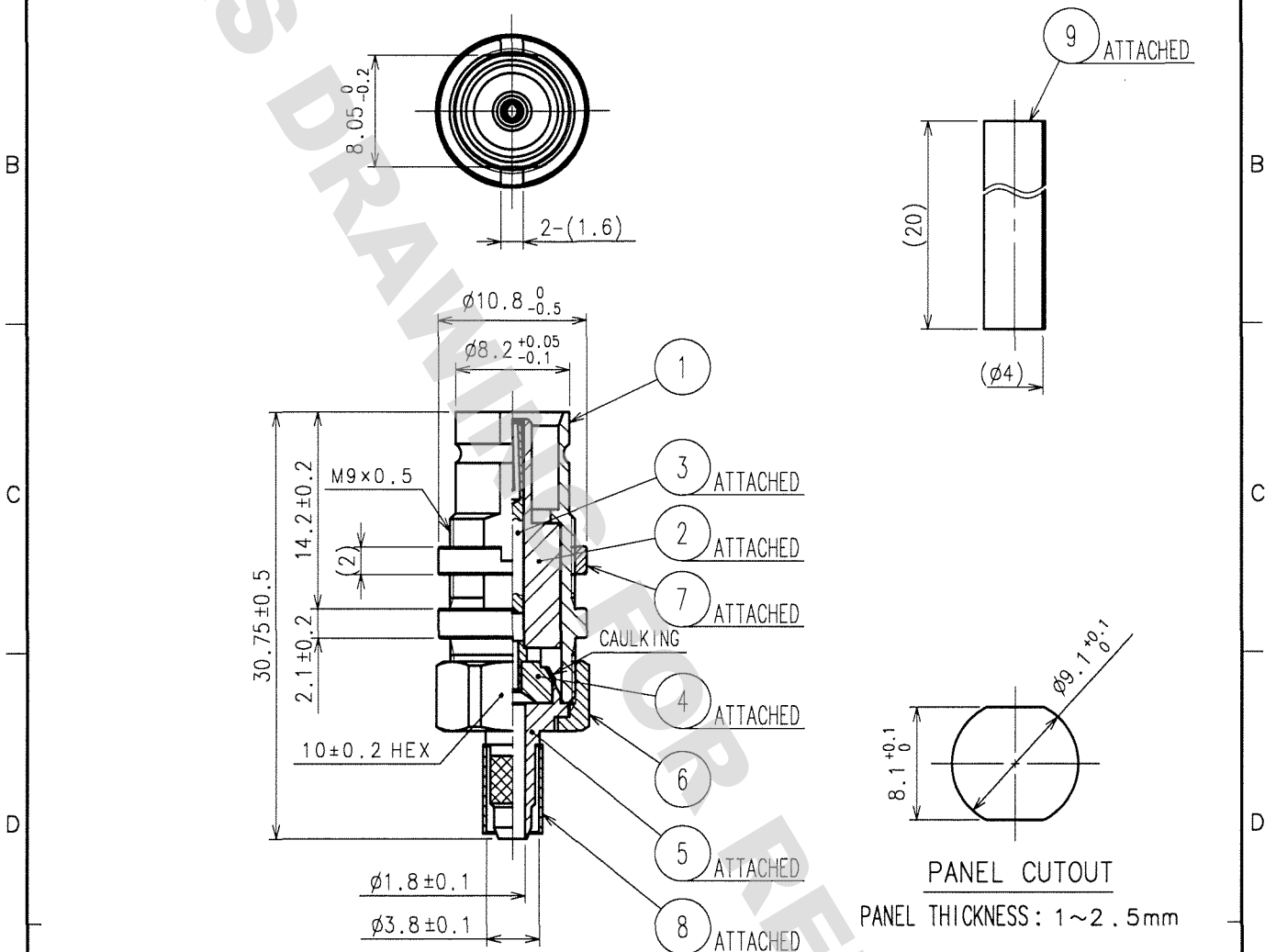


1		2			3			4		
COUNT	DESCRIPTION OF REVISIONS	BY	CHKD	DATE	COUNT	DESCRIPTION OF REVISIONS	BY	CHKD	DATE	
△					△					
△					△					
△					△					

APPLICABLE OUTER CONDUCTOR CRIMPING TOOL : HT303/UM.MSS-T-1(1.5HOLE)



5	BRASS	NICKEL PLATING	9	POLYOLEFIN	HEAT SHRINK TUBING (BLACK)
4	PTFE		8	COPPER	NICKEL PLATING
3	BERYLLIUM COPPER	GOLD PLATING	7	BRASS	NICKEL PLATING
2	PTFE		6	BRASS	NICKEL PLATING
1	BRASS	GOLD PLATING			
NO.	MATERIAL	FINISH, REMARKS	NO.	MATERIAL	FINISH, REMARKS

CODE NO. (OLD)	DRAWN	DESIGNED	CHECKED	APPROVED	RELEASED
CL	<i>H. Sugiyama</i>	<i>T. Katayama</i>	<i>H. Shimizu</i>	<i>I. Mitani</i>	
	'06.09.15	'06.09.15	'06.09.20	'06.09.20	

SCALE	DRAWING NO.	PART NO.
2 : 1	EDC4-130044-40	MRF1.6/5.6-PJ-179U(40)
UNITS	CODE NO.	
mm	CL313-0399-2-40	1/1

HRS HIROSE ELECTRIC CO., LTD.

TO
RF