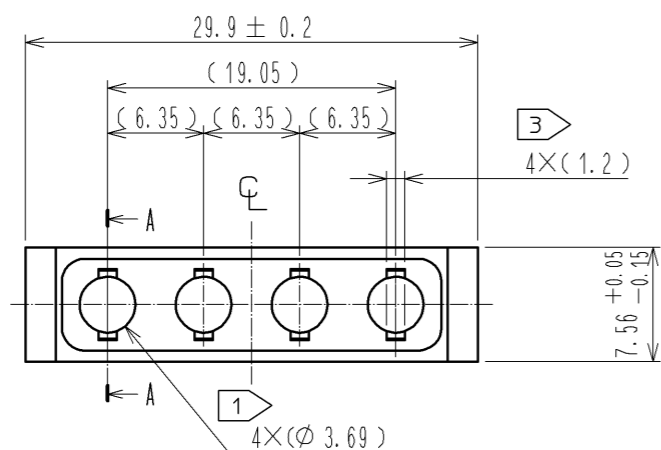
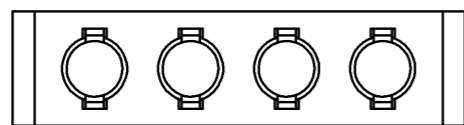
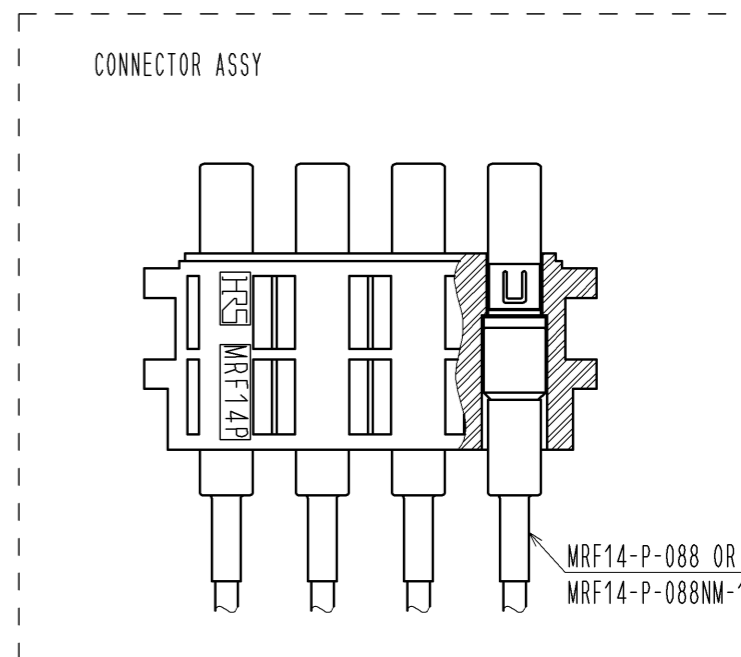
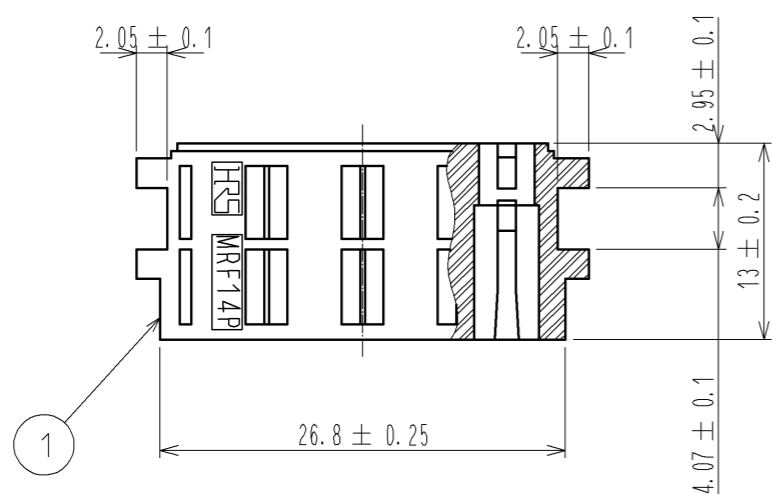
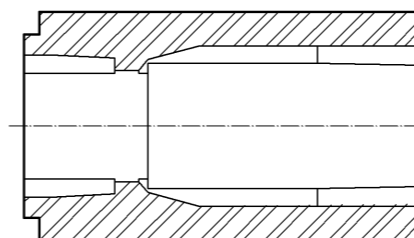


Jan.1.2022 Copyright 2022 HIROSE ELECTRIC CO., LTD. All Rights Reserved.
In case of consideration for using Automotive equipment / device which demand high reliability, kindly contact our sales window correspondents.



A-A(4:1)



HRS DRAWING FOR REFERENCE

- Notes 1 Assemble coaxial connectors MRF14-P-088(CL313-0702-9) or MRF14-P-088NM-1(CL313-0714-8) into holes (4×∅3.69).
2. This product shall be mated MRF14-4J-CH (CL313-0708-5) assembled MRF14-J-088(CL313-0703-1) or MRF14-J-088NM-1(CL313-0715-0) without defects.
- 3 Unmating tool insert this part.

1	PBT	UL94V-0 (WHITE)				
NO.	MATERIAL	FINISH . REMARKS	NO.	MATERIAL	FINISH . REMARKS	
UNITS mm		SCALE 2 : 1		DESCRIPTION OF REVISIONS	DESIGNED	CHECKED DATE
HIROSE ELECTRIC CO., LTD.			APPROVED : MH. YAMANE	12.09.05	DRAWING NO. EDC3-335021-00	
			CHECKED : MH. TSUCHIDA	12.09.05	PART NO. MRF14-4P-CH	
			DESIGNED : TS. KANEKO	12.09.05	CODE NO. CL313-0707-2-00	
			DRAWN : YY. KOBAYASHI	12.09.05		