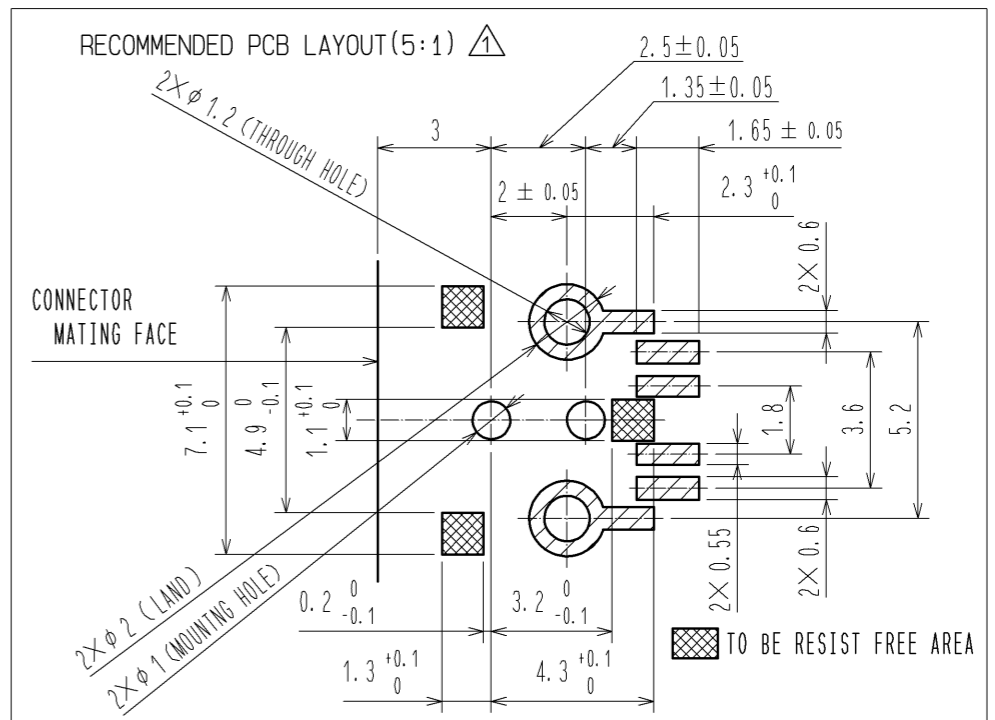
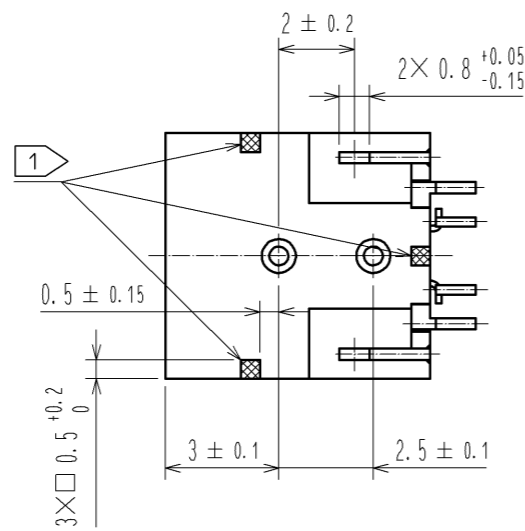
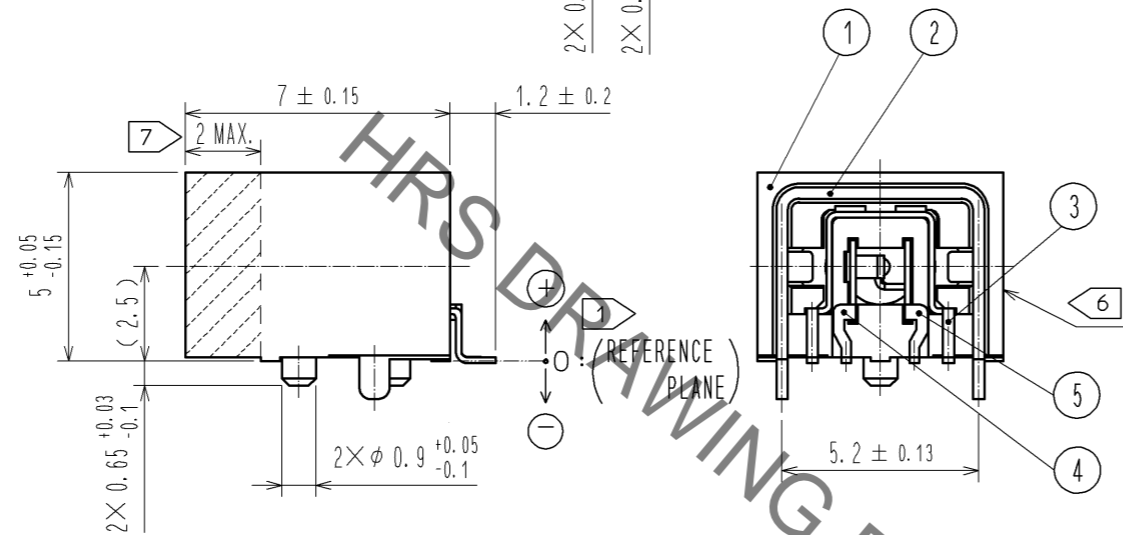
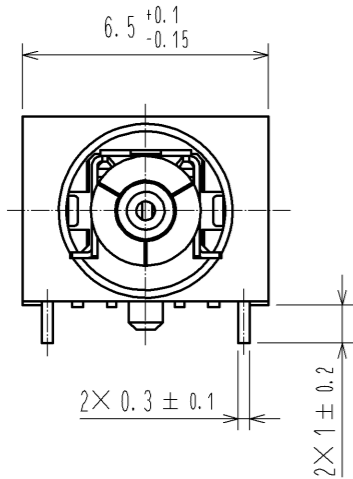
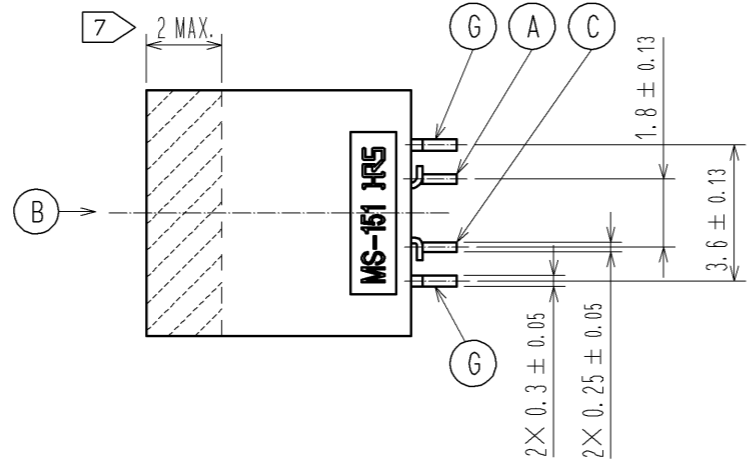
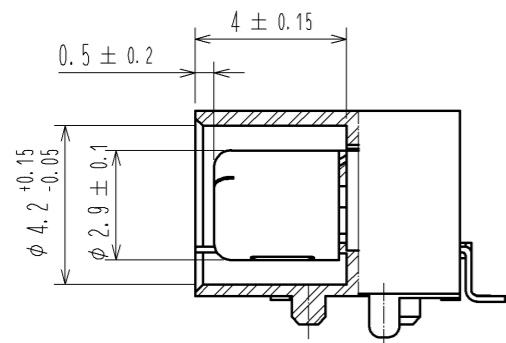


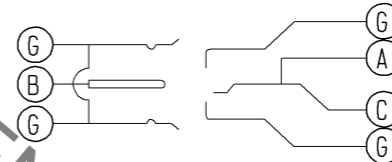
Jan.1.2022 Copyright 2022 HIROSE ELECTRIC CO., LTD. All Rights Reserved.  
 In case of consideration for using Automotive equipment / device which demand high reliability, kindly contact our sales window correspondents.

MATING FACE DIMENSIONS

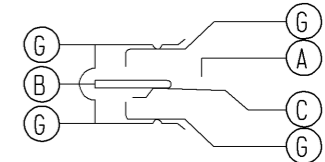


- NOTE 1 IS REFERENCE PLANE FOR PCB MOUNTING.  
 SMT READ COPLANARITY SHALL BE  $-0.05 \begin{smallmatrix} +0.03 \\ -0.07 \end{smallmatrix}$  FOR REFERENCE PLANE.  
 2. USE THIS PRODUCT WITH MS-151-C(LP) AND EQUIVALENT CONTACT MATED.  
 3. COAXIAL SWITCH CIRCUIT SHALL BE AS FOLLOWS.

STATE OF CONTACT NONMATED  
 (N.C.:NORMAL CLOSE)

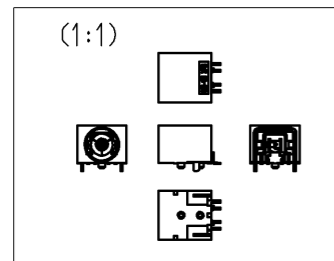
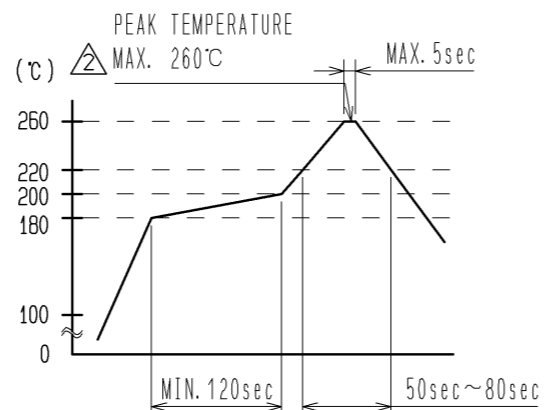


STATE OF CONTACT MATED  
 (N.O.:NORMAL OPEN)



4. THIS PRODUCT IS IMPOSSIBLE TO WASH.  
 5. USE 0.15mm THICK METAL MASK.  
 6 LOT NO. IS MARKED ON THE SPECIFIED SURFACE.  
 7 FIX THE CONNECTOR WITH DEVICE CHASSIS AT THE AREA WITHIN 2mm FROM THE OPENING .

SPECIFIED REFLOW TEMPERATURE PROFILE FOR LEAD-FREE SOLDER

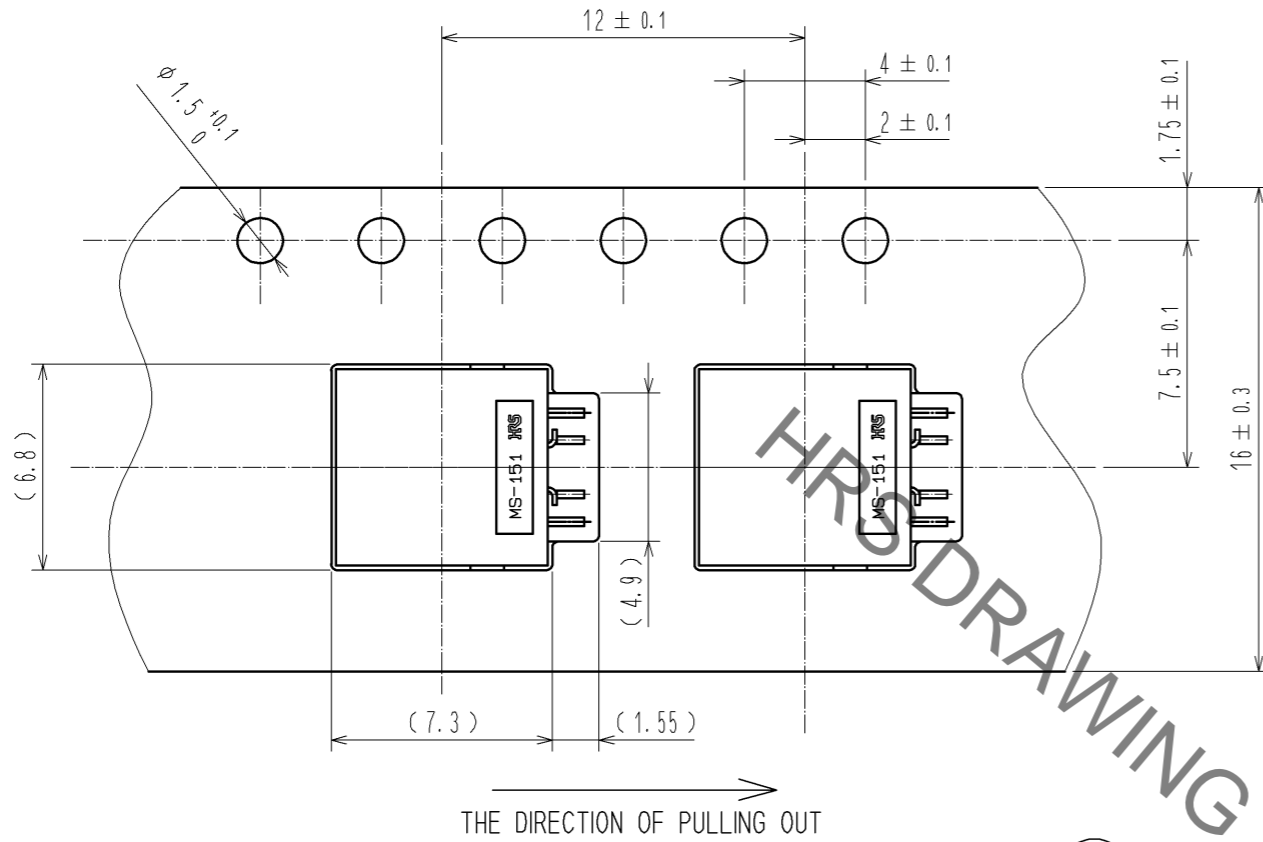


RoHS COMPLIANT HALOGEN FREE COMPLIANT

3	PHOSPHOR BRONZE	SELECTIVE GOLD PLATING	7	PET	
2	STAINLESS STEEL	SELECTIVE GOLD PLATING	6	PS	
1	PA-M		5	PHOSPHOR BRONZE	SELECTIVE GOLD PLATING
			4	BERYLLIUM COPPER	SELECTIVE GOLD PLATING
部番	材 質	処 理 , 備 考	部番	材 質	処 理 , 備 考
UNITS mm		SCALE 5 : 1	△の数 1	訂 正 記 事 DIS-D-003425	設 計 RO. FURUYAMA
<b>HRS</b> HIROSE ELECTRIC CO., LTD.	承 認 : MH. YAMANE 14. 01. 27	検 査 : NK. NINOMIYA 14. 01. 27	設 計 : TS. NAKAGAWA 14. 01. 23	製 図 : TS. NAKAGAWA 14. 01. 23	図番 : EDC3-353753-00
					製品名 : MS-151NB-1
					製品コード : CL358-0345-4-00
					年月日 : 14. 09. 30
					検 査 : NK. NINOMIYA

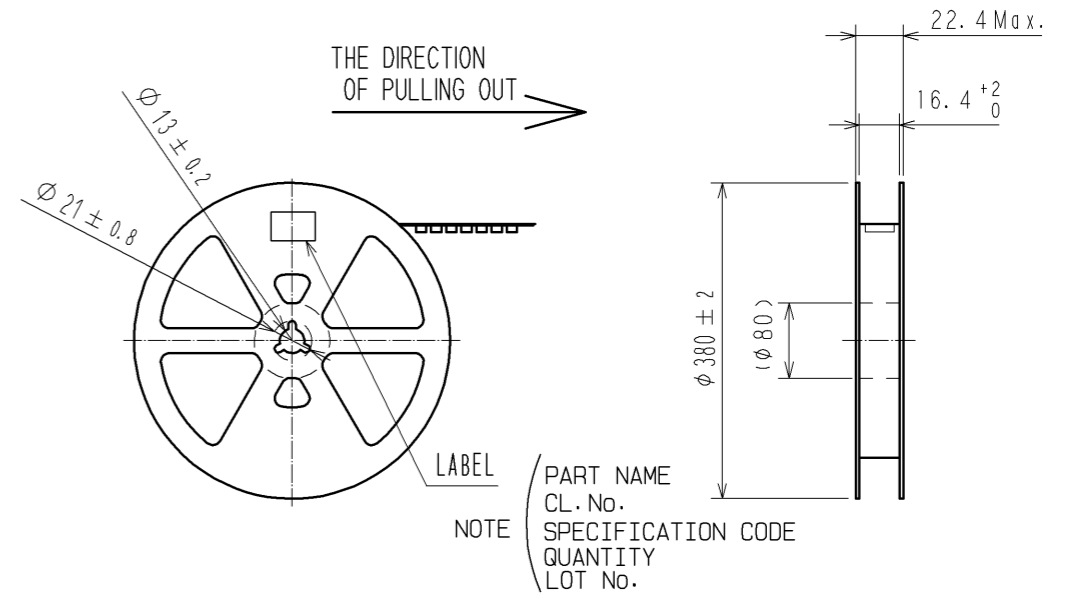
Jan.1.2022 Copyright 2022 HIROSE ELECTRIC CO., LTD. All Rights Reserved.  
In case of consideration for using Automotive equipment / device which demand high reliability, kindly contact our sales window correspondents.

TAPE AND REEL PACKING(4:1)

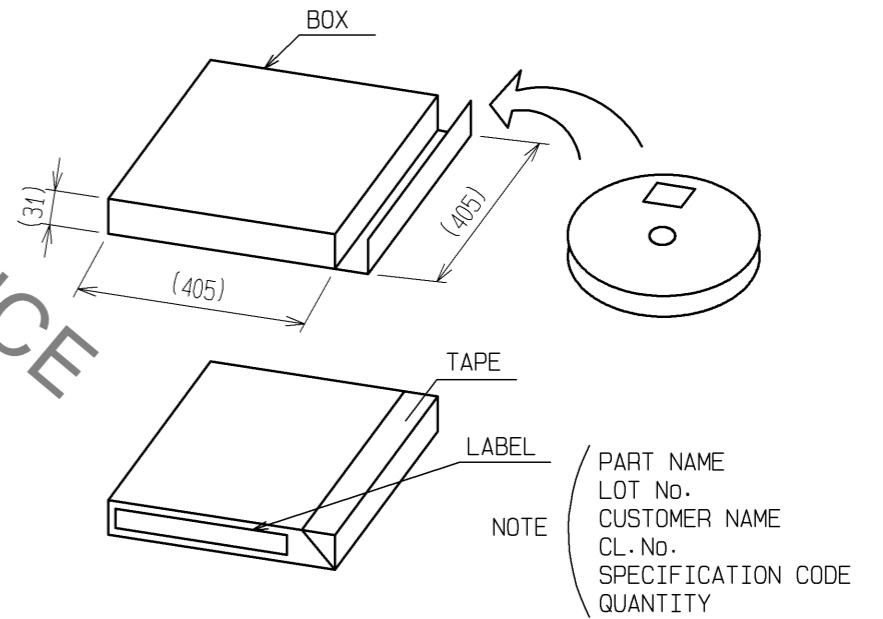


REEL DIMENSIONS (FREE)

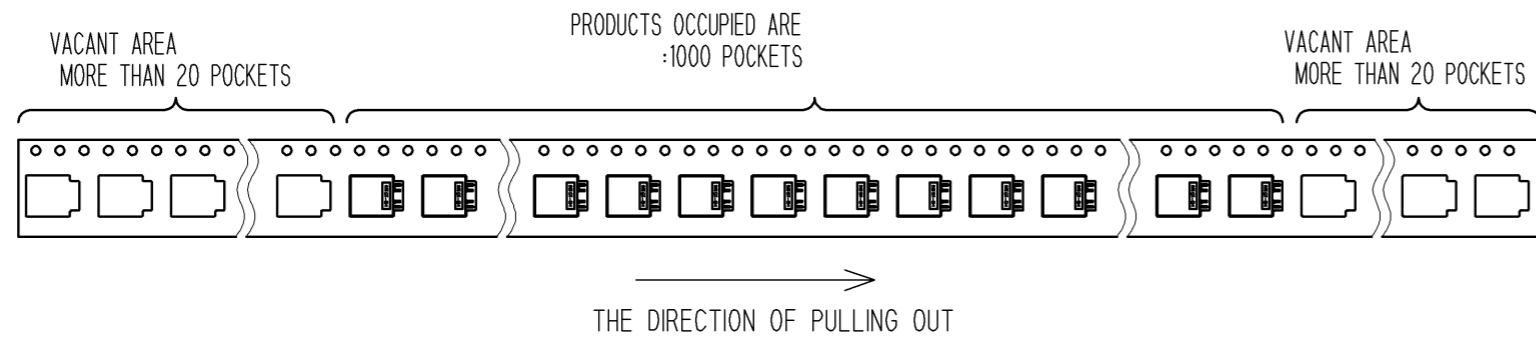
1000 PCS PER REEL



OUTER PACKAGING CASE (FREE)



PACKAGING SPECIFICATION(FREE)



図番:	EDC3-353753-00
製品名:	MS-151NB-1
製品コード:	CL358-0345-4-00

2/2