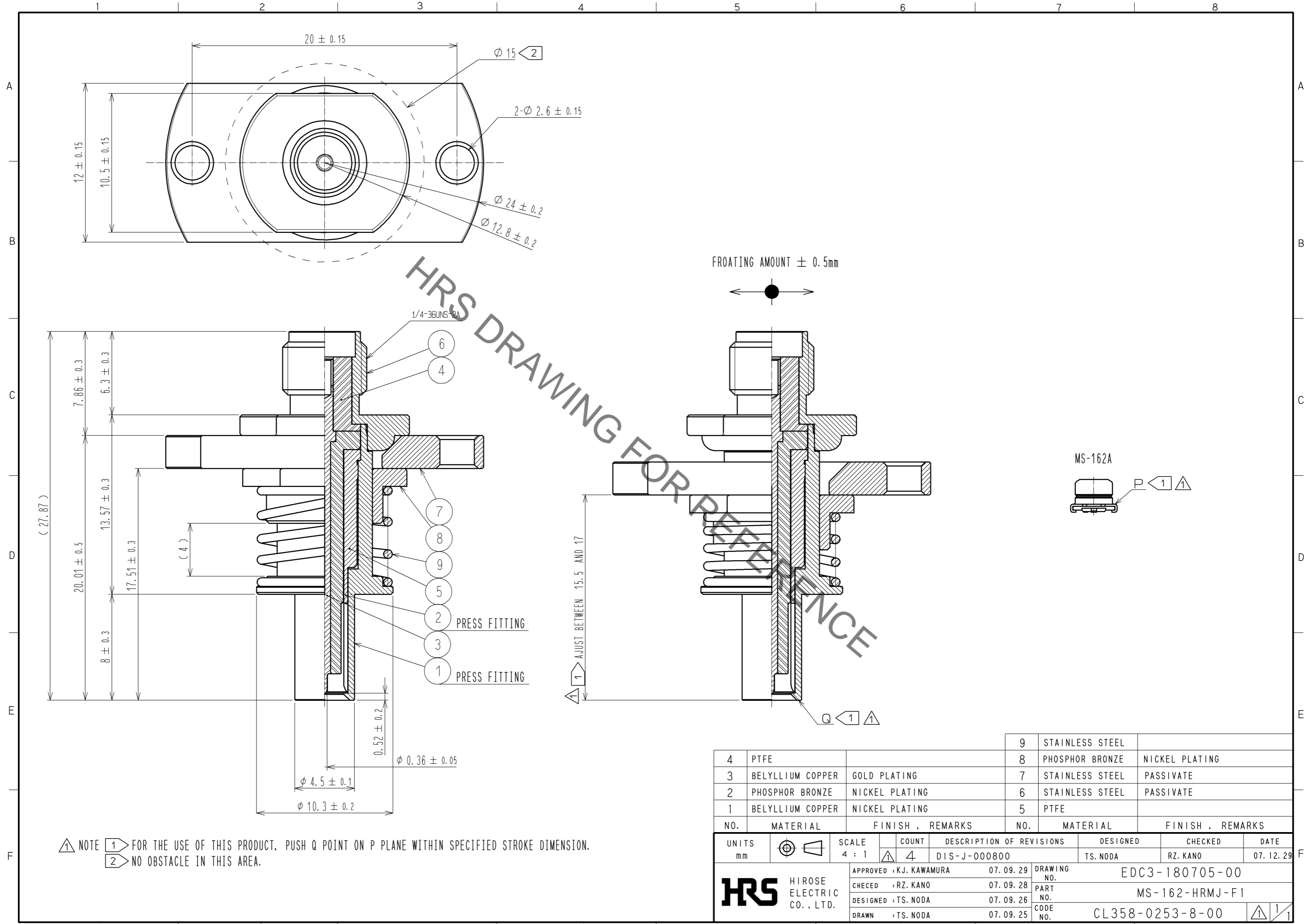


Jan.1.2022 Copyright 2022 HIROSE ELECTRIC CO., LTD. All Rights Reserved.
In case of consideration for using Automotive equipment / device which demand high reliability, kindly contact our sales window correspondents.



NOTE 1 FOR THE USE OF THIS PRODUCT, PUSH Q POINT ON P PLANE WITHIN SPECIFIED STROKE DIMENSION.
2 NO OBSTACLE IN THIS AREA.

NO.	MATERIAL	FINISH . REMARKS	NO.	MATERIAL	FINISH . REMARKS
4	PTFE		9	STAINLESS STEEL	
3	BELYLIIUM COPPER	GOLD PLATING	8	PHOSPHOR BRONZE	NICKEL PLATING
2	PHOSPHOR BRONZE	NICKEL PLATING	7	STAINLESS STEEL	PASSIVATE
1	BELYLIIUM COPPER	NICKEL PLATING	6	STAINLESS STEEL	PASSIVATE
			5	PTFE	

UNITS	SCALE	COUNT	DESCRIPTION OF REVISIONS	DESIGNED	CHECKED	DATE
mm	4 : 1	4	DIS-J-000800	TS. NODA	RZ. KANO	07. 12. 29

APPROVED	DATE	DRAWING NO.
KJ. KAWAMURA	07. 09. 29	EDC3-180705-00
CHECED	DATE	PART NO.
RZ. KANO	07. 09. 28	MS-162-HRMJ-F1
DESIGNED	DATE	CODE NO.
TS. NODA	07. 09. 26	CL358-0253-8-00
DRAWN	DATE	
TS. NODA	07. 09. 25	