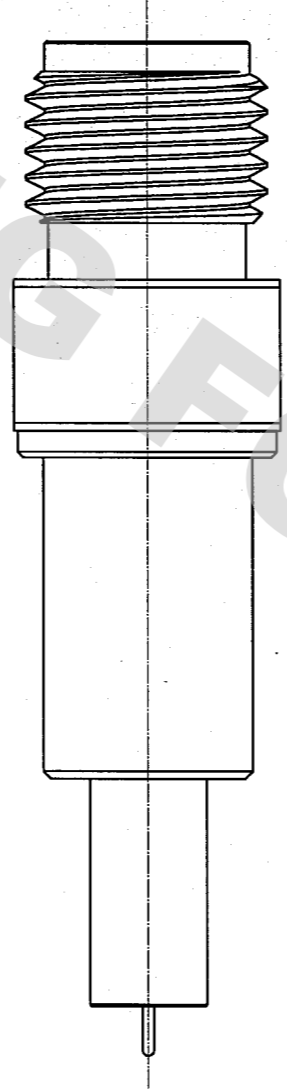
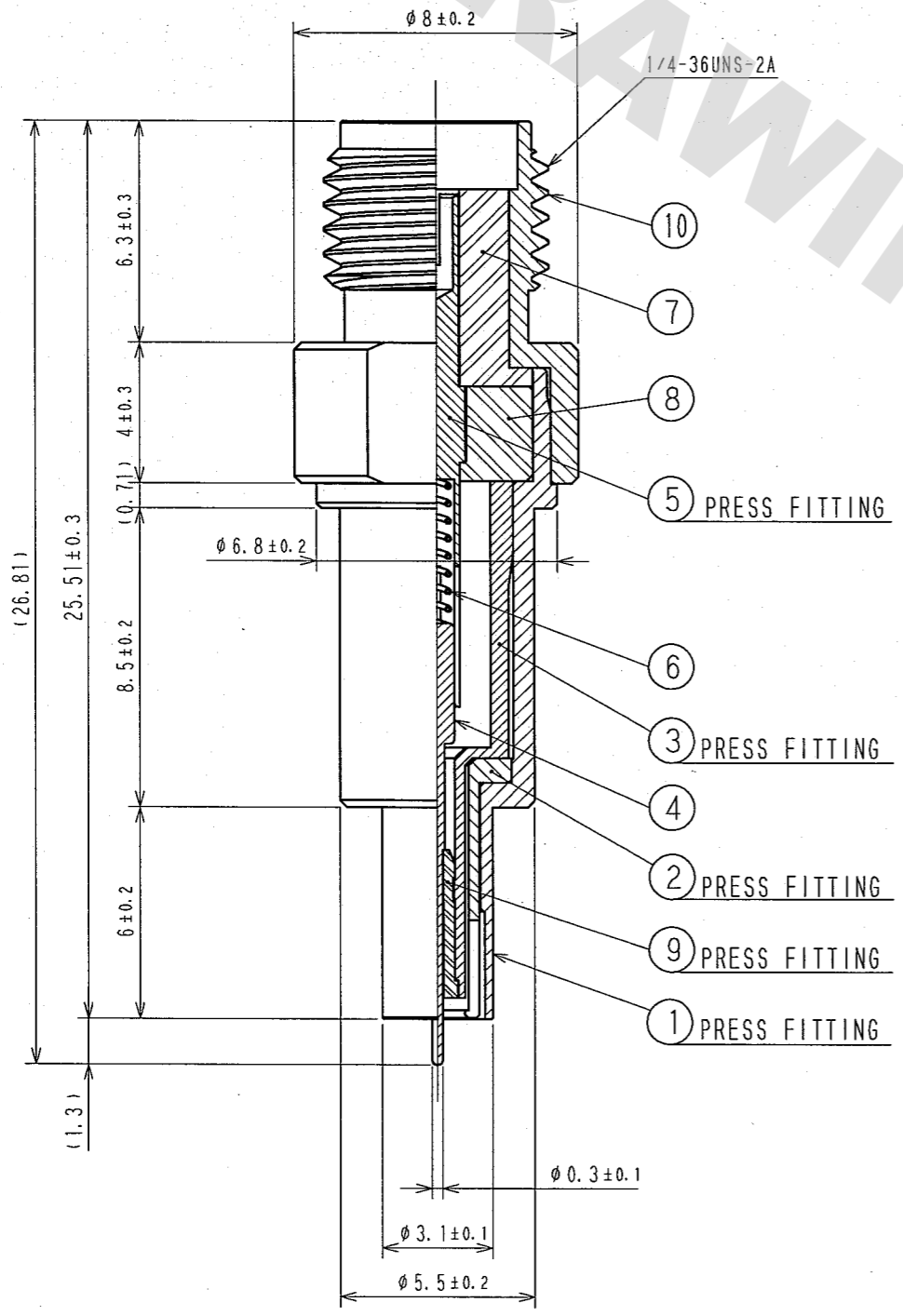
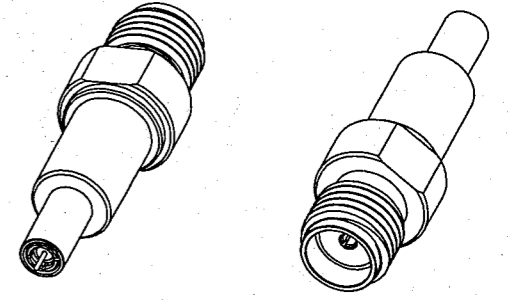
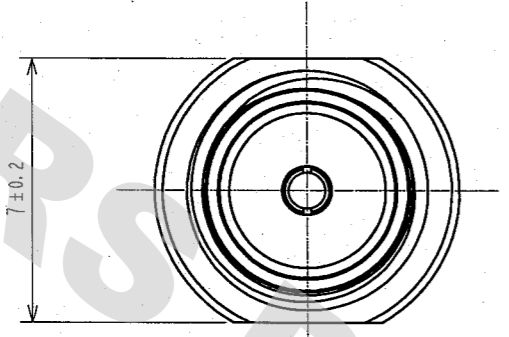


COUNT	DESCRIPTION OF REVISIONS	BY	CHKD	DATE	COUNT	DESCRIPTION OF REVISIONS	BY	CHKD	DATE
△				..	△				..
△				..	△				..
△				..	△				..

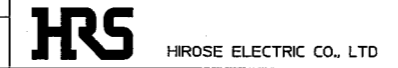


NOTE 1. Use this product in the mated condition with MS-166 (CL358-0229-3).

5	BERYLLIUM COPPER	GOLD PLATING	10	STAINLESS STEEL	PASSIVATE
4	BERYLLIUM COPPER	GOLD PLATING	9	PTFE	
3	PHOSPHOR BRONZE	NICKEL PLATING	8	PTFE	
2	BERYLLIUM COPPER	GOLD PLATING	7	PTFE	
1	STAINLESS STEEL	PASSIVATE	6	STAINLESS STEEL	GOLD PLATING
NO.	MATERIAL	FINISH, REMARKS	NO.	MATERIAL	FINISH, REMARKS

CODE NO.(OLD)	DRAWN	DESIGNED	CHECKED	APPROVED	RELEASED
	T. NAKAGAWA	T. NAKAGAWA	<i>T. Nakagawa</i>	<i>T. Nakagawa</i>	..
	'06.12.01	'06.12.01	'06.12.04	'06.12.07	

SCALE	DRAWING NO.	PART NO.
5 : 1	EDC3-180650	MS-166-HRMJ-H1
UNITS	CODE NO.	
mm	CL358-0241-9	1/1



DRAWING FOR REFERENCE: This is subject to change without notice
08/11/2012

TO
RFD