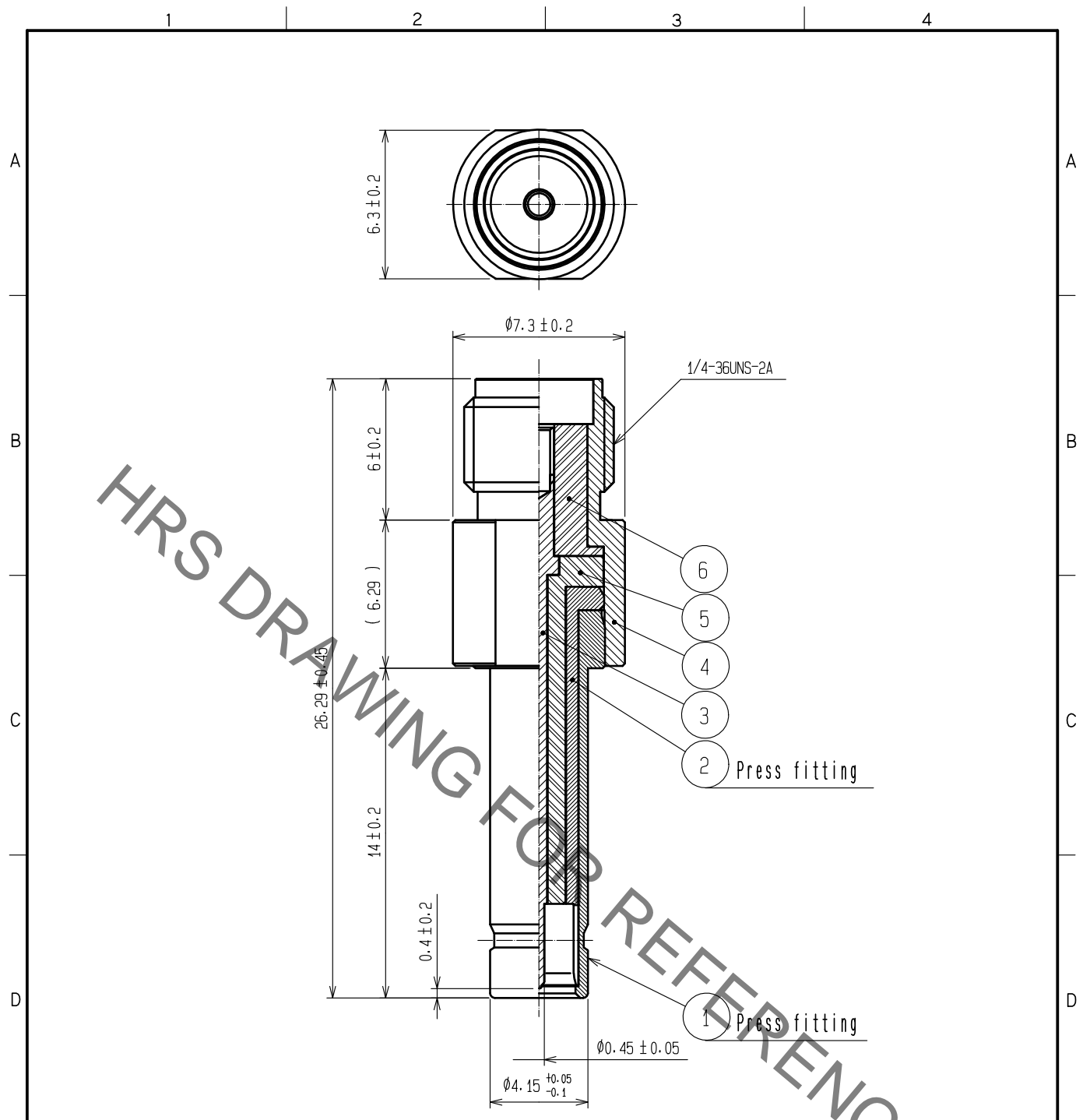


Jan.1.2022 Copyright 2022 HIROSE ELECTRIC CO., LTD. All Rights Reserved.  
In case of consideration for using Automotive equipment / device which demand high reliability, kindly contact our sales window correspondents.



Note 1. This plug is checking purpose only.

2. This plug is adapt for MS-151NB-1.

3	Beryllium copper	Nickel plating	6	PTFE			
2	Phosphor bronze	Nickel plating	5	PTFE			
1	Stainless steel	Nickel plating	4	Stainless steel	Passivate		
NO.	MATERIAL	FINISH . REMARKS	NO.	MATERIAL	FINISH . REMARKS		
UNITS mm		SCALE 4 : 1	COUNT 	DESCRIPTION OF REVISIONS	DESIGNED	CHECKED	DATE
HIROSE ELECTRIC CO., LTD.		APPROVED : NK. NINOMIYA	16.11.10	DRAWING NO.	EDC-180230-00-00		
		CHECKED : NK. NINOMIYA	16.11.10	PART NO.	MS151P-HRMJ-1		
		DESIGNED : DS. YAMAKOSHI	16.11.10	CODE NO.	CL355-0090-6-00		
		DRAWN : DS. YAMAKOSHI	16.11.10		1/1		