

MS SERIES

WRAS APPROVED



The MS series of cable end float switches are designed for controlling levels in large tanks, cisterns or reservoirs and can be directly installed on submersible pumps.

The casing is manufactured in blow moulded Polyethylene (PEHD), with 5m cable with protective earth conductor as standard. The switching element is a microswitch, with UL, VDE and CENELEC approvals, activated by a moving stainless steel ball and having an electrical life of 200,000 operations. Non hygroscopic closed cell expanded polyurethane is injected around the switch housing within the outer casing, hermetically sealing the unit.

These switches are capable of working down to 100 metres depth in water.

Features

- Direct power switching
- Cable mounting
- WRAS Approved
- 100 metre depth capability

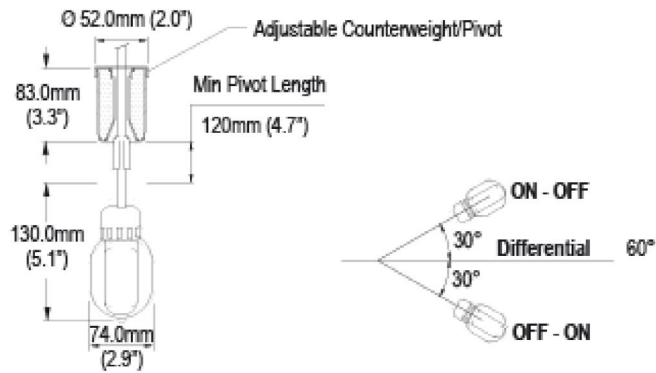
SPECIFICATIONS

Technical

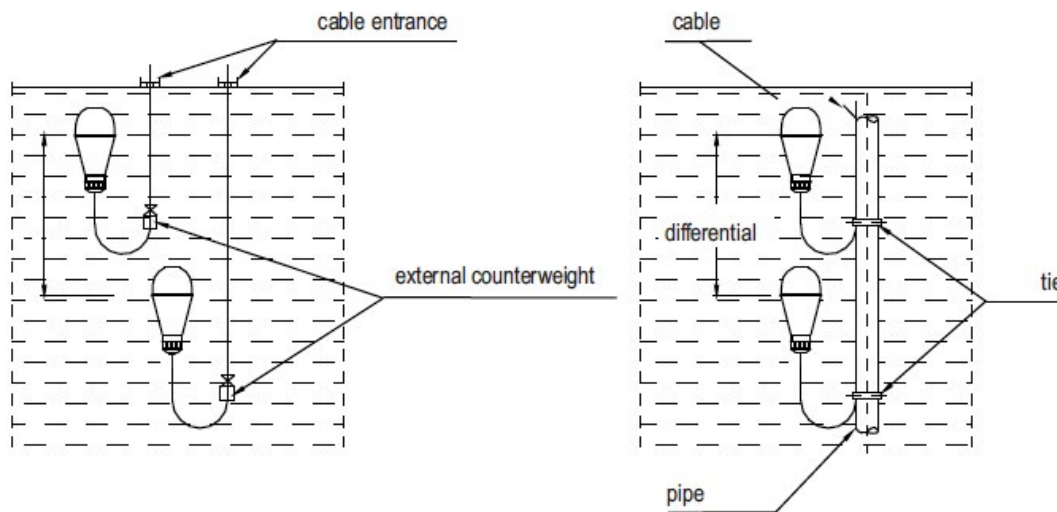
		MS10AW	MS10BW	MS10CW	MS20AW	MS20BW	MS20CW
Contact Form		N/O	N/C	C/O	N/O	N/C	C/O
Switching Current Max. Resistive		10A	10A	10A	10A	10A	10A
Switching Current Max. Inductive	AC	4A	4A	4A	8A	8A	8A
	DC	1A	1A	1A	2A	2A	2A
Power Rating Max	AC VA	750	750	750	1500	1500	1500
	DC W	24	24	24	48	48	48
Switching Voltage Max	AC V	250					
	DC V	24					
Cable Material		WRAS approved					
Cable Length		5m with protective earth wire included					
Body Material		High Density Polyethylene					
Temp. Range	°C	0/ +45 (WRAS approved for use up to +23 °C)					
	°F	+32 / +113					
Max. Working Pressure	Bar	10					

DIMENSIONS

All dimensions are in millimeters.



INSTALLATION



Wiring Detail

Contact Form	Contact Type	Wires	
A	Normally open	Brown/Black	
B	Normally closed	Brown/Blue	
C	Changeover	Brown/Black	Normally Open
		Brown/Blue	Normally Closed

Note. "Normally" means "No Liquid Present"