

# Media Distribution Data Hub

## specifications

Data hub shall deliver media and data service to up to six different locations. Data hub shall offer Category 6 or 5e performance to support applications that require additional bandwidth. Data hub shall offer 110 punchdown terminations for high-performance capability. Punchdowns shall also be positioned on front of hub for easy access to terminations within the enclosure. Data hub shall offer stackability to enable expansion within the enclosure with quick installation features for easy moves, adds, and changes.



## technical information

<b>Mounting:</b>	Snaps onto custom 1-inch grid pattern within the enclosure and allows stackability for greater expansion density
<b>Compliance:</b>	1RoHS, ANSI/TIA 570-B Residential Wiring Standard, cULus, and UL

## key features and benefits

<b>Multi-media patching</b>	Patches the router/switch to deliver media and data service to different locations offering convenience and system flexibility
<b>Category 6 or Category 5e performance</b>	Enables multimedia capabilities for voice and data that require additional bandwidth
<b>Front 110 punchdown</b>	Designed with front-side 110 punchdown terminations in a protected PCB module that allows for fast and effective terminations and easy access to high-performance connections within the enclosure
<b>Cable mounts</b>	Secure cables connected to hub for management and organization within the enclosure
<b>Stackability</b>	Mounts on top of one another to maximize enclosure space and offer easy expansion for additional drops
<b>Snap-in installation</b>	Snaps directly onto custom 1-inch grid pattern to simplify installations and allow easy moves, adds, and changes

## applications

The Panduit Media Distribution System is a complete structured cabling solution for residential and commercial deployments that cost-effectively delivers emerging communication and video entertainment connectivity into individual location enclosures. Using customizable and stackable hubs installed within the enclosure, the media distribution system provides voice, video and data applications (commonly referred to as triple-play services) throughout a home or office.

Modularity with Panduit products allows the Media Distribution System to service an entire network infrastructure from the building demarcation point to the end user's network outlet.

The Media Distribution Data Hubs deliver patching of multimedia capabilities to over six different locations within a residence or small business, using front-side 110 punchdown terminations for high performance connectivity.

### Data Hub

<b>Category 6:</b>	MS66PP
<b>Category 5e:</b>	MS5E6PP

### Advanced System Enclosures

(Base and hinged door sold separately.)

<b>14" base:</b>	MS14B
<b>24" base</b>	MS24B
<b>14" hinged door with frame:</b>	MS14HD
<b>24" hinged door with frame:</b>	MS24HD
<b>14" frameless hinged door:</b>	MS14BHD
<b>24" frameless hinged door:</b>	MS24BHD

### Basic System Enclosures

(Includes base and screw down door.)

<b>14":</b>	MSB14E
<b>24":</b>	MSB24E

### Voice (Phone) Hubs

<b>Distribution hub:</b>	MS8PD
<b>Expansion hub:</b>	MS8PE

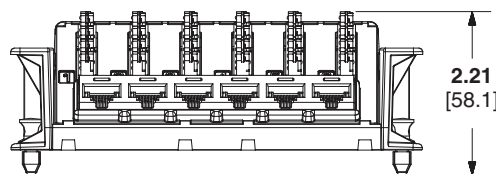
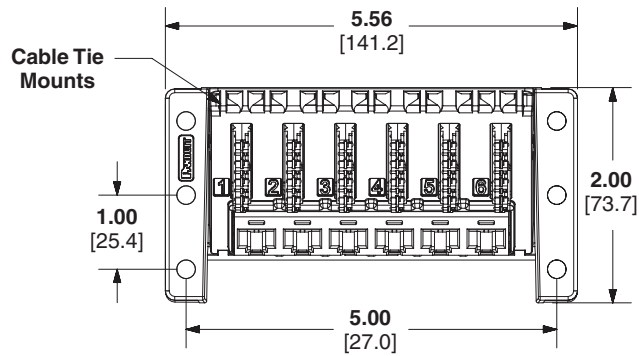
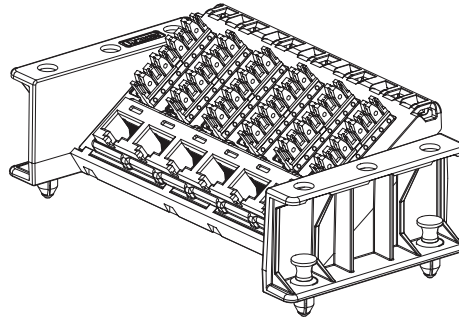
### Video Splitters

<b>1 x 4 passive 1GHz:</b>	MS4S1G
<b>1 x 8 passive 1GHz:</b>	MS8S1G
<b>1 x 4 passive 2GHz:</b>	MS4S2G
<b>1 x 8 passive 2GHz:</b>	MS8S2G

### Accessories

<b>Equipment bracket:</b>	MSEBRKT
<b>Modular patch panel:</b>	MS8PP
<b>Cable management ring:</b>	MSCMR
<b>Cable management kit:</b>	MSCM-KIT
<b>Grounding kit:</b>	MSGRD-KIT
<b>Lock for frameless hinged door:</b>	MSCLK

# Media Distribution Data Hub



Dimensions are in inches. [Dimensions in brackets are metric].

## WORLDWIDE SUBSIDIARIES AND SALES OFFICES

PANDUIT CANADA  
Markham, Ontario  
cs-cdn@panduit.com  
Phone: 800.777.3300

PANDUIT EUROPE LTD.  
London, UK  
cs-emea@panduit.com  
Phone: 44.20.8601.7200

PANDUIT SINGAPORE PTE. LTD.  
Republic of Singapore  
cs-ap@panduit.com  
Phone: 65.6305.7575

PANDUIT JAPAN  
Tokyo, Japan  
cs-japan@panduit.com  
Phone: 81.3.6863.6000

PANDUIT LATIN AMERICA  
Guadalajara, Mexico  
cs-la@panduit.com  
Phone: 52.33.3777.6000

PANDUIT AUSTRALIA PTY. LTD.  
Victoria, Australia  
cs-aus@panduit.com  
Phone: 61.3.9794.9020

For a copy of Panduit product warranties, log on to [www.panduit.com/warranty](http://www.panduit.com/warranty)

For more information

Visit us at [www.panduit.com](http://www.panduit.com)

Contact Customer Service by email: [cs@panduit.com](mailto:cs@panduit.com)  
or by phone: 800.777.3300

**PANDUIT**<sup>®</sup>

©2014 Panduit Corp.  
ALL RIGHTS RESERVED.  
OTSP37--WW-ENG  
Replaces WW-OTSP08  
3/2014