

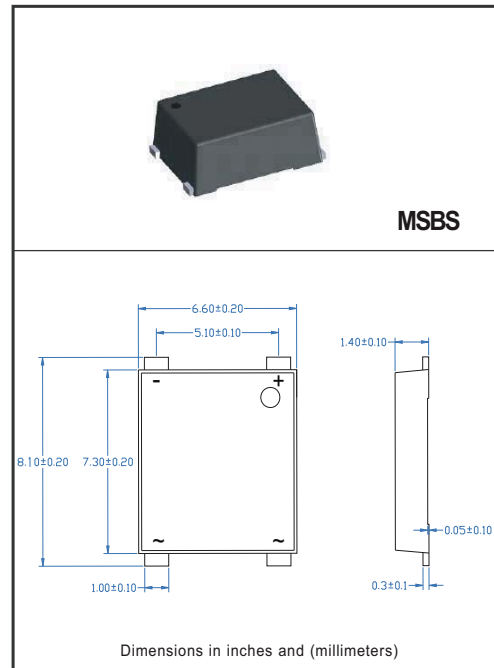
**SINGLE-PHASE GLASS PASSIVATED  
SILICON BRIDGE RECTIFIER**  
VOLTAGE RANGE 50 to 1000 Volts CURRENT 4.0 Ampere

**FEATURES**

- \* Good for automation insertion
- \* Ideal for printed circuit board
- \* Reliable low cost construction utilizing molded
- \* Glass passivated device
- \* Mounting position: Any

**MECHANICAL DATA**

- \* UL listed the recognized component directory, file #E94233
- \* Epoxy: Device has UL flammability classification 94V-O
- \* Halogen-free



**MAXIMUM RATINGS AND ELECTRICAL CHARACTERISTICS**

Ratings at 25 °C ambient temperature unless otherwise specified.  
resistive or inductive load.

**MAXIMUM RATINGS** (At  $T_A = 25^\circ\text{C}$  unless otherwise noted)

| RATINGS   | SYMBOL          | MSB401S      | MSB402S | MSB403S | MSB404S | MSB405S | MSB406S | MSB407S | UNITS                     |
|---|-----------------|--------------|---------|---------|---------|---------|---------|---------|---------------------------|
| Maximum Recurrent Peak Reverse Voltage  | $V_{RRM}$       | 50           | 100     | 200     | 400     | 600     | 800     | 1000    | Volts                     |
| Maximum RMS Bridge Input Voltage  | $V_{RMS}$       | 35           | 70      | 140     | 280     | 420     | 560     | 700     | Volts                     |
| Maximum DC Blocking Voltage   | $V_{DC}$        | 50           | 100     | 200     | 400     | 600     | 800     | 1000    | Volts                     |
| Maximum Average Forward Output Current at $T_C = 110^\circ\text{C}$                               | $I_O$           | 4.0          |         |         |         |         |         |         | Amps                      |
| Peak Forward Surge Current 8.3 ms single half sine-wave superimposed on rated load (JEDEC method) | $I_{FSM}$       | 120          |         |         |         |         |         |         | Amps                      |
| Typical Current Squared Time  | $I^2t$          | 59.76        |         |         |         |         |         |         | $\text{A}^2\text{S}$      |
| Typical Thermal Resistance (Note 2)   | $R_{\theta JA}$ | 55           |         |         |         |         |         |         | $^\circ\text{C}/\text{W}$ |
|   | $R_{\theta JL}$ | 15           |         |         |         |         |         |         |                           |
| Operating and Storage Temperature Range   | $T_J, T_{STG}$  | -55 to + 150 |         |         |         |         |         |         | $^\circ\text{C}$          |

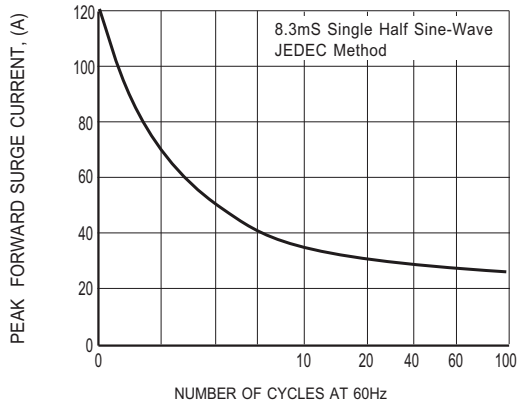
**ELECTRICAL CHARACTERISTICS** (At  $T_A = 25^\circ\text{C}$  unless otherwise noted)

| CHARACTERISTICS  | SYMBOL | MSB401S | MSB402S | MSB403S | MSB404S | MSB405S | MSB406S | MSB407S | UNITS            |
|--|--------|---------|---------|---------|---------|---------|---------|---------|------------------|
| Maximum Forward Voltage Drop per Bridge Element at 4.0A DC       | $V_F$  | 1.1     |         |         |         |         |         |         | Volts            |
| Maximum Reverse Current at Rated DC Blocking Voltage per element | $I_R$  | 1.0     |         |         |         |         |         |         | $\mu\text{Amps}$ |
|  |        | 500     |         |         |         |         |         |         | $\mu\text{Amps}$ |

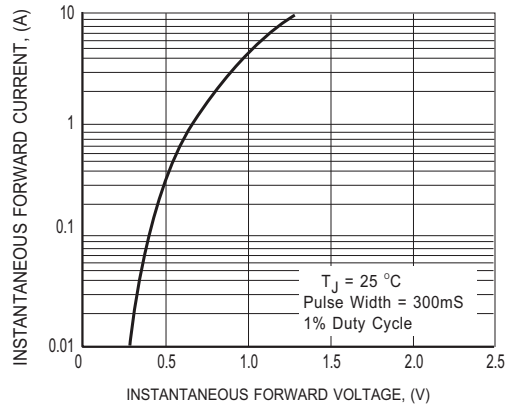
Note: 1. "Fully ROHS compliant", "100% Sn plating(Pb-free).  
2. Thermal Resistance: Mounted on PCB.

2016-08  
REV:A

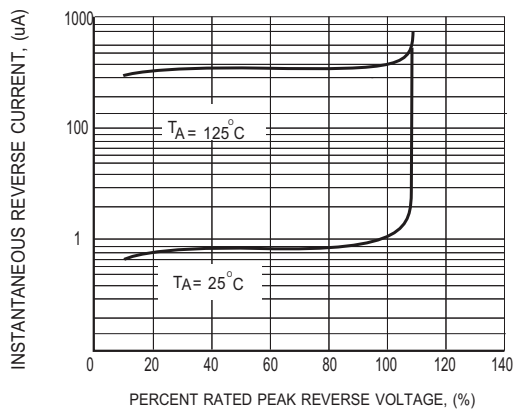
## RATING AND CHARACTERISTICS CURVES ( MSB401S THRU MSB407S )



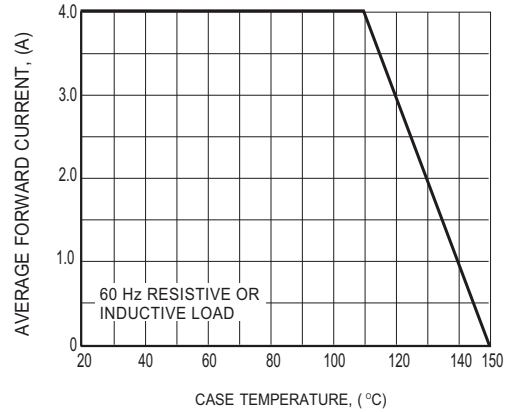
**FIG. 1 - MAXIMUM NON-REPETITIVE FORWARD SURGE CURRENT**



**FIG. 2 TYPICAL INSTANTANEOUS FORWARD CHARACTERISTICS**



**FIG. 3 MAXIMUM REVERSE CHARACTERISTICS**



**FIG. 4 TYPICAL FORWARD CURRENT DERATING CURVE**

## REEL TAPING SPECIFICATIONS FOR SURFACE MOUNT DEVICES - MSBS

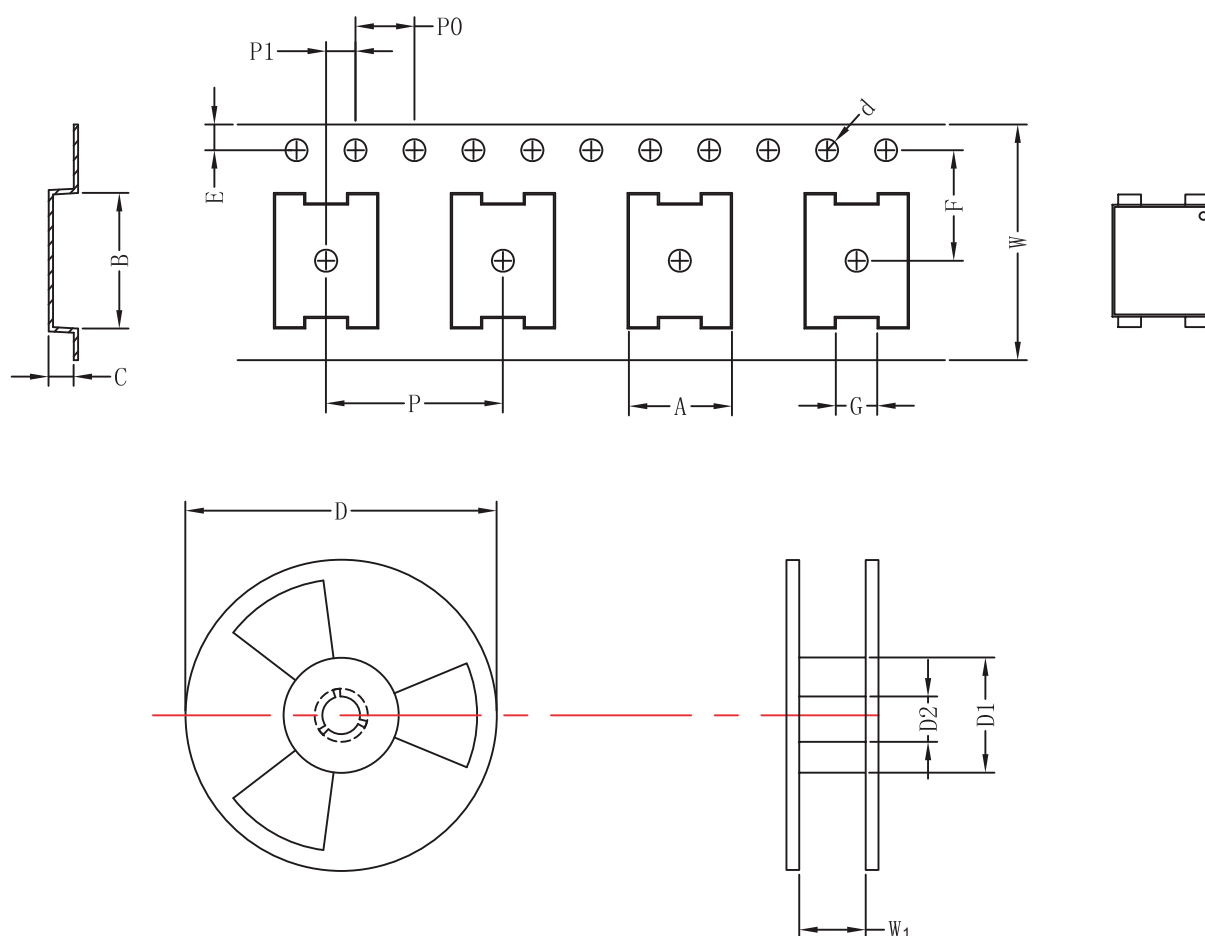


Fig.: Configuration of MSBS REEL TAPING

| ITEM                   | SYMBOL | SPECIFICATIONS (mm) | SPECIFICATIONS (inch) |
|------------------------|--------|---------------------|-----------------------|
| Carrier width          | A      | $0.69 \pm 0.1$      | $0.272 \pm 0.004$     |
| Carrier length         | B      | $7.60 \pm 0.1$      | $0.299 \pm 0.004$     |
| Carrier depth          | C      | $1.70 \pm 0.1$      | $0.067 \pm 0.004$     |
| Sprocket hole          | d      | $1.50 \pm 0.1$      | $0.059 \pm 0.004$     |
| Reel outside diameter  | D      | $330.0 \pm 2.0$     | $12.992 \pm 0.079$    |
| Reel inner diameter    | D1     | $16.4 \pm 2.0$      | $0.646 \pm 0.079$     |
| Feed hole diameter     | D2     | $13.0 \pm 0.2$      | $0.512 \pm 0.008$     |
| Sprocket hole position | E      | $1.75 \pm 0.1$      | $0.069 \pm 0.004$     |
| Punch hole position    | F      | $7.5 \pm 0.1$       | $0.295 \pm 0.004$     |
| Punch hole pitch       | P      | $12.0 \pm 0.1$      | $0.472 \pm 0.004$     |
| Sprocket hole pitch    | P0     | $4.0 \pm 0.1$       | $0.157 \pm 0.004$     |
| Embossment center      | P1     | $2.0 \pm 0.1$       | $0.079 \pm 0.004$     |
| Tape width             | W      | $16.0 \pm 0.3$      | $0.63 \pm 0.012$      |
| Reel width             | W1     | $22.4 \pm 1.0$      | $0.882 \pm 0.039$     |

## PACKAGING OF DIODE AND BRIDGE RECTIFIERS

### REEL PACK

| PACKAGE | PACKING CODE | EA PER REEL | EA PER INNER BOX | COMPONENT SPACE (mm) | TAPE SPACE (mm) | REEL DIA (mm) | CARTON SIZE (mm) | EA PER CARTON | GROSS WEIGHT(Kg) |
|---------|--------------|-------------|------------------|----------------------|-----------------|---------------|------------------|---------------|------------------|
| MSBS    | -T           | 3,000       | 3,000            | 9.5                  | 52              | 330           | 360*355*360      | 24,000        | 9.0              |

