

MSS20-xxx-x Series



Zero Bias Schottky Diodes

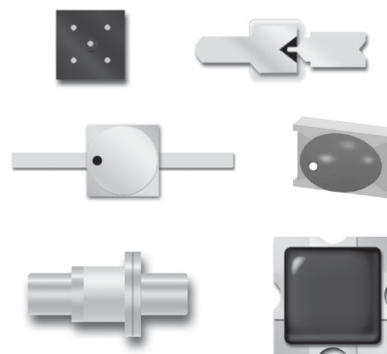
Rev. V4

Features

- Very Low 1/f Noise
- Detector Applications up to 40 GHz
- Chip Beam Lead and Packaged Devices

Description

The MSS20-xxx-x Series of Schottky diodes is fabricated on P-Type epitaxial substrates for superior 1/f noise performance in microwave 0-bias detector applications up to 40 GHz.



Chip & Beam Lead Electrical Specifications: $T_A = 25^\circ\text{C}$

Model	Outline	Frequency	Junction Capacitance (C_J)	Tangential Signal Sensitivity (T_{SS})	Video Resistance (R_V)		Voltage Sensitivity (γ)
		GHz	pF	dBm	Ω		mV / mW
		Max.	Max.	Typ.	Min.	Max.	Typ.
Chip							
MSS20-046-	C15	18	0.10	-58	1000	2000	5000
MSS20-047-		18	0.10	-59	2000	6000	8000
MSS20-050-		12	0.15	-58	1000	2000	5000
MSS20-051-		12	0.15	-59	2000	6000	8000
MSS20-054-		8	0.20	-58	1000	2000	5000
MSS20-055-		8	0.20	-59	2000	6000	8000
Beam Lead							
MSS20-140-	B10D	40	0.08	-58	1000	2000	5000
MSS20-141-		40	0.08	-59	2000	6000	8000
MSS20-142-		26	0.10	-58	1000	2000	5000
MSS20-143-		26	0.10	-59	2000	6000	8000
MSS20-145-		18	0.12	-58	1000	2000	5000
MSS20-146-		18	0.12	-59	2000	6000	8000
Test Conditions			$f = 1 \text{ MHz,}$ $V_R = 0 \text{ V}$	$f = 10 \text{ GHz,}$ $NF = 3 \text{ dB}$	$P_{IN} = -30 \text{ dBm}$ Video BW = 500 KHz		$R_L = 1 \text{ M}\Omega$

Zero Bias Schottky Diodes

Rev. V4

Packaged Electrical Specifications: $T_A = 25^\circ\text{C}$, $V_{BR} = 0.8\text{ V min @ }100\ \mu\text{A}$

Model	Outline	Frequency	Total Capacitance (C_T)		Tangential Signal Sensitivity (T_{SS})	Video Resistance (R_V)		Voltage Sensitivity (Υ)
			pF		dBm	Ω		mV / mW
			Typ.	Max.	Typ.	Typ.	Max.	Typ.
MSS20-046-	0805-2	20	0.14	0.20	-58	1500	2000	5000
	E25	18	0.15	0.20				
	E28 / E28X	18	0.16	0.20				
	H27	18	0.20	0.25				
	T86	12	0.26	0.31				
MSS20-047-	0805-2	20	0.14	0.20	-59	4000	6000	8000
	E25	18	0.15	0.20				
	E28 / E28X	18	0.16	0.20				
	H27	18	0.20	0.25				
	T86	12	0.26	0.31				
MSS20-050-	0805-2	18	0.18	0.25	-58	1500	2000	5000
	E25	12	0.20	0.25				
	E28 / E28X	12	0.21	0.25				
	H27	12	0.24	0.30				
	T86	12	0.30	0.36				
MSS20-051-	0805-2	18	0.18	0.25	-59	4000	6000	8000
	E25	12	0.20	0.25				
	E28 / E28X	12	0.21	0.25				
	H27	12	0.24	0.30				
	T86	12	0.30	0.36				
MSS20-054-	0805-2	12	0.24	0.30	-58	1500	2000	5000
	E25	8	0.25	0.30				
	E28 / E28X	8	0.26	0.30				
	H27	8	0.30	0.35				
	T86	8	0.36	0.41				
MSS20-055-	0805-2	12	0.24	0.30	-59	4000	6000	8000
	E25	8	0.25	0.30				
	E28 / E28X	8	0.26	0.30				
	H27	8	0.30	0.35				
	T86	8	0.36	0.41				
Test Conditions			f = 1 MHz, $V_R = 0.5\text{ V}$		f = 10 GHz, $P_{IN} = -30\text{ dBm}$, $R_L = 1\text{ m}\Omega$, Video BW = 500 KHz, NF = 3 dB			

2

MACOM Technology Solutions Inc. (MACOM) and its affiliates reserve the right to make changes to the product(s) or information contained herein without notice. Visit www.macom.com for additional data sheets and product information.

For further information and support please visit:
<https://www.macom.com/support>

DC-0011413

Zero Bias Schottky Diodes

Rev. V4

Packaged Electrical Specifications: $T_A = 25^\circ\text{C}$, $V_{BR} = 0.8\text{ V min @ } 100\ \mu\text{A}$

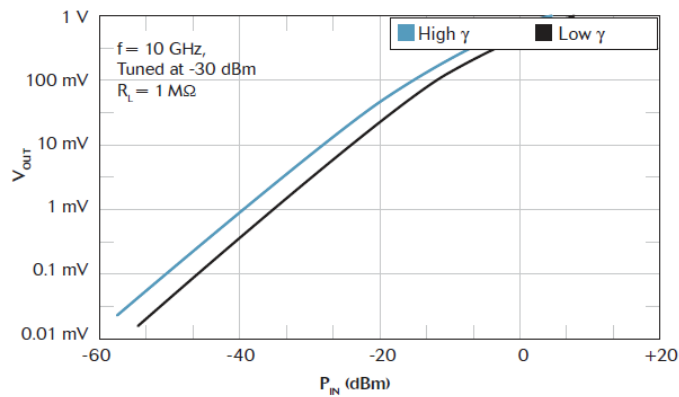
Model	Outline	Frequency	Total Capacitance (C_T)		Tangential Signal Sensitivity (T_{SS})	Video Resistance (R_V)		Voltage Sensitivity (γ)
		GHz	pF		dBm	Ω		mV / mW
		Max.	Typ.	Max.	Typ.	Typ.	Max.	Typ.
MSS20-140-	0402	26	0.12	0.15	-58	1500	2000	5000
MSS20-141-		26	0.12	0.15	-59	4000	6000	8000
MSS20-142-		20	0.15	0.18	-58	1500	2000	5000
MSS20-143-		20	0.15	0.18	-59	4000	6000	8000
MSS20-144-		18	0.18	0.20	-58	1500	2000	5000
MSS20-145-		18	0.18	0.20	-59	4000	6000	8000
Test Conditions				f = 1 MHz, $V_R = 0.5\text{ V}$		f = 10 GHz, $P_{IN} = -30\text{ dBm}$, $R_L = 1\text{ m}\Omega$, Video BW = 500 KHz, NF = 3 dB		

Absolute Maximum Ratings

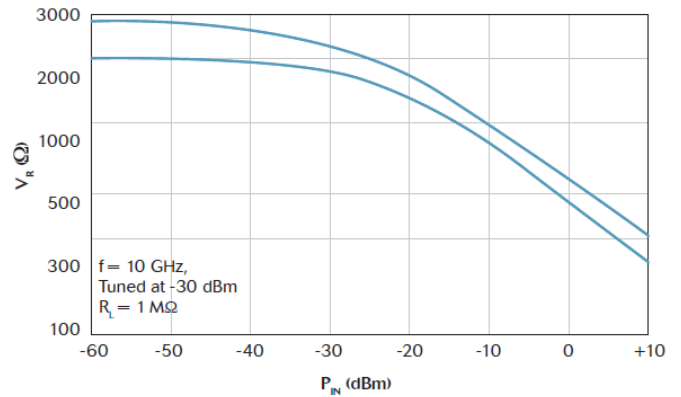
Parameters	Rating
Reverse Voltage	1 V
Forward Current	35 mA
CW Power Dissipation	100 mW, derate linearly to 0 @ $T_A = +150^\circ\text{C}$
Operating Temperature	-65°C to $+150^\circ\text{C}$
Storage Temperature	-65°C to $+150^\circ\text{C}$
Soldering Temperature (packaged)	$+230^\circ\text{C}$ for 5 seconds

Typical Performance Curves: $T_A = 25^\circ\text{C}$

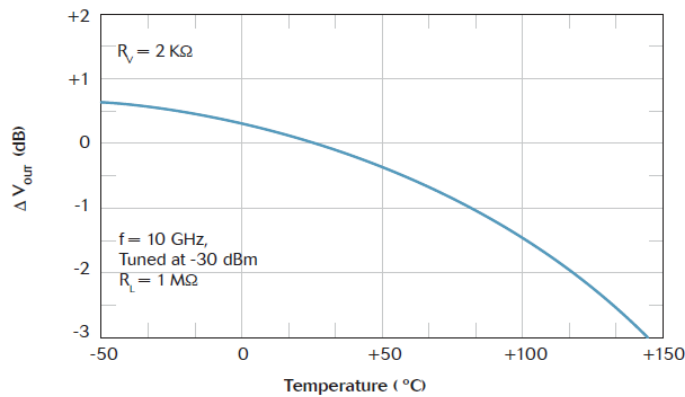
Detected Output vs. RF Input Power



Video Resistance vs. RF Input Power



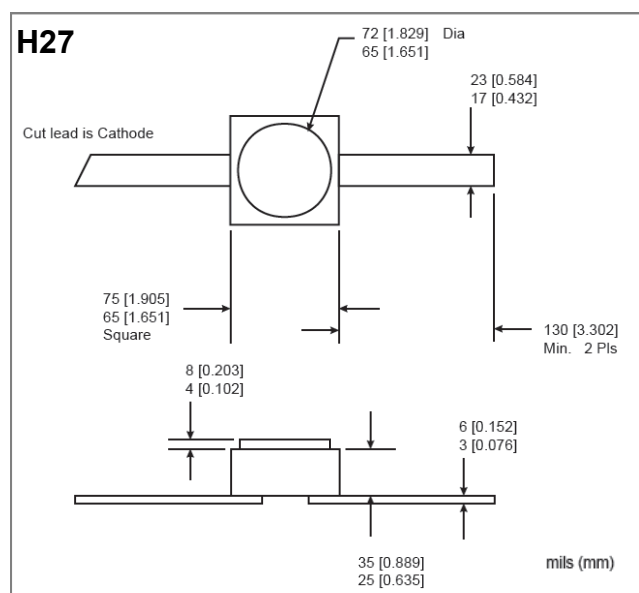
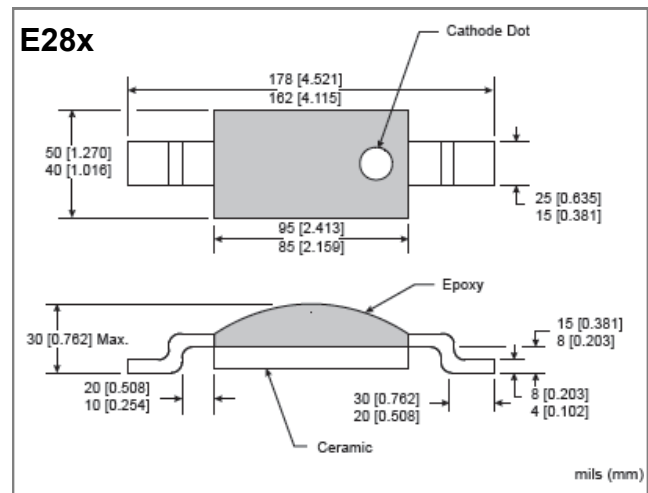
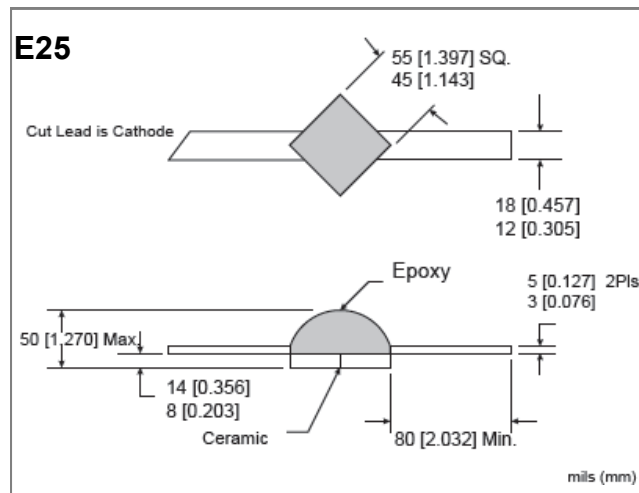
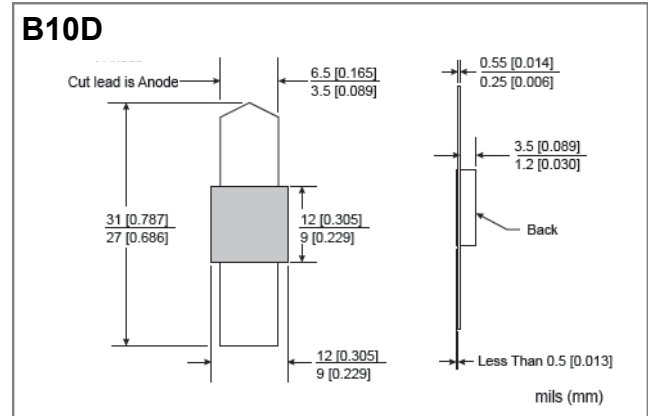
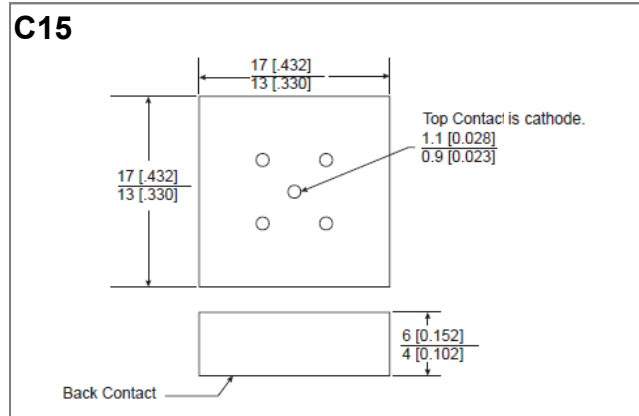
Detector Output vs. Temperature



Zero Bias Schottky Diodes

Rev. V4

Outline Drawings



Outline Drawings

