

Features

- V_F , R_D and C_J Matching Options
- Beam Lead & Packaged Devices
- Hi-Rel Screening Available per:
MIL-PRF-19500 & MIL-PRF-38534

Description

The MSS60-xxx-x Series of Schottky diodes are fabricated on N-Type epitaxial substrates using proprietary processes that yield the highest FCOs in the industry. Optimum mixer performance is obtained with LO power of 6 dBm to 12 dBm per diode.



Beam Lead

Electrical Specifications: $T_A = 25^\circ\text{C}$

Model	Configuration	V_F Typ. mV	V_{BR} Min. V	C_J Typ. / Max. pF	R_S Typ. Ω	R_D Max. Ω	Outline
		$I_F = 1 \text{ mA}$	$I_R = 10 \mu\text{A}$	$V_R = 0 \text{ V}$ $F = 1 \text{ MHz}$	$I = 5 \text{ mA}$	$I = 5 \text{ mA}$	
MSS60-144-B10B	Single Junction	625	3.5	0.08 / 0.10	20	25	B10B
MSS60-148-B10B	Single Junction	625	3.5	0.12 / 0.15	13	18	B10B
MSS60-153-B10B	Single Junction	625	3.5	0.20 / 0.25	7	12	B10B
MSS60-244-B20	Series Tee	625	3.5	0.08 / 0.10	20	25	B20
MSS60-248-B20	Series Tee	625	3.5	0.12 / 0.15	13	18	B20
MSS60-253-B20	Series Tee	625	3.5	0.20 / 0.25	7	12	B20
MSS60-444-B42	Ring Quad	650	3.5	0.08 / 0.10	20	25	B42
MSS60-448-B42	Ring Quad	650	3.5	0.12 / 0.15	13	18	B42
MSS60-453-B42	Ring Quad	650	3.5	0.25 / 0.30	7	12	B42
MSS60-841-B80	Ring Quad	1200	6.0	0.06 / 0.08	23	28	B80
MSS60-846-B80	Ring Quad	1200	6.0	0.10 / 0.12	17	23	B80
MSS60-848-B80	Ring Quad	1200	6.0	0.12 / 0.15	13	18	B80

(Continued next page)

Packaged

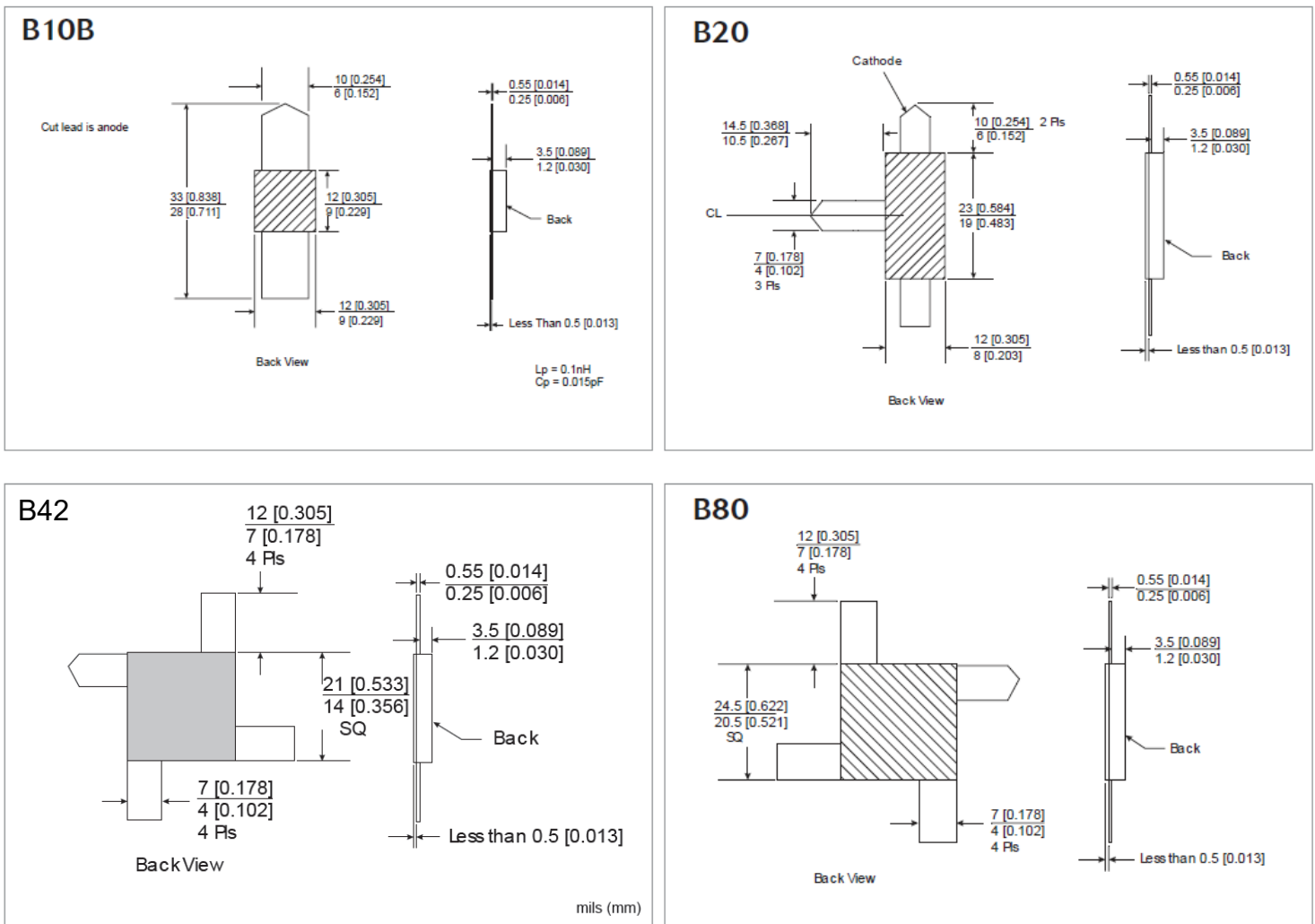
Electrical Specifications: $T_A = 25^\circ\text{C}$

Model	Configuration	V_F Typ. mV	V_{BR} Min. V	C_J Typ. / Max. pF	R_S Typ. Ω	R_D Max. Ω	Outline
		$I_F = 1 \text{ mA}$	$I_R = 10 \text{ }\mu\text{A}$	$V_R = 0 \text{ V}$ $F = 1 \text{ MHz}$	$I = 5 \text{ mA}$	$I = 5 \text{ mA}$	
MSS60-144-E25	Single Junction	625	3.5	0.21 / 0.27	20	25	E25
MSS60-144-H20	Single Junction	625	3.5	0.24 / 0.30	20	25	H20
MSS60-148-E25	Single Junction	625	3.5	0.24 / 0.30	13	18	E25
MSS60-148-H20	Single Junction	625	3.5	0.27 / 0.33	13	18	H20
MSS60-153-E25	Single Junction	625	3.5	0.16 / 0.22	7	12	E25
MSS60-153-H20	Single Junction	625	3.5	0.24 / 0.30	7	12	H20
MSS60-244-E35	Series Tee	625	3.5	0.22 / 0.28	20	25	E35
MSS60-244-H30	Series Tee	625	3.5	0.30 / 0.36	20	25	H30
MSS60-248-E35	Series Tee	625	3.5	0.35 / 0.41	13	18	E35
MSS60-248-H30	Series Tee	625	3.5	0.43 / 0.50	13	18	H30
MSS60-253-E35	Ring Quad	625	3.5	0.22 / 0.28	7	12	E35
MSS60-253-H30	Ring Quad	625	3.5	0.35 / 0.41	7	12	H30
MSS60-444-E45	Ring Quad	650	3.5	0.24 / 0.30	20	25	E45
MSS60-448-E45	Ring Quad	650	3.5	0.32 / 0.38	13	18	E45
MSS60-448-H40	Ring Quad	650	3.5	0.42 / 0.48	13	18	E45
MSS60-453-E45	Ring Quad	650	3.5	0.26 / 0.30	7	12	E45
MSS60-453-H40	Ring Quad	650	3.5	0.32 / 0.38	7	12	H40
MSS60-841-E45	Ring Quad	1200	6.0	0.30 / 0.35	23	28	E45
MSS60-841-H40	Ring Quad	1200	6.0	0.40 / 0.45	23	28	H40
MSS60-846-E45	Ring Quad	1200	6.0	0.32 / 0.38	18	23	E45
MSS60-846-H40	Ring Quad	1200	6.0	0.42 / 0.48	18	23	H40
MSS60-848-E45	Ring Quad	1200	6.0	0.35 / 0.41	13	18	E45
MSS60-848-H40	Ring Quad	1200	6.0	0.44 / 0.51	13	18	H40

Absolute Maximum Ratings

Parameters	Rating
Reverse Voltage	Rated V_{BR}
Forward Current	50 mA
Power Dissipation	100 mW, per junction @ $T_A = 25^\circ\text{C}$, derate linearly to 0 @ $T_A = +150^\circ\text{C}$
Operating Temperature	-65°C to $+150^\circ\text{C}$
Storage Temperature	-65°C to $+150^\circ\text{C}$
Soldering Temperature (packaged)	$+230^\circ\text{C}$ for 5 seconds
Beam Lead Pull Strength	4 G minimum

Outline Drawings:



MACOM Technology Solutions Inc. (MACOM) and its affiliates reserve the right to make changes to the product(s) or information contained herein without notice. Visit www.macom.com for additional data sheets and product information.

Outline Drawings:

