



Mallory Sonalert Products, Inc.

Part #:

MSW5DMCSP

Sales Outline Drawing

Revision:

B

cUL Recognized to IEC60601-1-8 AMD2:2020

Specifications:

Drug or Fluid Delivery Melody

| | | | | |
|------------------------|---|---|--|--|
| Sound Level Category: | Silent | Loud | Loud | Loud |
| Mode of Operation: | Silent | Continuous | Medium Priority Alarm - MP-drug_delivery.wav repeating every 7.5 sec | Slow Pulse @ 1PPS |
| Loudness @ 10cm: | Silent | 85 to 95 dB(A) Typ. | 85 to 95 dB(A) Typ. | 85 to 95 dB(A) Typ. |
| Connection: | Connect "+" to "+" & "-" to "-" of Power Supply | Connect "+" to "+" & "-" & Low to "-" of Power Supply | Connect "+" to "+" & "-" & Medium to "-" of Power Supply | Connect "+" to "+" & "-" & High to "-" of Power Supply |
| Average Current Draw: | <10mA Typ | <200mA Typ. | <250mA Typ. | <250mA Typ. |
| Voltage Rating: | 2.7 - 5.5 VDC | | | |
| Ipk Current*: | 400mA | | | |
| Housing Material: | Valox (UL94V-0), Octagonal, Black | | | |
| Storage Temperature: | -30° to +60° C | | | |
| Operating Temperature: | -30° to +55° C | | | |
| Weight Typical: | 6.0g | | | |
| Options: | Please contact factory. | | | |

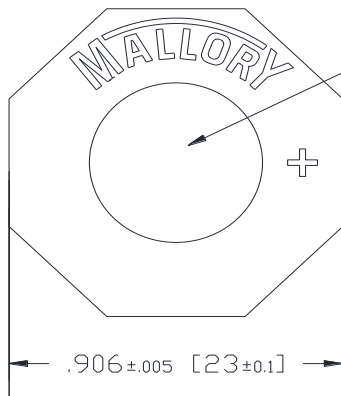
Dimensions:

Inches [mm]

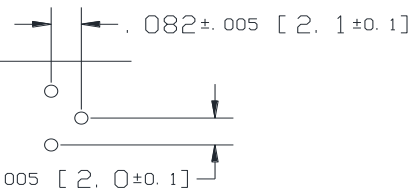
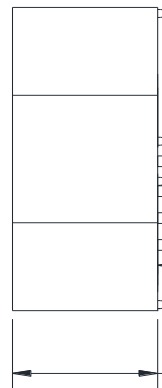
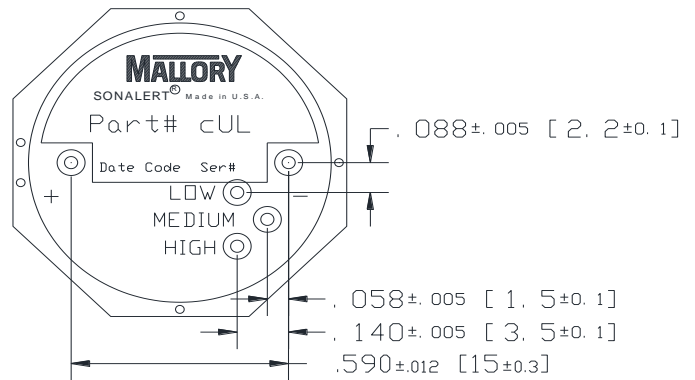
cUL Recognized

ROHS Compliant

PATENT NUMBER: 7880593



EMISSION HOLE



NOTE A: TERMINALS - .031" DIA. NICKEL/TIN COATED BRASS.

NOTE B: MOUNTING- INSERT INTO PRINTED CIRCUIT BOARD AND HAND OR MACHINE SOLDER. UNITS ARE SUITABLE FOR WAVE SOLDERING. BOARDS ARE NOT SUITABLE FOR WASH. RECOMMENDED MAXIMUM TEMPERATURE AND TIME DURATION FOR WAVE SOLDERING IS +270°C AND 3 SECONDS RESPECTIVELY.

*Ipk = Instantaneous Peak