



**Mallory Sonalert Products, Inc.**

Part #:

**MSW5EM**

**Sales Outline Drawing**

Revision:

**C**

**Specifications:**

**cUL Recognized to IEC60601-1-8 AMD2:2020**

|                        |   |
|------------------------|---|
| Sound Level Category:  | Loud  |
| Mode of Operation:     | Equipment - Supply Failure Melody Medium Priority repeating every 7.5 sec |
| Voltage Rating:        | 3.3 - 5.5 VDC   |
| Loudness @ 10cm:       | 85 to 95 dB(A) Typ.   |
| Average Current Draw:  | <250mA Typ  |
| Ipk Current*:          | 400mA   |
| Housing Material:      | Valox (UL94V-0), Color: Black   |
| Storage Temperature:   | -30° to +60° C  |
| Operating Temperature: | -30° to +55° C  |
| Weight Typical:        | 6.0g  |
| Options:               | Please contact factory.   |

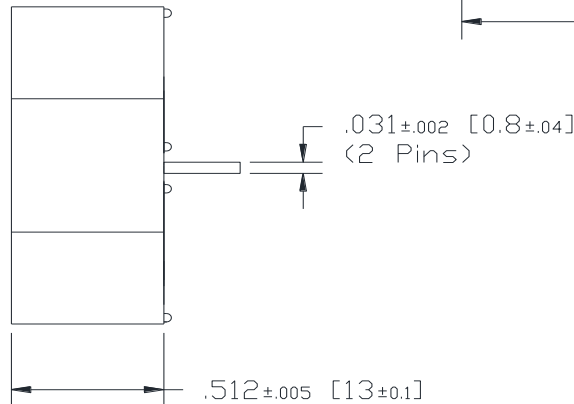
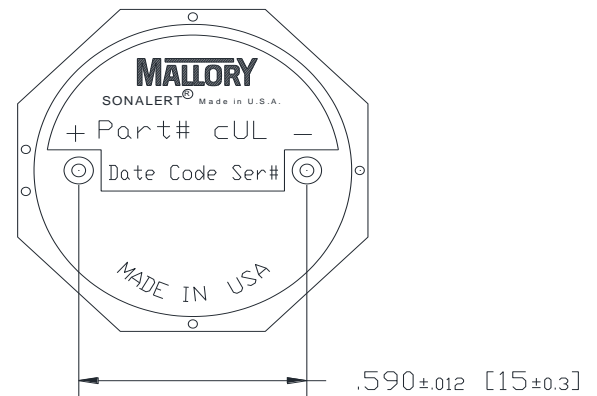
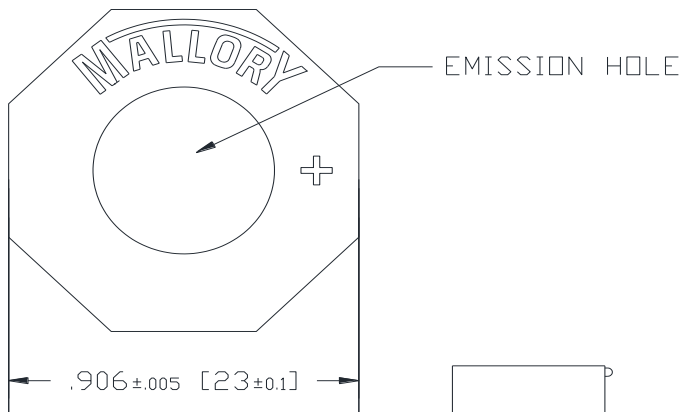
**Dimensions:**

Inches (mm)

**cUL Recognized**

**ROHS Compliant**

PATENT NUMBER: 7880593



NOTE A:  
TERMINALS - .031" DIA. NICKEL/TIN COATED BRASS.

NOTE B:  
MOUNTING- INSERT INTO PRINTED CIRCUIT BOARD AND HAND OR MACHINE SOLDER.  
UNITS ARE SUITABLE FOR WAVE SOLDERING. BOARDS ARE NOT SUITABLE FOR WASH.  
RECOMMENDED MAXIMUM TEMPERATURE AND TIME DURATION FOR WAVE SOLDERING IS  
+270°C AND 3 SECONDS RESPECTIVELY.

\*Ipk = Instantaneous Peak