



Mallory Sonalert Products, Inc.

Part #:

MSW5EMHSP

Sales Outline Drawing

Revision:

B

cUL Recognized to IEC60601-1-8 AMD2:2020

Specifications:

Equipment - Supply Failure Melody

Sound Level Category:	Silent	Loud	Loud	Loud
Mode of Operation:	Silent	Slow Pulse @ 1PPS	Medium Priority Alarm - MP-failure.wav repeating every 7.5 sec	High Priority Alarm - HP-failure.wav repeating every 2.5 sec
Loudness @ 10cm:	Silent	85 to 95 dB(A) Typ.	85 to 95 dB(A) Typ.	85 to 95 dB(A) Typ.
Connection:	Connect "+" to "+" & "-" to "-" of Power Supply	Connect "+" to "+" & "-" to "-" of Power Supply	Connect "+" to "+" & "-" to "-" of Power Supply	Connect "+" to "+" & "-" to "-" of Power Supply
Average Current Draw:	<10mA Typ	<200mA Typ.	<250mA Typ.	<250mA Typ.
Voltage Rating:	2.7 - 5.5 VDC			
Ipk Current*:	400mA			
Housing Material:	Valox (UL94V-0), Octagonal, Black			
Storage Temperature:	-30° to +60° C			
Operating Temperature:	-30° to +55° C			
Weight Typical:	6.0g			
Options:	Please contact factory.			

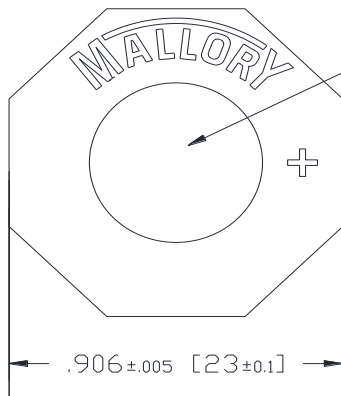
Dimensions:

Inches [mm]

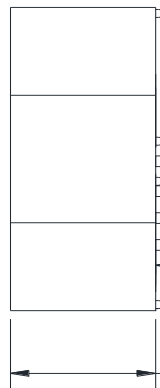
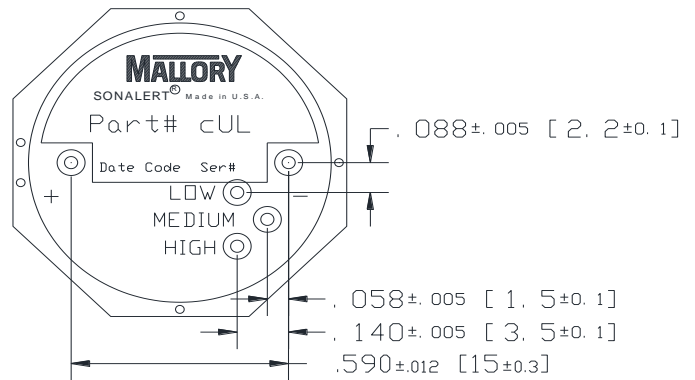
cUL Recognized

ROHS Compliant

PATENT NUMBER: 7880593



EMISSION HOLE



.031±.002 [0.8±0.4]

(5 Pins)

.158±.005 [4.0±0.1]

.197±.005 [5.0±0.1]

.079±.005 [2.0±0.1]

.082±.005 [2.1±0.1]

NOTE A: TERMINALS - .031" DIA. NICKEL/TIN COATED BRASS.

NOTE B: MOUNTING- INSERT INTO PRINTED CIRCUIT BOARD AND HAND OR MACHINE SOLDER. UNITS ARE SUITABLE FOR WAVE SOLDERING. BOARDS ARE NOT SUITABLE FOR WASH. RECOMMENDED MAXIMUM TEMPERATURE AND TIME DURATION FOR WAVE SOLDERING IS +270°C AND 3 SECONDS RESPECTIVELY.

*Ipk = Instantaneous Peak