



**Mallory Sonalert Products, Inc.**

Part #: **MSW5VMHCT**

**Sales Outline Drawing**

Revision: **C**

**cUL Recognized to IEC60601-1-8 AMD2:2020**

**Specifications:**

**Ventilation Melody**

Sound Level Category:	Silent	Loud	Loud	Loud
Mode of Operation:	Silent	Continuous	Medium Priority - MP-ventilation.wav repeating every 7.5 sec	High Priority - HP-ventilation.wav repeating every 2.5 sec
Loudness @ 10cm:	Silent	85 to 95 dB(A) Typ.	85 to 95 dB(A) Typ.	85 to 95 dB(A) Typ.
Connection:	Connect "+" to "+" & "-" to "-" of Power Supply	Connect "+" to "+" & "-" & Low to "-" of Power Supply	Connect "+" to "+" & "-" & Medium to "-" of Power Supply	Connect "+" to "+" & "-" & High to "-" of Power Supply
Average Current Draw:	<10mA Typ	<200mA Typ.	<250mA Typ.	<250mA Typ.
Voltage Rating:	3.3 - 5.5 VDC			
Ipk Current*:	400mA			
Housing Material:	Valox (UL94V-0), Octagonal, Black			
Storage Temperature:	-30° to +60° C			
Operating Temperature:	-30° to +55° C			
Weight Typical:	6.0g			
Options:	Please contact factory.			

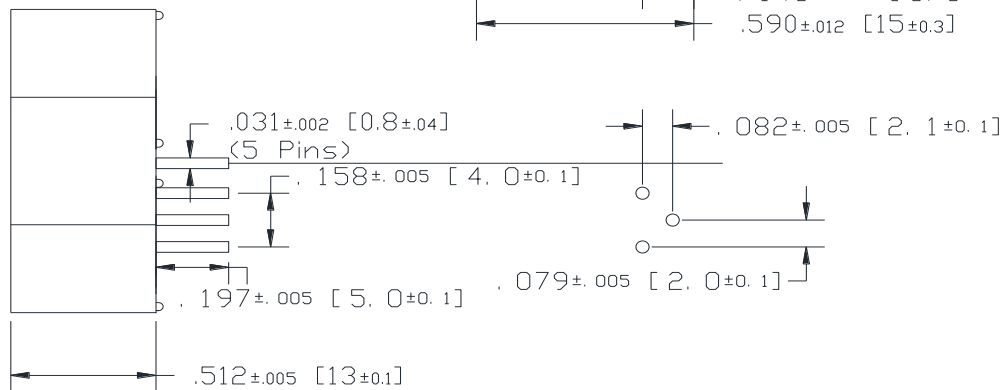
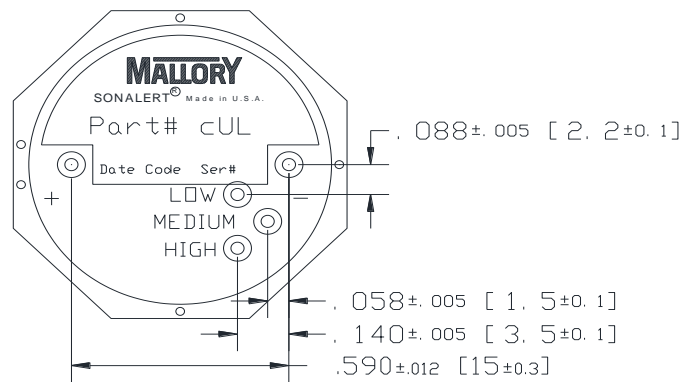
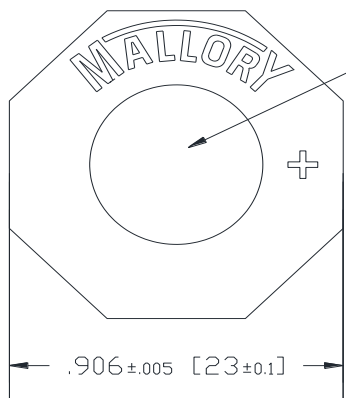
**Dimensions:**

Inches [mm]

**cUL Recognized**

PATENT NUMBER: 7880593

**ROHS Compliant**



NOTE A: TERMINALS - .031" DIA. NICKEL/TIN COATED BRASS.

NOTE B: MOUNTING- INSERT INTO PRINTED CIRCUIT BOARD AND HAND OR MACHINE SOLDER. UNITS ARE SUITABLE FOR WAVE SOLDERING. BOARDS ARE NOT SUITABLE FOR WASH. RECOMMENDED MAXIMUM TEMPERATURE AND TIME DURATION FOR WAVE SOLDERING IS +270°C AND 3 SECONDS RESPECTIVELY.

\*Ipk = Instantaneous Peak