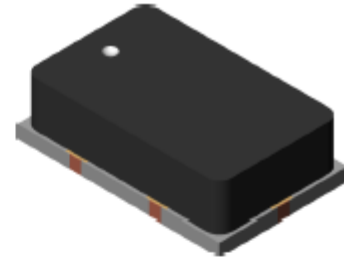


Features

- Wide Frequency Range: 2 GHz to 4 GHz
- Surface Mount SP3T Switch in Compact Outline:
 - 8 mm L x 5 mm W x 2.5 mm H
- Higher Average Power Handling than Plastic Packaged
 - MMIC Switches: 125 W CW
- High RF Peak Power: 500 W
- Low Insertion Loss: 0.85 dB
- Low VSWR: 1.6:1
- Operates From Positive Voltage Only: 5 V & 30 V & -5 V
- RoHS Compliant



Case Style CS242

Applications

- High Power Transmit/Receive (TR) Switching
- Active Receiver Protection

Description

The MSWLM2420-242 SP2T Switch-Limiter Module incorporates a high-power SP2T switch with a passive limiter and a fully integrated DC bias network. It is designed to be used in high power switch applications operating from 2 to 4 GHz.

The MSWLM2420-242 is manufactured using a proven hybrid manufacturing process incorporating high voltage PIN diodes and passive devices integrated within a ceramic substrate. This low profile, compact, surface mount component, (8 mm L x 5 mm W x 2.5 mm H) offers superior large and small signal performance comparable to that of MMIC devices in QFN packages. The SP2T Switch-Limiter is designed to minimize Ant-Rx insertion loss in the small-signal receive state and to provide excellent input return loss in the Tx-Ant signal path under large signal (51 dBm CW) conditions while in the transmit state.

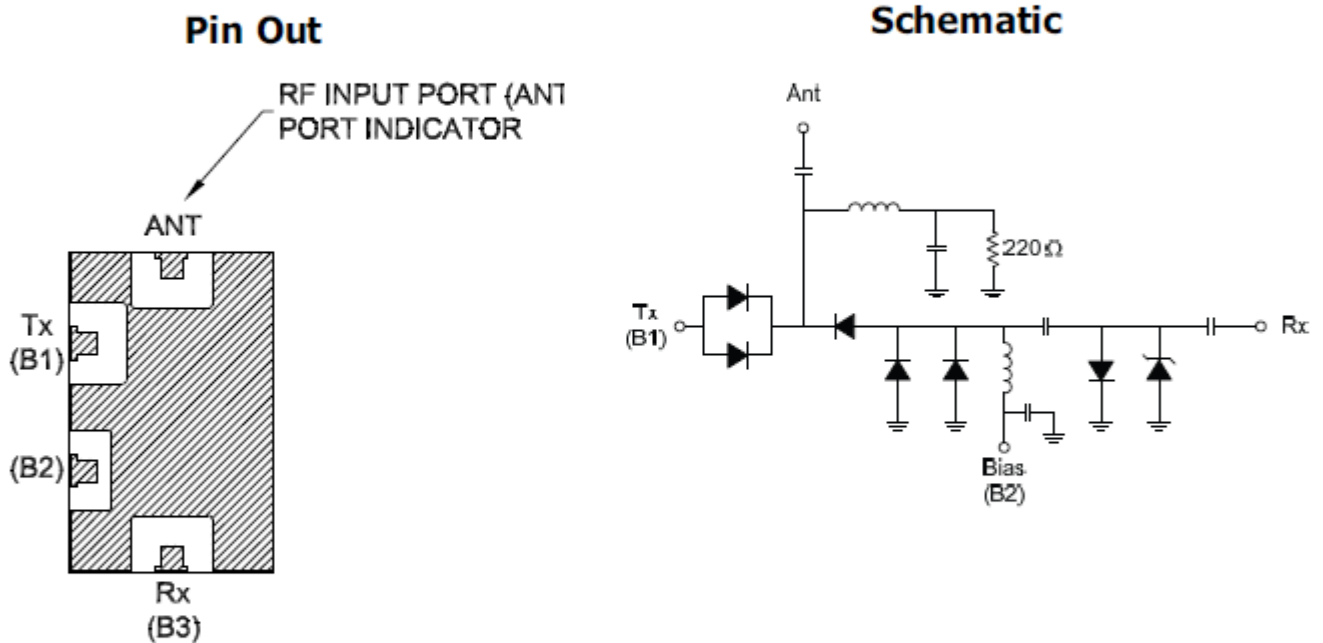
The very low thermal resistance (<40 °C/W) of the PIN diodes in this device enable it to reliably handle RF incident power levels of 51 dBm CW and RF peak incident power levels of 53 dBm in cold switching applications at $T_a = 85^\circ\text{C}$. The PIN limiter diode low series resistance (<1.5 Ω) produces low flat leakage power (15 dBm), and its small capacitance (<0.15 pF) produces very low insertion loss (<1 dB). This switch-limiter is designed for systems which utilize high volume, surface mount, solder re-flow assembly manufacturing. This product is durable and capable of reliably operating in military, commercial, and industrial environments. It is RoHS compliant.

Environmental Capabilities

The MSWLM2420-242 Switch-Limiter Module is capable of meeting the environmental requirements of MIL-STD-202 and MIL-STD-750. The package uses a moisture seal enclosure.

ESD and Moisture Sensitivity Level Rating

PIN diode switches are susceptible to damage from ESD events, as are all semiconductors. The ESD rating for this device is Class 1A, HBM. The moisture sensitivity level rating for this device is MSL 1.



Truth Table

Ant – Tx Path	Ant – Rx Path	B1 Bias	B2 Bias
Low insertion loss	Isolation	30 V (nominal) @ 130 mA	-5 V (nominal) @ -25 mA
Isolation	Low insertion loss, small RF input signal	-5 V @ 0 mA	5 V (nominal) @ 20 mA

MSWLM2420-242 Electrical Specifications

$Z_0 = 50 \Omega$, $P_{IN} = 0 \text{ dBm}$, $T_A = 25 \text{ }^\circ\text{C}$ (Unless Otherwise Defined)

Parameter	Symbol	Test Conditions	Minimum Value	Typical Value	Maximum Value	Units
Frequency	F		2	-	4	GHz
Ant-Tx Return Loss	$RL_{(Tx)}$	Condition 1	12	20	-	dB
Ant-Rx Insertion Loss	$IL_{(Rx)}$	Condition 2	-	0.7	1.7	dB
Ant-Tx Insertion Loss	$IL_{(Tx)}$	Condition 1	-	0.25	0.35	dB
Ant-Rx Return Loss	$RL_{(Rx)}$	Condition 2	13.0	15.0	-	dB
Ant-Rx Isolation	$Isol_{(Rx)}$	Condition 1	35	40	-	dB
Tx Incident Power	$P_{inc} (TxCW)$	Condition 1	-	-	51.0	dBm
Switching Time	T_{sw}	Conditions 1, 2, 3, 50% TTL to 90%RF Voltage	-	500	700	ns
Ant-Rx Input Power	$P_{inc} (Rx)$	Condition 4	-	-	33.0	dBm
Flat Leakage Power	FL	Condition 3, $f = 2.45 \text{ GHz}$	-	13.0	15.0	dBm
Spike Leakage Energy	SL	Condition 3	-	0.1	0.2	erg
Recovery Time	T_R	Condition 3, Insertion Loss = 1 dB	-	700	1000	ns

MSWLM2420-242 Electrical Specifications

$Z_0 = 50 \Omega$, $P_{IN} = 0 \text{ dBm}$, $T_A = 25 \text{ }^\circ\text{C}$ (Unless Otherwise Defined)

Parameter	Symbol	Test Conditions	Minimum Value	Typical Value	Maximum Value	Units
Frequency	F		3.1	-	3.5	GHz
Ant-Tx Return Loss	$RL_{(Tx)}$	Condition 1	13.0	16.0	-	dB
Ant-Rx Insertion Loss	$IL_{(Rx)}$	Condition 2	-	0.85	1.00	dB
Ant-Tx Insertion Loss	$IL_{(Tx)}$	Condition 1	-	0.25	0.35	dB
Ant-Rx Return Loss	$RL_{(Rx)}$	Condition 2	13.0	15.0	-	dB
Ant-Rx Isolation	$Isol_{(Rx)}$	Condition 1	40.0	45.0	-	dB
Tx Incident Power	$P_{inc} (TxCW)$	Condition 1	-	-	51.0	dBm
Switching Time	T_{sw}	Conditions 1, 2, 3, 50% TTL to 90%RF Voltage	-	500	700	ns
Ant-Rx Input Power	$P_{inc} (Rx)$	Condition 4	-	-	33.0	dBm
Flat Leakage Power	FL	Condition 3, $f = 2.45 \text{ GHz}$	-	13.0	15.0	dBm
Spike Leakage Energy	SL	Condition 3	-	0.1	0.2	erg
Recovery Time	T_R	Condition 3, Insertion Loss = 1 dB	-	700	1000	ns

Continued on next page

MSWLM2420-242 Electrical Specifications

$Z_0 = 50 \Omega$, $P_{IN} = 0 \text{ dBm}$, $T_A = 25 \text{ }^\circ\text{C}$ (Unless Otherwise Defined)

Parameter	Symbol	Test Conditions	Minimum Value	Typical Value	Maximum Value	Units
Frequency	F		3.1	-	3.5	GHz
Ant-Tx Return Loss	$RL_{(Tx)}$	Condition 1	13.0	16.0	-	dB
Ant-Rx Insertion Loss	$IL_{(Rx)}$	Condition 2	-	1.00	1.20	dB
Ant-Tx Insertion Loss	$IL_{(Tx)}$	Condition 2	-	0.30	0.40	dB
Ant-Rx Return Loss	$RL_{(Rx)}$	Condition 2	13.0	15.0	-	dB
Ant-Rx Isolation	$Isol_{(Rx)}$	Condition 1	40.0	43.0	-	dB
Tx Incident Power	$P_{inc} (TxCW)$	Condition 1	-	-	51.0	dBm
Switching Time	T_{sw}	Conditions 1, 2, 3, 50% TTL to 90%RF Voltage	-	500	700	ns
Ant-Rx Input Power	$P_{inc} (Rx)$	Condition 4	-	-	33.0	dBm
Flat Leakage Power	FL	Condition 3	-	13.0	15	dBm
Spike Leakage Energy	SL	Condition 3	-	0.1	0.2	erg
Recovery Time	T_R	Condition 3, Insertion Loss = 1 dB	-	700	1000	ns

Conditions:

- Tx – Ant High Power Transmit State:
 - Input signal: 125 W @ 300 μs pulse width and 10% duty cycle, or 100 μs pulse width and 20% duty cycle
 - Source/load VSWR $\leq 1.2:1$
 - DC bias: 30 V @ approximately 130 mA (B1), -1 V @ approximately -25 mA (B2)
- Ant-Rx Small Signal Receive State:
 - Input signal: -10 dBm
 - Source/load VSWR $\leq 1.2:1$
 - DC bias: -5 V @ 0 mA (B1), 4.7 V @ approximately 20 mA (B2)
- Ant-Rx Large Signal Receiver-Protection State:
 - Input signal: 33 dBm CW
 - Source/load VSWR $\leq 1.2:1$.
 - DC bias: -5 V @ 0 mA (B1), 4.7 V @ approximately 20 mA (B2).
- Ant-Rx Moderate Power Receiver-Protection State:
 - Source/Load VSWR = 1.2:1
 - Input signals: unsynchronized, 33 dBm CW
 - DC Bias: OFF

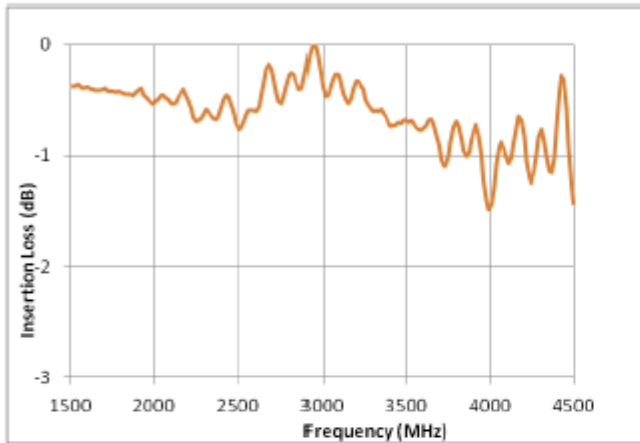
Absolute Maximum Ratings

$Z_0 = 50 \Omega$, $T_A = +25 \text{ }^\circ\text{C}$ (Unless Otherwise Defined)

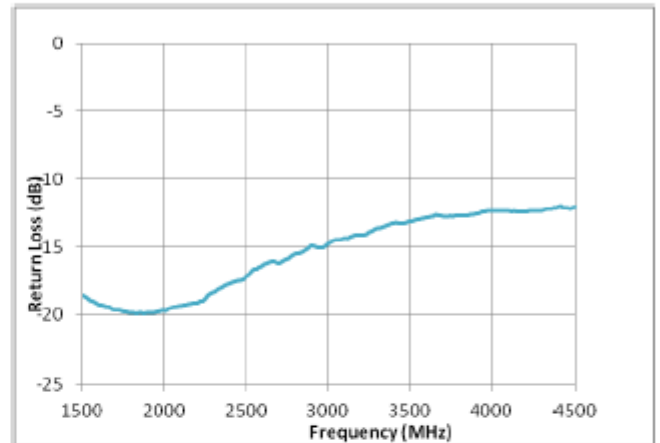
Parameter	Conditions	Absolute Maximum Value
Forward Current - B1 Port		150 mA
Reverse Voltage - B1 Port		-40 V
Forward Diode Voltage - B1 or B2 Port	$I_f = 150 \text{ mA}$	1.2 V
Operating Temperature		-54 $^\circ\text{C}$ to 85 $^\circ\text{C}$
Storage Temperature		-65 $^\circ\text{C}$ to 150 $^\circ\text{C}$
Junction Temperature		175 $^\circ\text{C}$
Assembly Temperature	$t = 10 \text{ s}$	260 $^\circ\text{C}$
Peak Incident Power Handling	Source & load VSWR = 1.2 :1, $T_{\text{case}} = 85 \text{ }^\circ\text{C}$, cold switching, pulse width = 300 μs , duty cycle = 10 % or pulse width = 100 μs , duty cycle = 20 %	51 dBm
Total Dissipated RF & DC Power (Note 1)	$T_{\text{case}} = 85 \text{ }^\circ\text{C}$, cold switching	10 W
Thermal Resistance Junction to Package Terminals		45 $^\circ\text{C/W}$

Small Signal Typical Performance

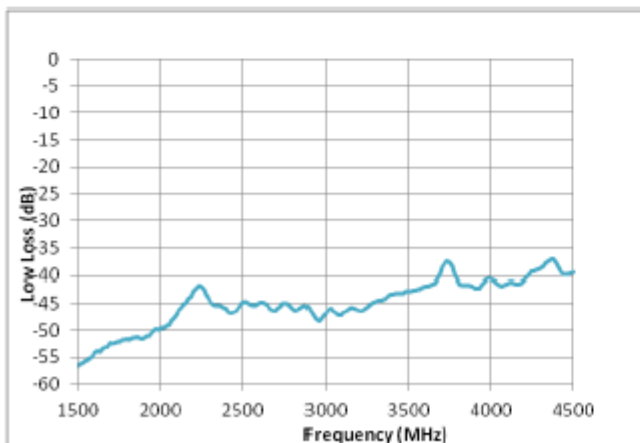
$Z_0 = 50 \Omega$, $T_A = +25 \text{ }^\circ\text{C}$ (Unless Otherwise Defined)



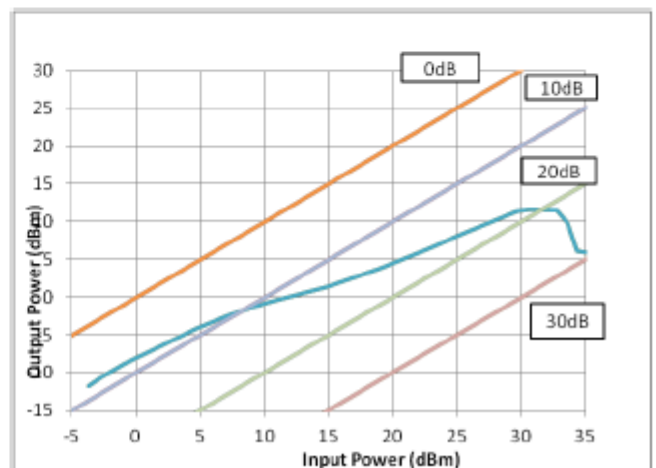
Insertion Loss, ANT-to-RX, PIN = -10 dBm, Condition 2



Return Loss, ANT-to-RX, PIN = -10 dBm, Condition 2



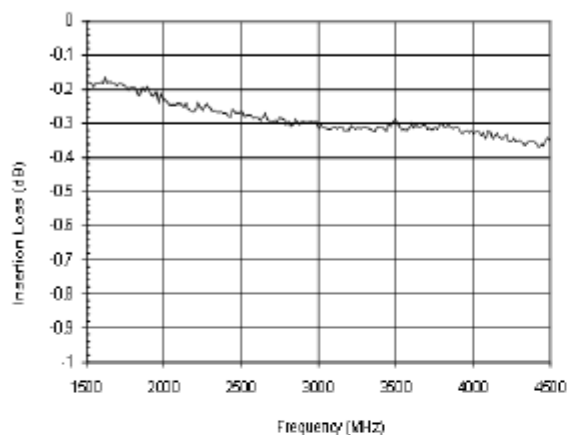
Isolation, ANT-to-RX, PIN = -10 dBm, Condition 1



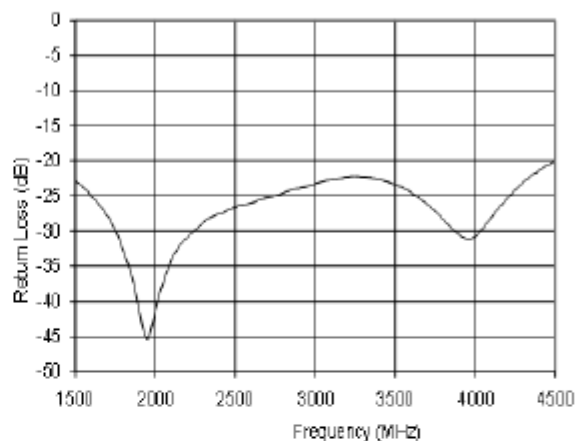
Output Power vs. Input Power, ANT to RX, Condition 2, $f = 3.1 \text{ GHz}$

Small Signal Typical Performance

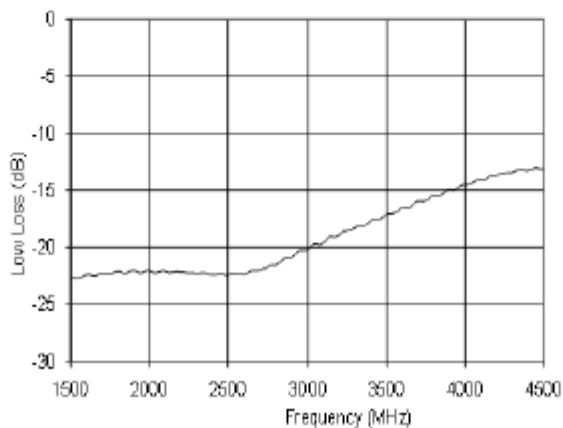
$Z_0 = 50 \Omega$, $T_A = +25 \text{ }^\circ\text{C}$ (Unless Otherwise Defined)



Insertion Loss, TX-to-ANT, PIN = -10 dBm, Condition 1

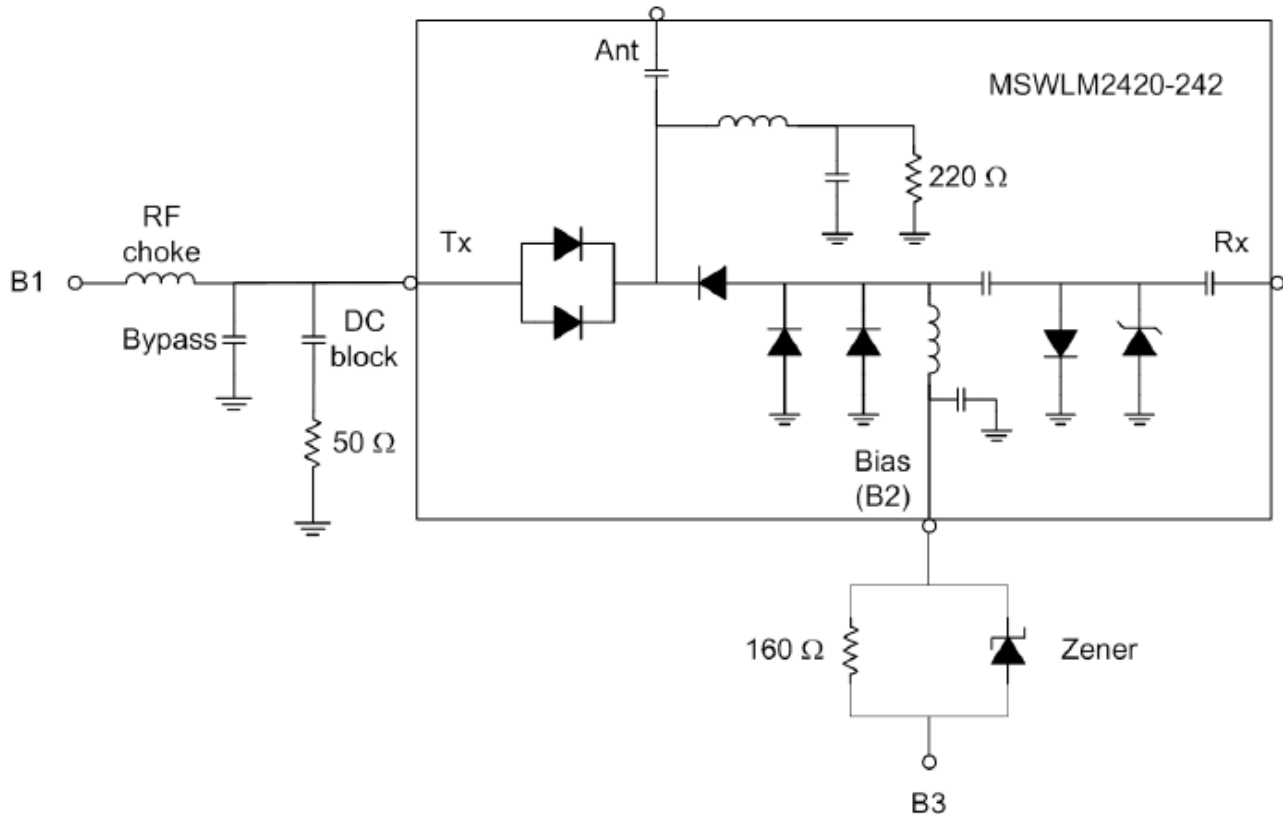


Return Loss, TX-to-ANT, PIN = -10 dBm, Condition 1



Isolation, TX-to-ANT, PIN = -10 dBm, Condition 2

SP2T Switch Evaluation Board Schematic



Evaluation Board Description

In the suggested application circuit shown above, the MSWLM2420-242 Switch-Limiter performs active and passive receiver protection. Active receiver protection is effected when the Ant-Tx path is in its low insertion loss state. Large signals incident upon the antenna terminal are directed to the external 50 Ω terminating resistor connected to the Tx port. When the device is biased to

produce low insertion loss in the Ant-Rx path, any large signal incident upon the Ant input port will activate the passive limiter circuit comprising the limiter PIN diode and the Schottky diode located at the Rx output port. This passive limiter circuit produces an impedance mismatch in the Ant-Rx signal path which reflects the large incident signal back towards its source.

Truth Table – Suggested Application Circuit

Ant – Tx Path	Ant – Rx Path	B1 Bias	B2 Bias	B3 Bias
Low insertion loss	Isolation	30 V (nominal) @ 130 mA (nominal)	-1 V (nominal) @ -25 mA	-5 V @ -25 mA (nominal)
Isolation	Low insertion loss, small RF input signal	-5 V @ 0 mA	4.7 V (nominal) @ 20 mA	5.0 V @ 20 mA (nominal)

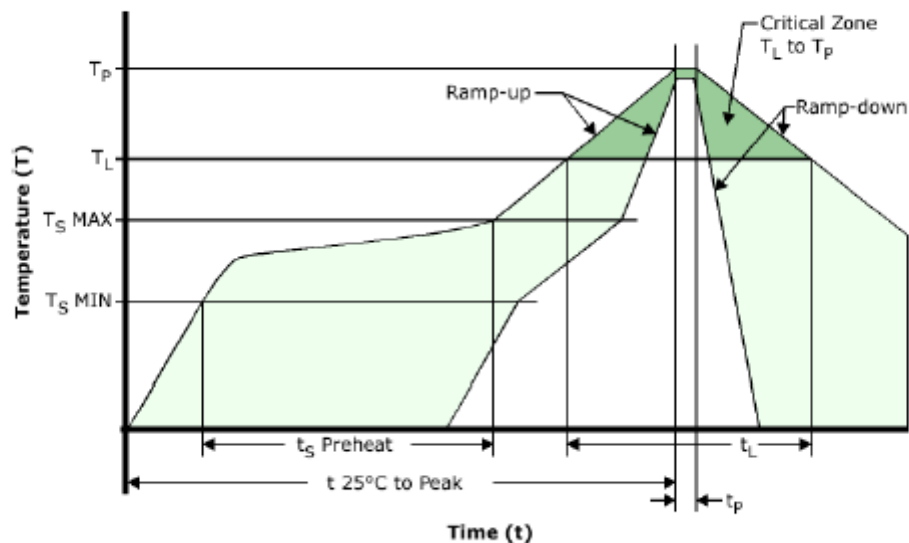
Assembly Instructions

The MSWLM2420-242 Switch-Limiter is capable of being placed onto circuit boards with pick and place manufacturing equipment which utilizes tube or tape-reel dispensing. The device is attached to the circuit board using conventional solder re-flow or wave soldering procedures with RoHS-compliant or Sn60/Pb40 solder per the conditions shown in Table I and Figure I.

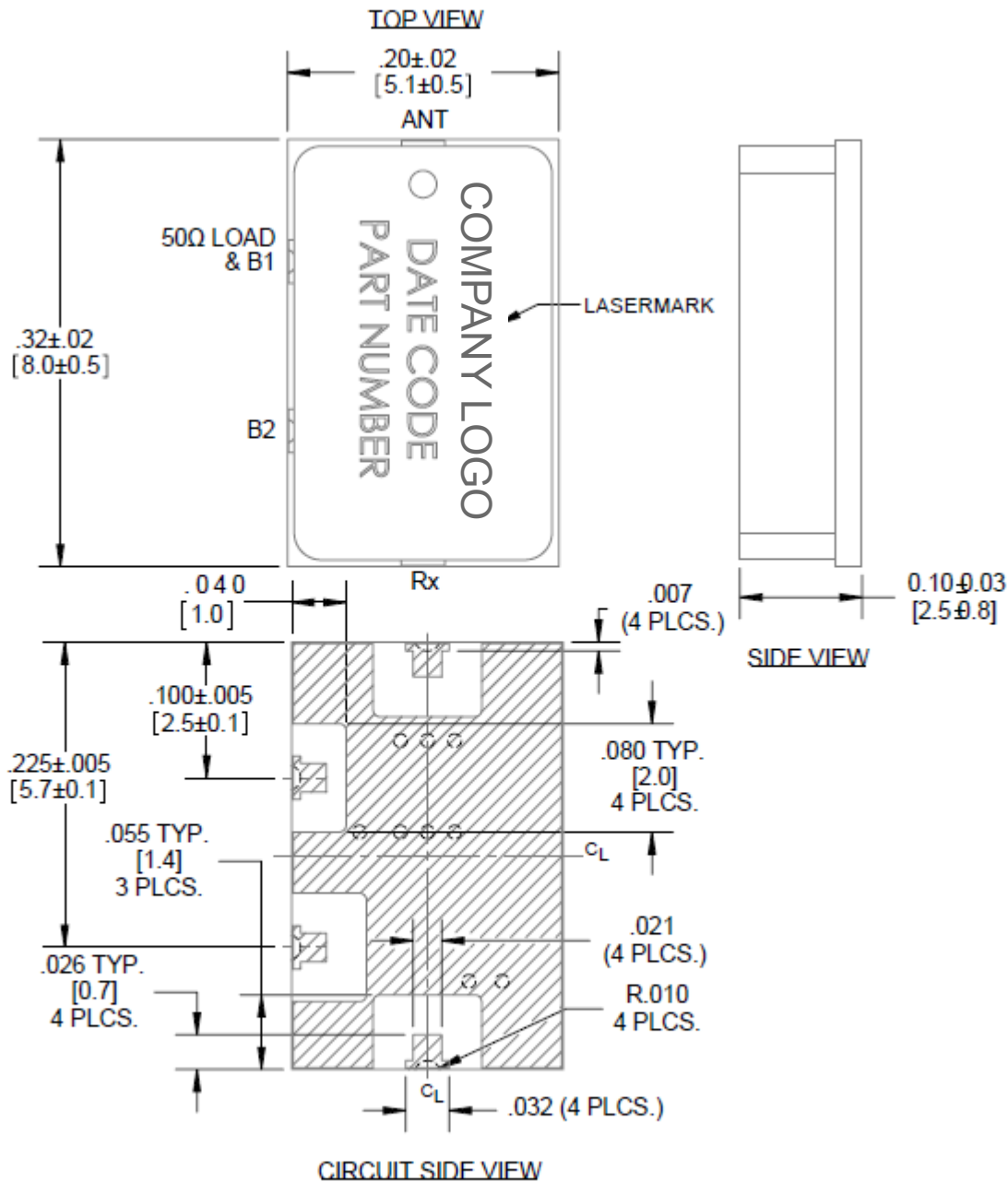
Table 1. Time-Temperature Profile for Sn60/Pb40 or RoHS Type Solders

Profile Feature	SnPb Solder Assembly	Pb-Free Solder Assembly
Average Ramp-Up Rate (T_L to T_p)	3 °C /second maximum	3 °C /second maximum
Preheat: <ul style="list-style-type: none"> - Temperature Min (T_{preH}) - Temperature Max (T_{preM}) - Time (min to max)(t_s) 	100 °C 150 °C 60-120 s	150 °C 200 °C 60-180 s
T_{preM} to T_L <ul style="list-style-type: none"> - Ramp-Up Rate 		3 °C/s maximum
Time Maintained Above: <ul style="list-style-type: none"> - Temperature (T_c) - Time (t_c) 	183 °C 60-150 s	217 °C 60-150 s
Peak temperature (T_p)	225 +0/-5 °C	260 +0/-5 °C
Time Within 5 °C of Actual Peak Temperature (t_p)	10 – 30 s	20 – 40 s
Ramp-Down Rate	6 °C /s maximum	6 °C /s maximum
Time 25 °C to Peak Temperature	6 minutes maximum	8 minutes maximum

Figure 1. Solder Re-Flow Time-Temperature Profile



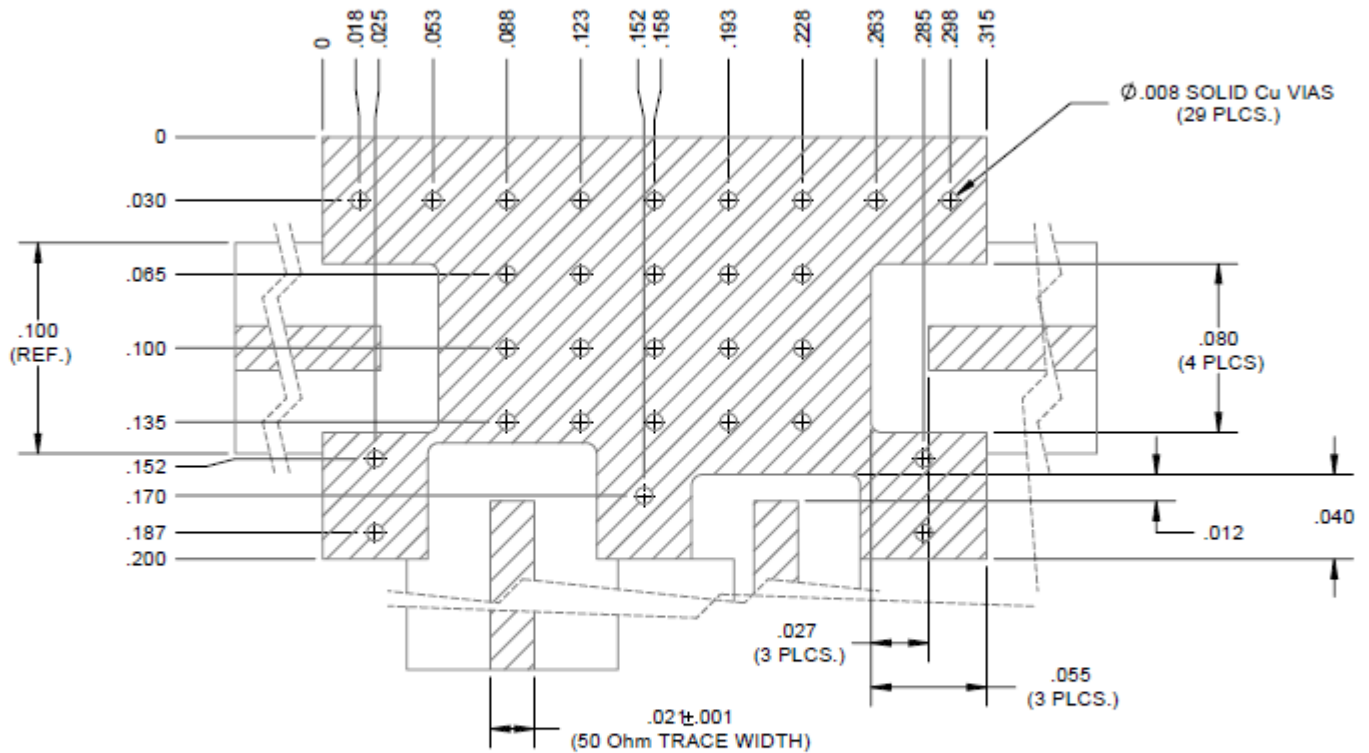
SP2T Switch Outline for Case Style 242 (CS242)



Notes:

1. Hatched Metal Area on Circuit Side of Device is RF, D.C., and Thermal Ground.

RF Circuit Solder Footprint for Case Style 242 (CS242)



The hatched metal area on circuit side of device must be connected via lowest possible impedance to RF and DC ground. It also must be connected via lowest possible thermal impedance to the ambient temperature. Vias should be solid copper fill and gold plated for optimum heat transfer from backside of limiter module through circuit vias to heat sink on back side of PCB.

Part Number Ordering Information

Part Number	Description	Packaging
MSWLM2420-242-T		Tube
MSWLM2420-242-R		Tape-Reel (Quantities of 250 or 500)
MSWLM2420-242-W		Waffle Pack