

# MT9M114\_55CSP\_Demo3\_Headboard

Page	Description
1	Title Page
2	Block Diagram
3	Pinout
4	MT9M114_K24B_SOC
5	Power Supply
6	External Interface
7	Clock & Reset_Multi Camera Intreface
8	Multi-Camera Block Drg

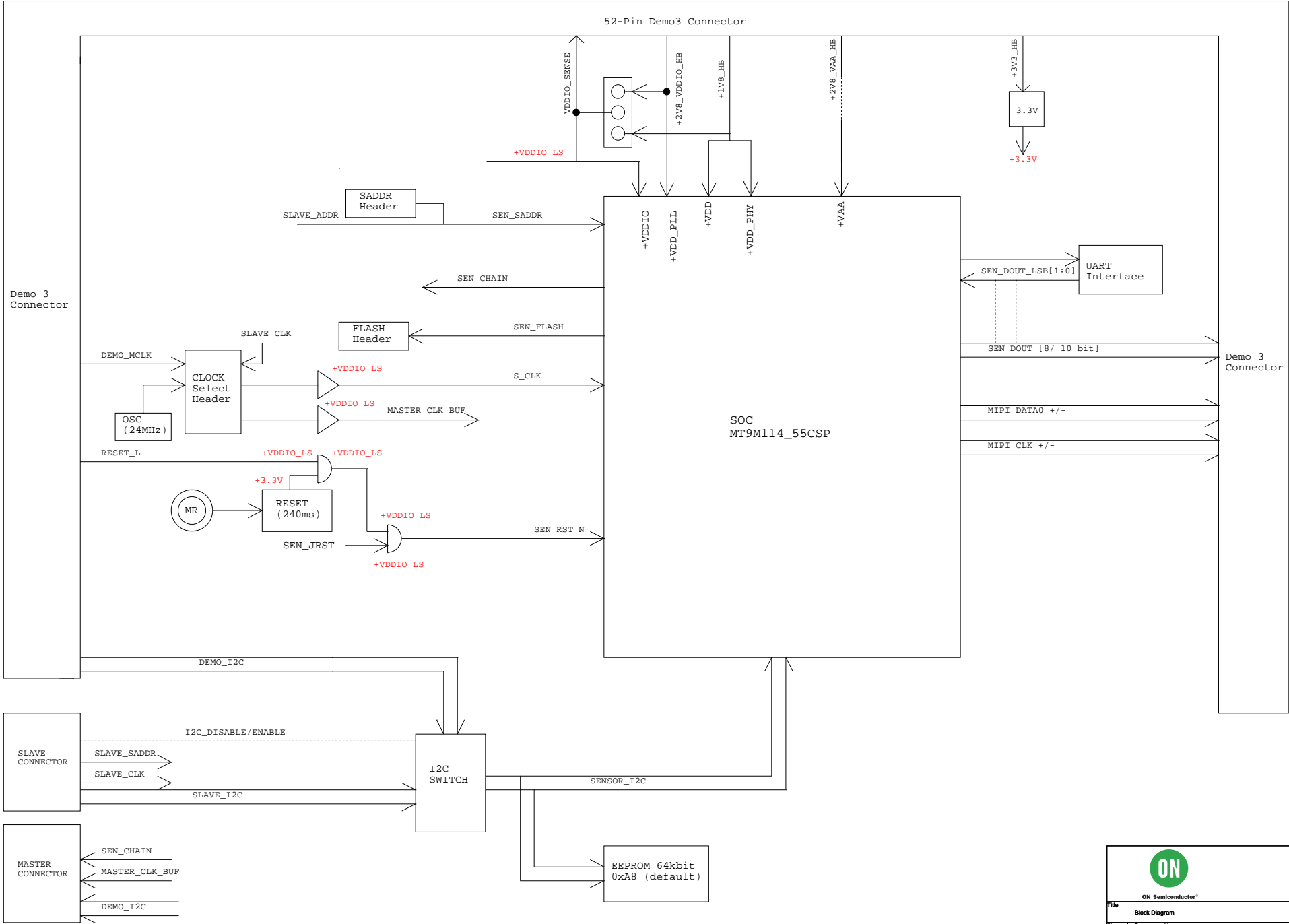
Rev	Who	Date	Description
Rev 0.0	jwrede	10/06/2014	Base Schematic for Custom Design
Rev 0.1	aralex	09/22/2015	- Design is based from MT9M114 CSP package Demo2 Rev1 board - Added Feedback clock to Demo3 circuitry
		09/30/2015	-Removed TP3 and TP4 : I2C test points -Removed C50, C51, C59, C60 decaps for 5V and 1.2V, Added TP7
		10/01/2015	-Removed I2C Debug Circuitry, C65 - Implemented the Master slave configuration as per that used in AR1335 HB
		10/07/2015	-Updated with review comments -Removed short in EEPROM section, corrected VDD and VDDIO nets near sensor, R2 deleted, changed voltage of RESET ckt from 3.3V to VDDIO_LS -Updated U3 from 24LC64-I/SN to 24FC64-I/SN
		10/07/2015	-Changed net names from OE_N to OE_L; SEN_RST_N to SEN_RST_L -Swapped the power headers for layout: JP4, JP5, JP6, JP7, JP8 -Updated block diagram
		10/07/2015	-changed R3 from 0603 to 0402 -changed C1, C30 from 0603 to 0402 [For BOM consolidation]
		10/08/2015	-changed C37 manf Murata to Panasonic (0402) [For BOM consolidation]
		10/09/2015	- Changed the Master slave circuit connections to cater to multi slave configuration, instead of one master and one slave -Changed revision to 0.1, to keep BOM at same revision
		10/12/2015	Changed note for P2 as per review comment by Shawyee (sync note) Swapped pin connections on JP4, JP7, JP8 as per Joe's feedback to maintain uniformity between jumper power nets
10/13/2015	Updated the Multicamera Configuration, I2C Daisy Chain and Clock chain Block Diagrams		



ON Semiconductor®

Title Page		
Size C	Document Name MT9M114_55CSP_Demo3_Headboard	Rev 0.1
Date: Tuesday, October 13, 2015	Sheet 1	of 8

# Block Diagram



# SENSOR MT9M114\_55CSP PINOUT

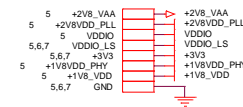
	1	2	3	4	5	6	7	8
A	VAA	Reserved <sup>1</sup>	DOUT[6]	Dout[4]	Dout[2]	VDD	Dout[1]	VDD
B	GND	VAA	VDD_IO	Dout[5]	Dout[3]	GND	Dout[0]	VDD_IO
C	VDD	OE_BAR	AGND	GND	VDD_IO	FV	LV	
D	CONFIG	SCLK	SDATA	DOUT[7]	Reserved <sup>1</sup>	DOUT_LSB1	GND	VDD
E	VDD_IO	CHAIN	Reserved <sup>1</sup>	SADDR	RESET_BAR	DOUT_LSB0	GND	VDD_PHY
F	EXTCLK	PIXCLK	GND	TRST_BAR	DATA_N	DATA_P	CLK_P	CLK_N
G	VDD	FLASH	VDD	PGND <sup>2</sup>	PGND <sup>2</sup>	VDD_PLL	GND_PLL	GND_PLL



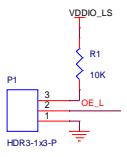
ON Semiconductor®

File			Pinout
Size	Document Name	Rev	
C	MT9M114_55CSP_Demo3_Headboard	0.1	
Date:	Friday, October 09, 2015	Sheet	3 of 8

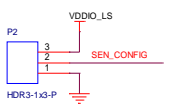
# MT9M114\_55CSP SOC



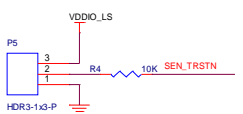
P1 Jumper (1-2) : Parallel Interface (Default)  
Jumper (2-3) : Non-Parallel



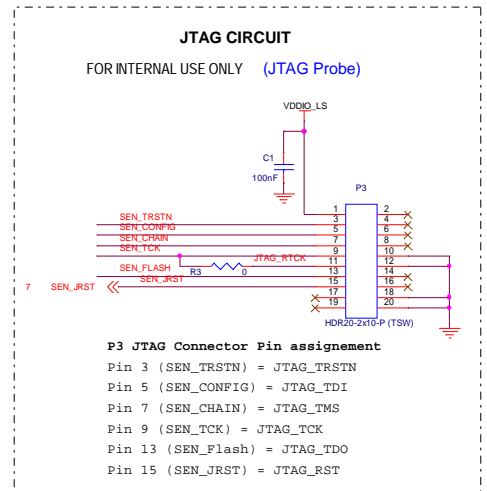
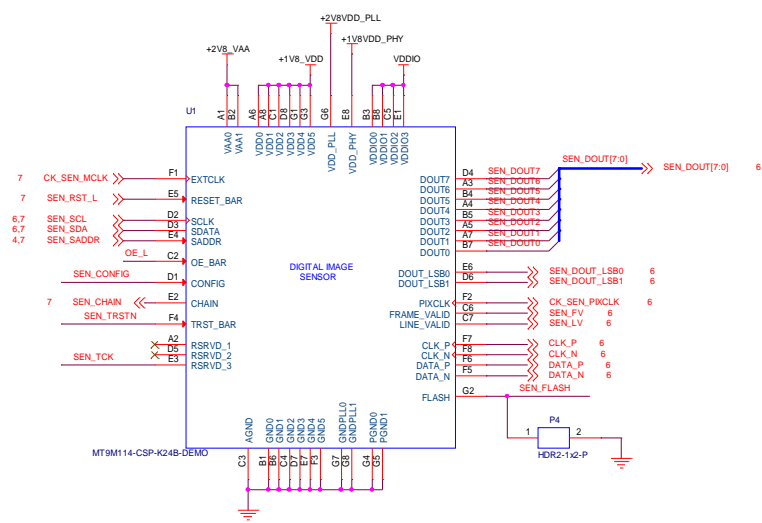
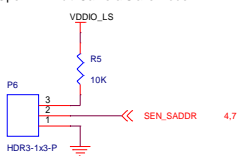
P2 (CONFIG) Jumper (1-2) : (Default)  
Jumper (2-3) : (Default)



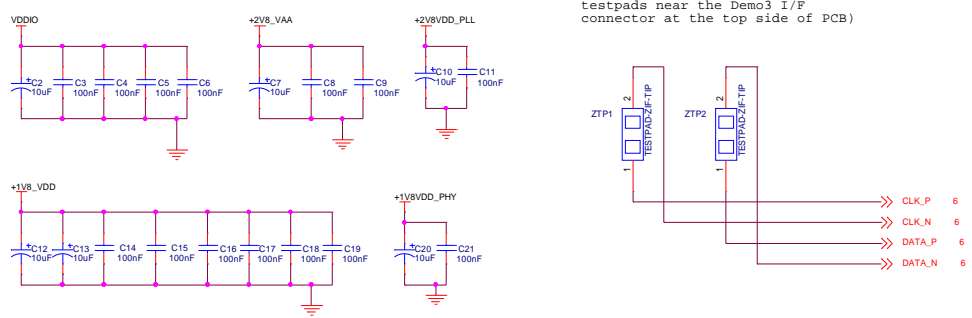
P5 (TRST) Jumper (1-2) : Normal mode (Default)  
Jumper (2-3) : Test Mode



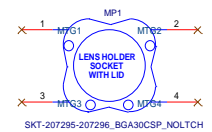
P6 (SADDR): Jumper (1-2) GND --> 0x90 (Default)  
Jumper (2-3) VDDIO\_LS --> 0xBA  
Open --> Multi Camera Slave Mode



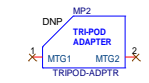
(Note for layout: - Place these testpads near the Demo3 I/F connector at the top side of PCB)



### LENS MOUNT SOCKET



### TRIPOD MOUNT

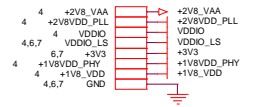


ON Semiconductor®

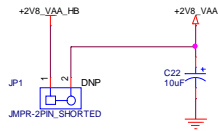
File: MT9M114 (K24B) SOC

Rev C	Document Name: MT9M114_55CSP_Demo3_Headboard	Rev 0.1
Date: Wednesday, November 04, 2015	Sheet 4 of 8	

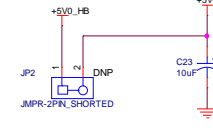
# Power Supply



**2.8V VAA Power supply**

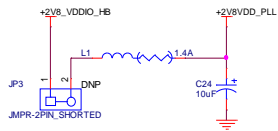


**Peripheral 5V Power Supply**

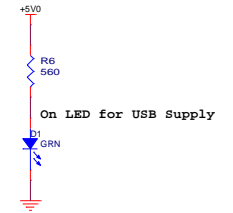
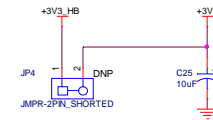


Layout: Mount LED on bottom side of PCB

**VDD\_PLL Power Supply**

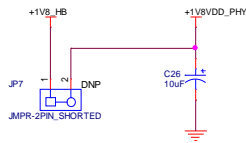


**Peripheral 3.3V Supply**

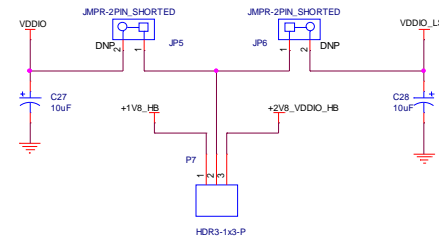


On LED for USB Supply

**VDD-PHY Power Supply**

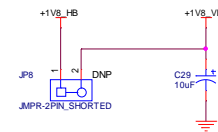


**VDDIO & VDDIO\_LS 1.8V/ 2.8V Supply**

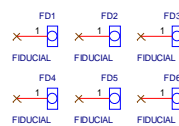


P7 Default Setting: 1-2 Short (1V8 operation)

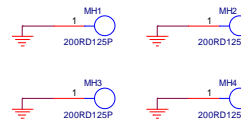
**VDD Power Supply**



**Fiducials**



**Mounting Holes**



**Ground Testpoints**

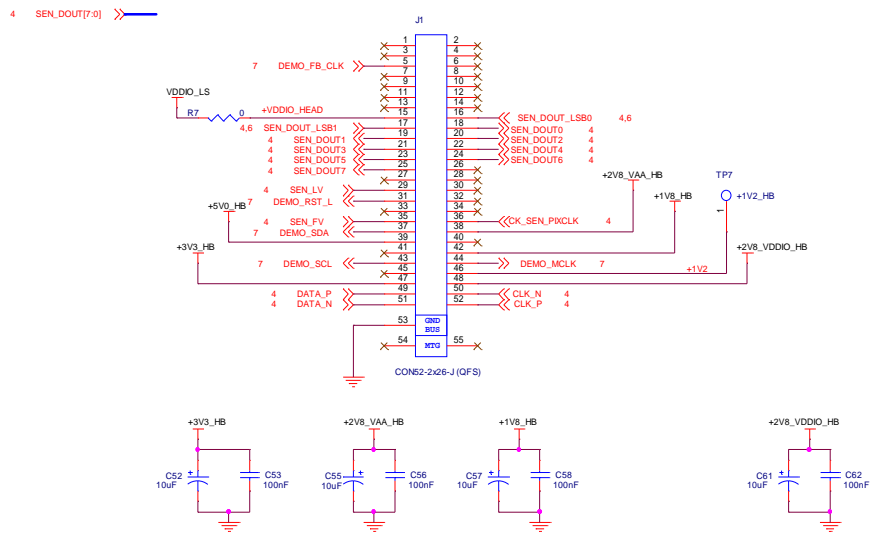


ON Semiconductor®		
Power Supply		
File	Document Name	
Size	Rev	
C	MT9M114_55CSP_Demo3_Headboard	0.1
Date:	Monday, October 12, 2015	Sheet 5 of 8

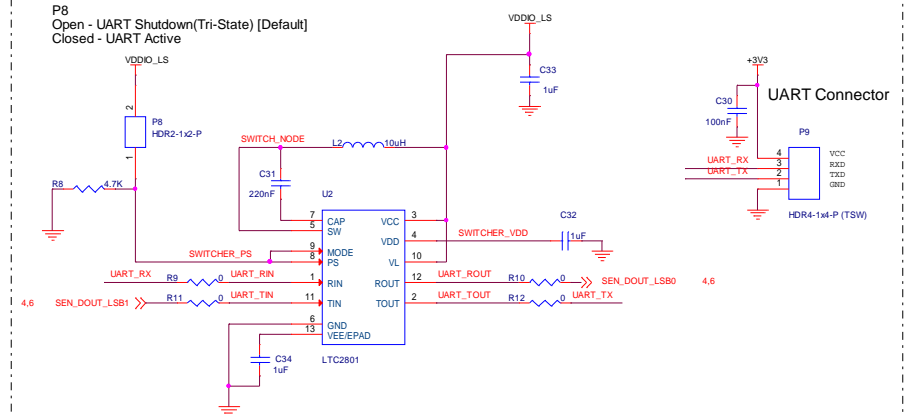
# External Interface



## DEMO3 INTERFACE

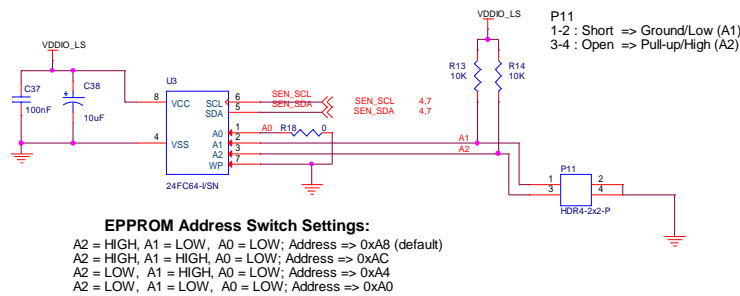


## UART INTERFACE CIRCUIT



## LENS CORRECTION EEPROM

Note: 24AA64-E/SN Serial EEPROM has speed limitation wrt voltage used. At 1.8V, only 100KHz operation of I2C is allowed and above 2.5V we can use 400KHz. So while implementing HT board, this has to be taken care of.

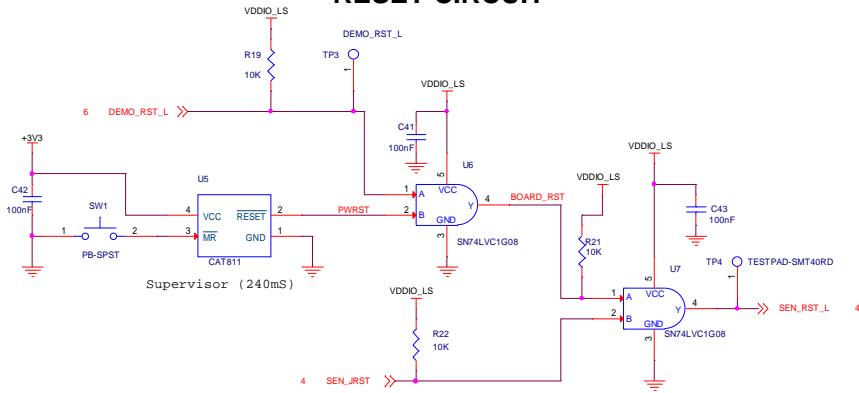


ON Semiconductor®

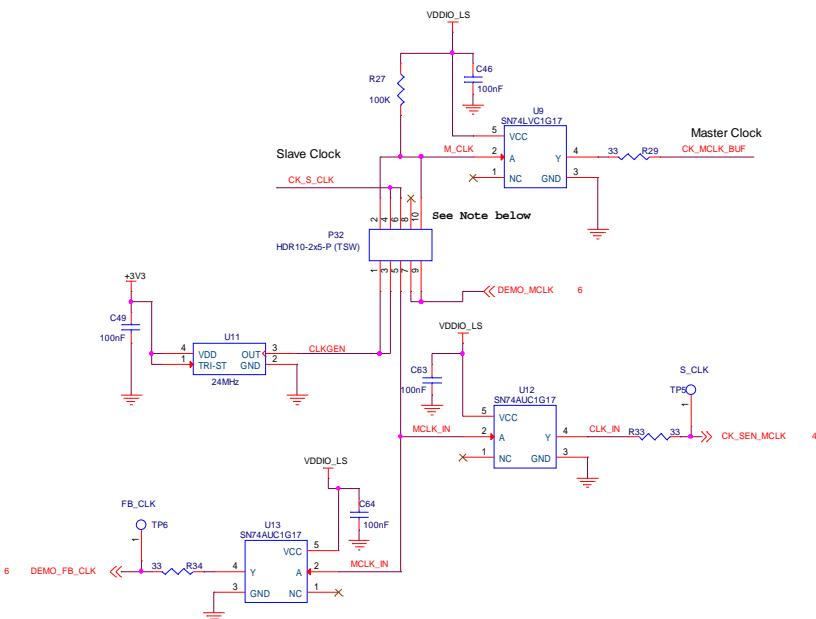
Title		External Interface
Size	Document Name	Rev
C	MT9M114_55CSP_Demo3_Headboard	0.1
Date:	Wednesday, November 04, 2015	Sheet 8 of 8

# Clock & Reset

## RESET CIRCUIT

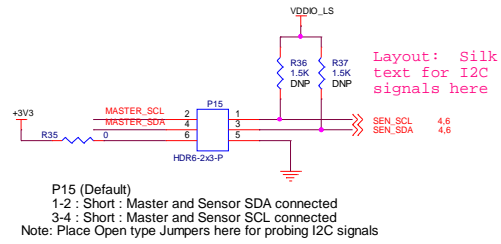


## CLOCK CIRCUIT

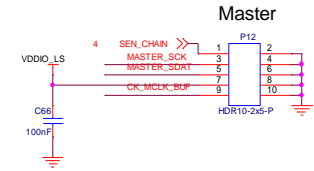
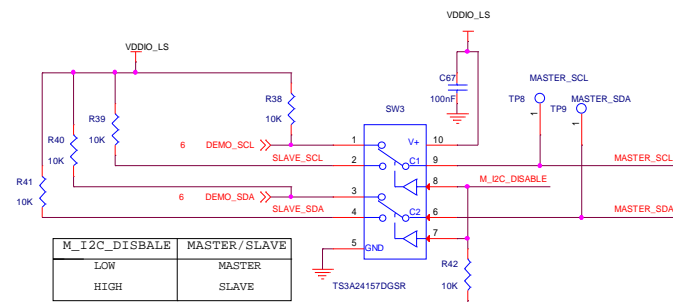


NOTE: P32 Oscillator Configurations  
 3-5 -> Normal Single Camera Operation, using on board oscillator.  
 5-7 -> Normal Single Camera Operator, using external clock from Demo3.  
 3-5 & 1-2 -> Master in Multi-Camera Operation, oscillator to Slave Cameras (Default)  
 5-6 -> Slave in Multi-Camera Operation, oscillator from Master Camera.  
 5-6 & 2-4 -> Multi Slave in Multi-Camera Operation, oscillator from Master Camera.  
 5-7 & 3-10 -> Master in Multi-Camera Operation, using external clock from Demo3.

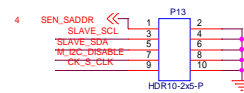
# Multi-Camera Interface



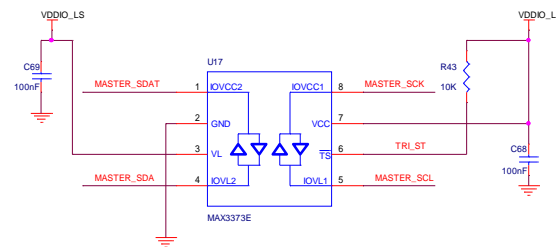
## I2C Selection Switch for Master



## Slave



## I2C Repeater for Master Slave Config



## Master or Multi Slave Camera modes

- 1) Single Mode, No connection on both Master(P12) and Slave (P13)Connector
- 2) Multi-Camera Slave Mode, Slave Connector(P13) be connected to the Master Connector(P12) of Master Unit
- 3) Master Mode, Connect Master Connector(P12) to the Slave Connector(P13) of Slave Unit. No connection on the Master Unit's Slave Connector.

