

4

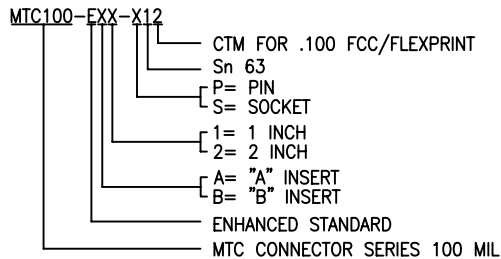
3

2

1

NOTES:

1. PART NUMBER VARIABLE:



2. MATERIAL:

- A) PIN/SOCKET INSERT HIGH GRADE POLYARYLENE THERMOPLASTIC.
- B) PIN CONTACT COPPER ALLOY PER ASTM B36, ASTM B36M
- C) SOCKET CONTACT COPPER ALLOY PER ASTM B103, ASTM B103M (A).
- D) CABLE AND INSERT SEAL MODIFIED THERMOPLASTIC HOT MELT SEALANT.
- E) INTERFACIAL SEAL FLUOROSILICONE PER MIL-R-25988.
- F) TERMINATION MODULE TRANSPARENT BLUE HEAT SHRINKABLE, RADIATION CROSS LINKED PVF .2

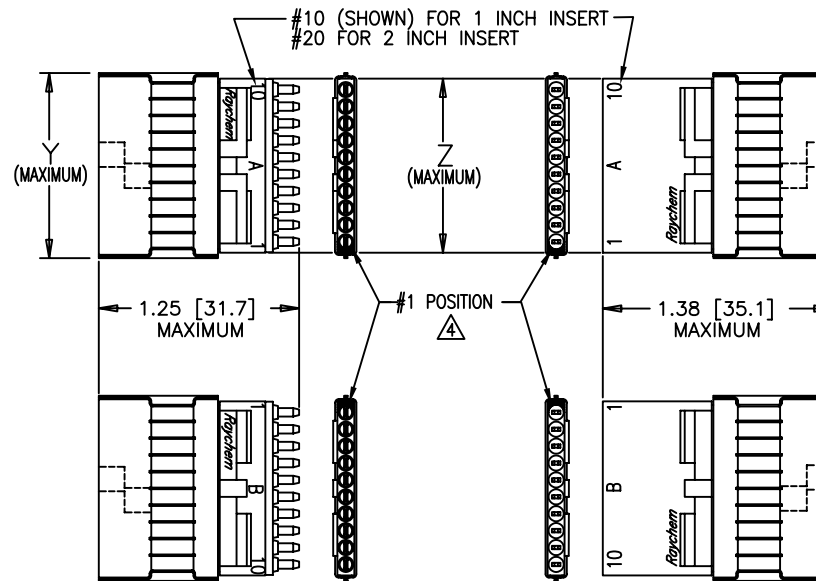
3. FINISH:

- A) PIN/SOCKET INSERT AS MOLDED.
- B) PIN/SOCKET CONTACT GOLD PLATE PER ASTM B488, CLASS 1,TYPE 2, GRADE C.
- C) CONTACT TAIL SOLDER COATED PER IPC J-STD 006 (Sn63), FLUX COATED PER IPC J-STD 006, TYPE RMA.

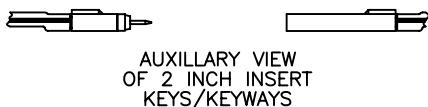
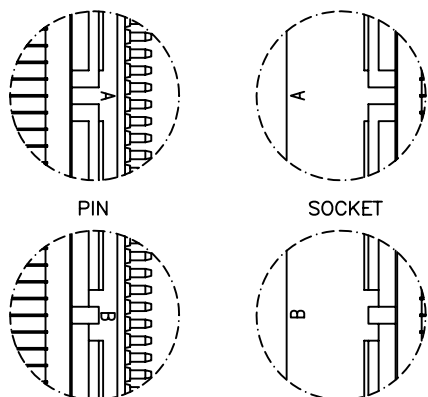
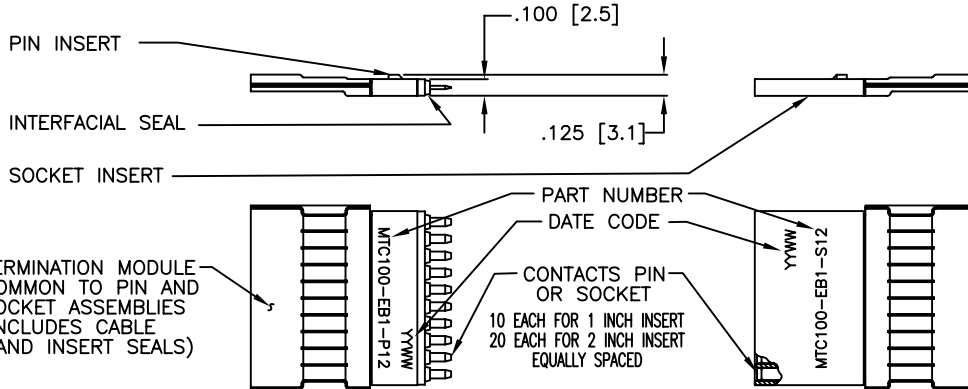
4. NUMBER ONE POSITION IS MARKED AS SHOWN IN CONTRASTING COLOR ON INTERFACE.

5. THESE INSERTS MEET THE REQUIREMENTS OF RAYCHEM SPECIFICATION C-6111.

| REVISIONS | | | |
|-----------|-------------------------|------------|----------|
| LTR | DESCRIPTION | DATE | APPROVED |
| D | REVISED PER ECN T-19487 | FEB-08-05 | M. HIGGY |
| E | PER ECO-10-004620 | MAR-3-2010 | M. HIGGY |



| SIZE | WEIGHT MAXIMUM | | DIM. "Y" | DIM. "Z" |
|---------------|----------------|-------|-------------|-------------|
| | LBS. | GRAMS | | |
| 1 INCH INSERT | PIN | .0053 | 1.15 [29.2] | 1.05 [26.7] |
| | SOC. | .0060 | | |
| 2 INCH INSERT | PIN | .0103 | 2.15 [54.6] | 2.05 [52.1] |
| | SOC. | .0119 | | |



AUXILLARY VIEW OF 2 INCH INSERT KEYS/KEYWAYS

If this document is printed it becomes uncontrolled. Check for the latest revision

©2010 Tyco Electronics Corporation. All rights reserved.

CUSTOMER DRAWING

| | | | | | | |
|---|------------------------|-------------|----------|--------------|--|--|
| UNLESS OTHERWISE SPECIFIED DIMENSIONS ARE IN INCHES. METRIC DIMENSIONS ARE IN BRACKETS. DECIMALS .XXX ± .005 .13 mm .XX ± .mm ANGLES .X ± | DRAWN | LUTTICKEN | 87SEPT15 | | Raychem Interconnect 390 Constitution Drive Menlo Park, CA 94025 U.S.A. | |
| | CHECKED | J.B. | | | | |
| | APPROVED | J.BLAIR | 87OCT02 | TITLE | ASSEMBLY, INSERT, FLAT CABLE TERMINATION, TEMPERATURE RATING 125 CELSIUS DEGREE MTC 100 SERIES | |
| | APPROVED | | | CAD NAME | MTC100-EXX-X12 | |
| WEIGHT: MAXIMUM SEE TABULATION | THIRD ANGLE PROJECTION | | | SIZE | A | |
| | | CAGE CODE: | 06090 | DWG. NO. | MTC100-EXX-X12 | |
| | | SCALE: NONE | | REV | E | |
| | | | | SHEET 1 OF 1 | | |

4

3

2

1

DWG. NO. MTC100-EXX-X12 SHEET 1