

REVISIONS

P	LTR	DESCRIPTION	DATE	DWN	APVD
	J	REVISED PER ECN-22-142121	08APR2022	LN	JM

NOTES:

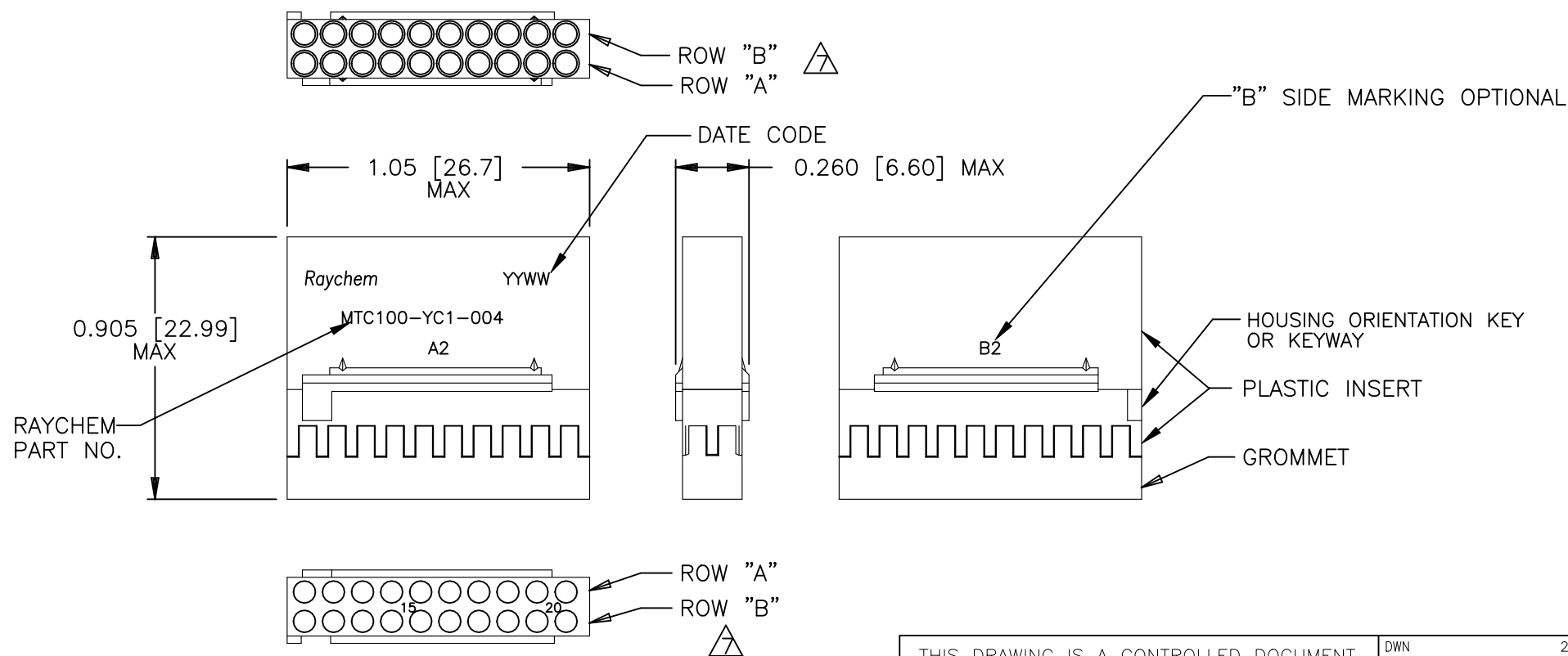
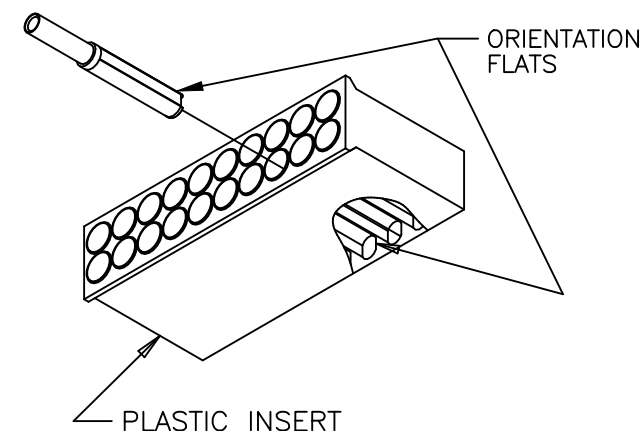
- THIS INSERT IS DESIGNED FOR USE IN RAYCHEM CONNECTOR HOUSINGS MTC100-YH2-007, -008, -009, -010. (SEE RAYCHEM INFORMATION DRAWING D-659-0100 AND HOUSING SPECIFICATION CONTROL DRAWINGS FOR FURTHER DETAILS).
- PART DESCRIBED HEREON IS SUPPLIED AS SHOWN. IF CONTACTS, SEALING PLUGS, AND TOOLS ARE DESIRED, THE FOLLOWING MODIFICATION NUMBER IS TO BE ADDED TO THE PART NUMBER:

MOD NO.	DESCRIPTION
022	WITH CONTACTS AND SEALING PLUGS
023	WITH CONTACTS, SEALING PLUGS AND TOOL

REFERENCE RAYCHEM INFORMATION DRAWING D-659-0100 FOR CRIMP TOOLS OR ADDITIONAL CONTACTS, SEALING PLUGS OR TOOLS.

- GROMMET DESIGNED TO SEAL ON WIRES HAVING AN INSULATION DIAMETER OF 0.030 TO 0.065.
- PERFORMANCE:
THIS PRODUCT IS DESIGNED TO MEET THE APPLICABLE REQUIREMENTS OF RAYCHEM SPECIFICATION D-6014.
- MATERIALS:
A) PLASTIC INSERT HIGH GRADE POLYARYLENE THERMOPLASTIC
B) GROMMET FLUOROSILICONE PER MIL-R-25988
C) RETENTION CLIPS (20) (INSIDE PLASTIC INSERT) BERYLLIUM COPPER 172 PER QQ-C-533 OR 301 STAINLESS STEEL PER TEC-100-309 SPECIAL TEMPER
- CONFIGURATION CONTROL PER ES 71001 APPLIES.

△ ROWS "A" AND "B" ARE AN INTEGRAL PART OF THE INSERT. ROWS "A" AND "B" ARE IDENTIFIED ON THE SIDE OF THE INSERT AS "A2" AND "B2", "B" SIDE MARKING OPTIONAL.



THIS DRAWING IS A CONTROLLED DOCUMENT.		DWN HAWKINGS 24OCT1986	TE Connectivity														
DIMENSIONS: INCHES		CHK JB				NAME											
TOLERANCES UNLESS OTHERWISE SPECIFIED:		APVD J.CAMERON 30OVT1986	INSERT, SOCKET, SECONDARY, 20 CAVITY, SIZE 22-20														
<table border="0"> <tr><td>0 PLC</td><td>± -</td></tr> <tr><td>1 PLC</td><td>± -</td></tr> <tr><td>2 PLC</td><td>± -</td></tr> <tr><td>3 PLC</td><td>± -</td></tr> <tr><td>4 PLC</td><td>± -</td></tr> <tr><td>ANGLES</td><td>± -</td></tr> </table>		0 PLC	± -	1 PLC	± -	2 PLC	± -	3 PLC	± -	4 PLC	± -	ANGLES	± -	PRODUCT SPEC	REM. CONTACT, 2-IN CONN		
0 PLC	± -																
1 PLC	± -																
2 PLC	± -																
3 PLC	± -																
4 PLC	± -																
ANGLES	± -																
MATERIAL		APPLICATION SPEC	MTC100SERIES														
FINISH		WEIGHT 0.0067 lbs	SIZE A3	CAGE CODE 00779	DRAWING NO. C-MTC100-YC1-004												
		CUSTOMER DRAWING	RESTRICTED TO	SCALE 1:1	SHEET 1 OF 1												
				REV J													