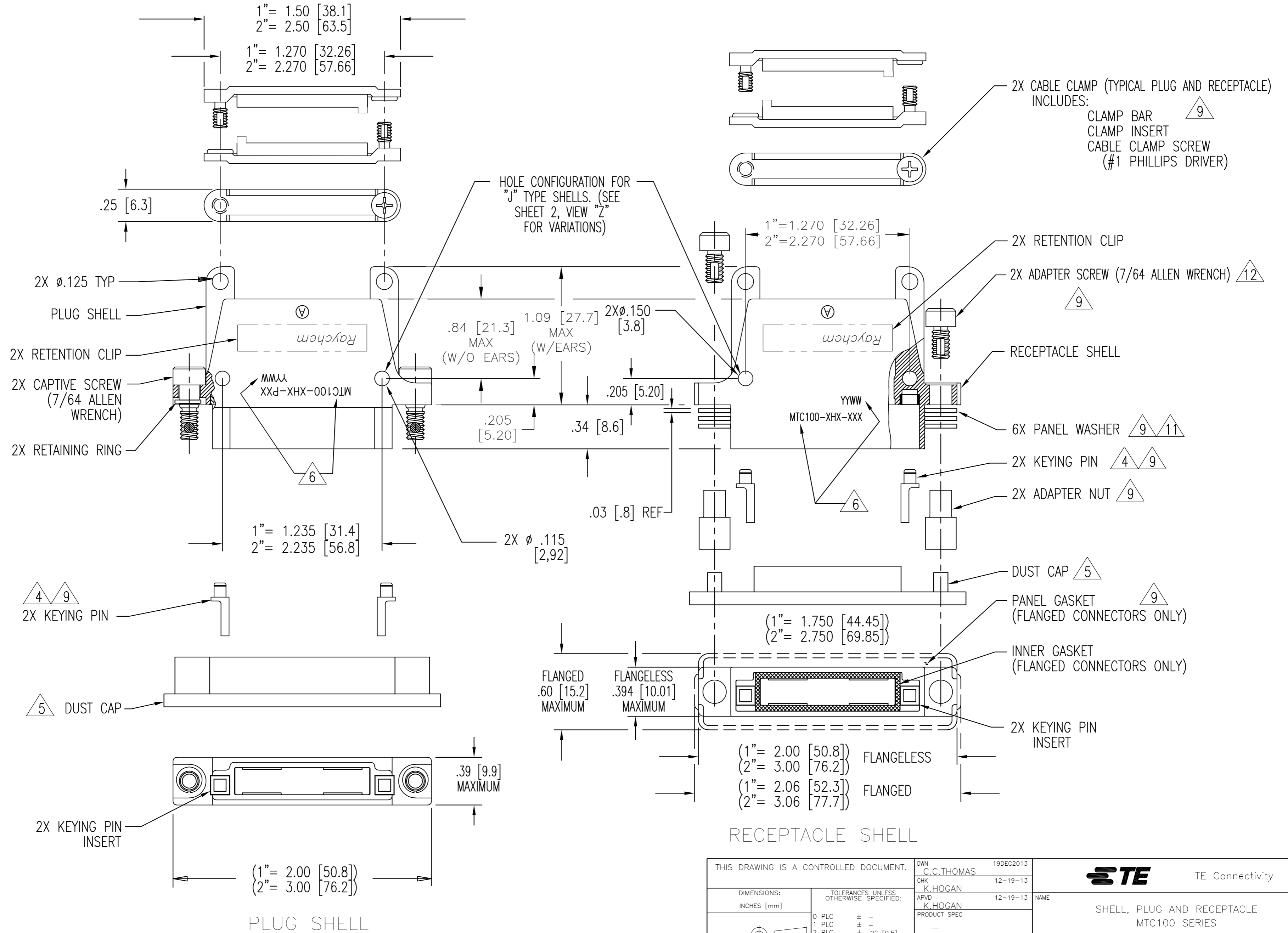


THIS DRAWING IS UNPUBLISHED. RELEASED FOR PUBLICATION  
 © COPYRIGHT - By - ALL RIGHTS RESERVED.

LOC		DIST		REVISIONS			
P	LTR	DESCRIPTION	DATE	DWN	APVD		
W	REV PER ECO	13-019993	12-19-13	CT	KH		



THIS DRAWING IS A CONTROLLED DOCUMENT.		DWN	19DEC2013	TE Connectivity	
DIMENSIONS: INCHES [mm]		CHK	C.C.THOMAS	NAME	
TOLERANCES UNLESS OTHERWISE SPECIFIED:		APVD	K.HOGAN	SHELL, PLUG AND RECEPTACLE	
0 PLC	± -	PRODUCT SPEC	K.HOGAN	MTC100 SERIES	
1 PLC	± -	APPLICATION SPEC	12-19-13	SIZE	CAGE CODE
2 PLC	± .02 [0.5]			A2	00779
3 PLC	± .005 [0.13]			SCALE	DRAWING NO
4 PLC	± -			NTS	C=MTC100-XHX-XXX-XXX
ANGLES	± -			SHEET	1 of 3
MATERIAL	FINISH	WEIGHT	-	REV	W
		CUSTOMER DRAWING			

THIS DRAWING IS UNPUBLISHED. RELEASED FOR PUBLICATION  
 © COPYRIGHT - By - ALL RIGHTS RESERVED.

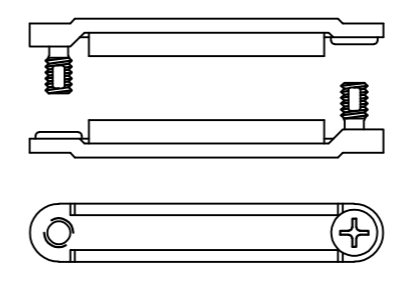
LOC		DIST		REVISIONS			
P	LTR	DESCRIPTION	DATE	DWN	APVD		
-	-	SEE SHEET #1	-	-	-		

1. PART NUMBER VARIABLES: (NOT ALL POSSIBLE CONFIGURATIONS SHOWN ON THIS DRAWING ARE AVAILABLE AS STANDARD PRODUCTS. PLEASE CHECK WITH RAYCHEM TO CONFIRM AVAILABILITY.)
- MTC100-XHX-XXX-XXX
- MODIFICATIONS (see table I) (THIS SPACE BLANK IF NO MODIFICATION IS APPLICABLE)
    - 1= W/O CABLE CLAMP AND W/O EARS ON SHELL
    - 2= WITH CABLE CLAMP AND EARS ON SHELL
    - 3= W/O CABLE CLAMP AND WITH EARS
    - 4= WITH FLAT CABLE CLAMP (SEE VIEW V) AND EARS ON SHELL
  - 1= BLACK ANODIZED (WHITE MARKING)
  - 2= ELECTROLESS NICKEL (BLACK MARKING)
  - 3= CADMIUM OVER NICKEL UNDERPLATE (BLACK MARKING)
  - P= PLUG
  - R= FLANGELESS RECEPTACLE
  - F= FLANGED RECEPTACLE: STANDARD ("J" TYPE) HAS NON CONDUCTIVE FLUOROSILICONE GASKET SHIELDED ("S" TYPE) HAS CONDUCTIVE FLUOROSILICONE GASKET
  - 1= 1 INCH
  - 2= 2 INCH
  - J= STANDARD TYPE
  - S= SHIELDED
  - Y= SPECIAL TYPE: REFER TO INDIVIDUAL SPECIFICATION CONTROL DRAWINGS FOR DESCRIPTIONS

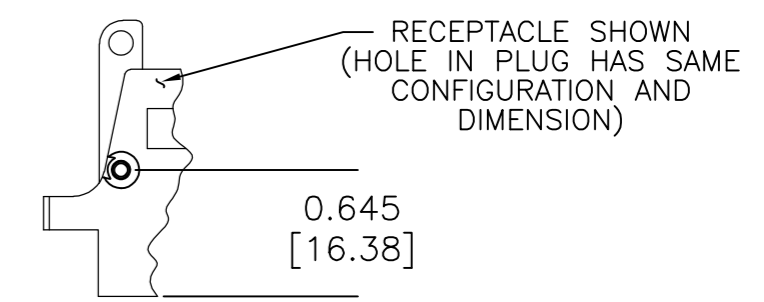
2. MATERIAL:
- A) SHELL ALUMINUM ALLOY PER ASTM B85
  - B) RETENTION CLIP COPPER ALLOY 172 PER ASTM B194
  - C) ADAPTER SCREW OR CAP SCREW STAINLESS STEEL PER SAE-AMS-QQ-S-763, 300 SERIES
  - D) ADAPTER NUT OR RETAINER BUSHING STAINLESS STEEL PER SAE-AMS-QQ-S-763, 300 SERIES
  - E) PANEL OR LOCK WASHER STAINLESS STEEL PER SAE-AMS-QQ-S-763 OR ASTM B240, 300 SERIES
  - F) KEYING PIN HIGH GRADE POLYARYLENE THERMOPLASTIC, MOLDED
  - G) KEY PINS INSERT HIGH GRADE POLYARYLENE THERMOPLASTIC, MOLDED
  - H) CLAMP BAR STAINLESS STEEL PER SAE-AMS-QQ-S-763, 300 SERIES
  - J) CLAMP INSERT SILICONE ELASTOMER PER MIL-R-25988
  - K) CAPTIVE SCREW STAINLESS STEEL PER SAE-AMS-QQ-S-763, 300 SERIES
  - L) RETAINING RING COPPER ALLOY 172 PER ASTM B194

3. FINISH:

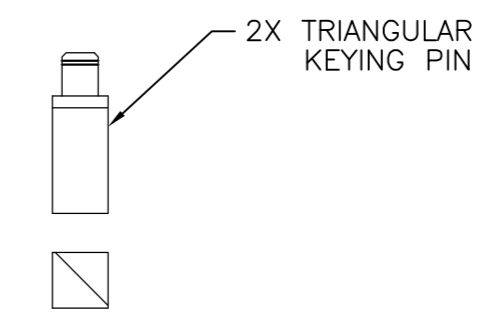
	APPLIES TO NICKEL PLATED CONNECTORS	APPLIES TO CADMIUM PLATED CONNECTORS	APPLIES TO BLACK ANODIZED CONNECTORS
A) SHELL	NICKEL PLATED PER SAE-AMS-C-26074 CLASS 3, GRADE B	CADMIUM PLATED PER SAE-AMS-QQ-P-416 OVER NICKEL UNDERPLATE	BLACK ANODIZED PER MIL-A-8625, TYPE II, CLASS 2
B) RETENTION CLIP	NICKEL PLATED PER SAE-AMS-C-26074 CLASS 2, .00002 MINIMUM	CADMIUM PLATED PER SAE-AMS-QQ-P-416	NICKEL PLATED PER SAE-AMS-C-26074 CLASS 2, .00002 MINIMUM
C) ADAPTER OR CAP SCREW	PASSIVATED PER SAE-AMS-2700	CADMIUM PLATED PER SAE-AMS-QQ-P-416	PASSIVATED PER SAE-AMS-2700
D) ADAPTER NUT OR RETAINER BUSHING	PASSIVATED PER SAE-AMS-2700	CADMIUM PLATED PER SAE-AMS-QQ-P-416	PASSIVATED PER SAE-AMS-2700
E) PANEL OR LOCK WASHER	PASSIVATED PER SAE-AMS-2700	CADMIUM PLATED PER SAE-AMS-QQ-P-416	PASSIVATED PER SAE-AMS-2700
F) CLAMP BAR	PASSIVATED PER SAE-AMS-2700	CADMIUM PLATED PER SAE-AMS-QQ-P-416	PASSIVATED PER SAE-AMS-2700
G) CAPTIVE SCREW	PASSIVATED PER SAE-AMS-2700	CADMIUM PLATED PER SAE-AMS-QQ-P-416	PASSIVATED PER SAE-AMS-2700
H) RETAINING RING	NICKEL PLATED PER SAE-AMS-C-26074	CADMIUM PLATED PER SAE-AMS-QQ-P-416	NICKEL PLATED PER SAE-AMS-C-26074



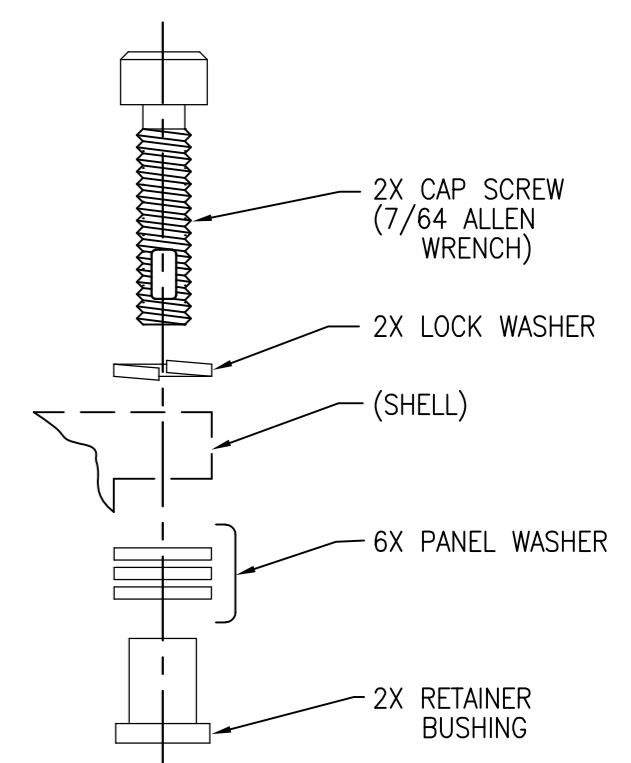
FLAT CABLE CLAMP  
VIEW "V"



RECEPTACLE SHOWN (HOLE IN PLUG HAS SAME CONFIGURATION AND DIMENSION)  
0.645 [16.38]  
HOLE CONFIGURATION FOR ALL "S" TYPE SHELLS AND FLANGED "J" TYPE RECEPTACLE SHELLS  
VIEW "Z"



2X TRIANGULAR KEYING PIN  
APPLIES TO -014 MODIFICATION (see table I)  
VIEW "W"



MTC50 HARDWARE APPLIES TO -020 MODIFICATION (see table I)  
VIEW "Y"

TABLE III

PANEL THICKNESS	NUMBER OF PANEL WASHERS FOR EACH FASTENER
0.031/0.036 [0.8]/[0.9]	2
0.062/0.067 [1.5]/[1.7]	1
0.093/0.097 [2.3]/[2.4]	0

- 4. FOR MOUNTING / MATING AND KEYING INFORMATION, SEE RAYCHEM DRAWING D652-0012.
- 5. DUST CAP SUPPLIED WITH EACH PLUG OR RECEPTACLE. NO DUST CAPS ARE SUPPLIED WHEN SHELLS ARE SHIPPED TO CUSTOMER SPECIFICATION NUMBER 991006.
- 6. APPROPRIATE PART NUMBER AND DATE CODE ARE STAMPED APPROXIMATELY AS SHOWN.
- 7. THESE PARTS MEET THE REQUIREMENTS OF RAYCHEM SPECIFICATION C-6111.
- 8. FLANGED RECEPTACLE CONNECTORS PROPERLY MATED AND TORQUED TO 9 INCH POUNDS WILL EXHIBIT AN AIR LEAK RATE NOT EXCEEDING .5 CC / SECOND AT 30 PSI AND 25° C. (APPLICABLE ONLY TO FLANGED RECEPTACLES WITH PIN INSERTS)
- 9. THESE ITEMS ARE SUPPLIED UNASSEMBLED.
- 10. SEE TABLE II & TABLE 4 SHEET 3, WEIGHTS ARE WITHOUT DUST CAP.
- 11. THIS RECEPTACLE IS REAR PANEL MOUNTED BY REMOVING AS MANY PANEL WASHERS AS REQUIRED TO ACCOMMODATE THE THICKNESS OF THE PANEL BEING USED. (SEE TABLE III)
- 12. RECEPTACLE ADAPTER SCREWS (CAP SCREWS) ARE TO BE TORQUED TO 15±1 INCH-LBS (1.0±0.07 N-M)

TABLE I (MODIFICATIONS)

MODIFICATION DASH NUMBER	DESCRIPTION
-001	SAME AS STANDARD ASSEMBLY WITH EARS EXCEPT WITHOUT CABLE CLAMPS
-007	SAME AS STANDARD ASSEMBLY EXCEPT METAL PARTS ARE PLATED CADMIUM OVER NICKEL, SUPPLIED WITH MTC50 MOUNTING/ MATING HARDWARE (SEE VIEW "Y")
-014	SAME AS STANDARD EXCEPT ADDITIONALLY TRIANGULAR KEYING PINS INCLUDED (SEE VIEW "W")
-020	SAME AS STANDARD EXCEPT SUPPLIED WITH MTC50 MOUNTING/MATING HARDWARE (SEE VIEW "Y")
-028	SAME AS STANDARD ASSEMBLY EXCEPT SUPPLIED WITHOUT HARDWARE

THIS DRAWING IS A CONTROLLED DOCUMENT.

DWN	19DEC2013		TE Connectivity
CHK	C.C.THOMAS		
APVD	12-19-13		
NAME	K.HOGAN		
DIMENSIONS:	TOLERANCES UNLESS OTHERWISE SPECIFIED:	NAME	SHELL, PLUG AND RECEPTACLE MTC100 SERIES
INCHES [mm]	0 PLC ± -	APVD	12-19-13
	1 PLC ± -	PRODUCT SPEC	
	2 PLC ± .02 [0.5]	APPLICATION SPEC	
	3 PLC ± .005 [0.13]		
	4 PLC ± -		
	ANGLES ± -		
MATERIAL	FINISH	WEIGHT	A2 00779 C=MTC100-XHX-XXX-XXX
			RESTRICTED TO
		CUSTOMER DRAWING	SCALE NTS SHEET 2 of 3 REV W