

**FLAT MOUNTING INFORMATION**

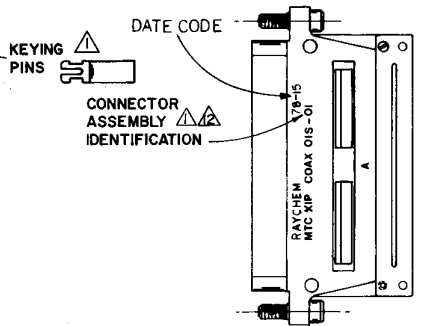
REVISIONS		DATE	APPROVED
I	REVISED PER ECN# T-6235	12/18	J
J	REVISE PER DCR# T-28702	2/21/2001	M.HIGGY

**SOCKET CONTACT AND TOOLING INFORMATION**

TABLE I			
CONTACT TYPE	MILITARY PART NO.	WIRE STRIP LENGTH	TERMINATION TOOL
SHIELDED CONTACT FOR COAX CABLE D-602-0095 OR D-602-0107		SEE DRAWING D-602-0095 OR D-602-0107	SEE DRAWING D-602-0095 OR D-602-0107
CONTACT FOR TWISTED PAIR D-602-0105		SEE DRAWING D-602-0105	SEE DRAWING D-602-0105
POWER CONTACT SIZE 12	M39029/5-12-12	1/4" TO 5/16"	M22520/1-01 POSITIONER M22520/1-02

**TABLE II KEYING CODE CHART**

PART NUMBER	XX	POSITION OF KEYS
MTC XIP-COAX OIS-01	AA	<input type="checkbox"/>
	AB	<input type="checkbox"/>
	AC	<input type="checkbox"/>
	AD	<input type="checkbox"/>
	BA	<input type="checkbox"/>
	BB	<input type="checkbox"/>
	BC	<input type="checkbox"/>
	BD	<input type="checkbox"/>
	CA	<input type="checkbox"/>
	CB	<input type="checkbox"/>
	CC	<input type="checkbox"/>
	CD	<input type="checkbox"/>
	DA	<input type="checkbox"/>
	DB	<input type="checkbox"/>
	DC	<input type="checkbox"/>
	DD	<input type="checkbox"/>



**VIEW SHOWING IDENTIFICATION**

- NOTES:**
- KEYING CODE DOES NOT FORM A PART OF RAYCHEM PART NUMBER SYSTEM AND SHOULD BE OMITTED WHEN ORDERING. KEYING PINS SUPPLIED UN-INSTALLED. SEE TABLE II FOR KEYING POSITIONS
  - COMPLETE CONNECTORS AND ACCESSORIES ARE INDIVIDUALLY BAGGED AND LABELED.
  - REAR GROMMET INSERT WILL SEAL ON SMOOTH INSULATION FROM .097" TO .158" O.D.
  - CONNECTOR DESIGNED FOR USE WITH POWER AND SHIELDED CONTACTS PER TABLE I.
  - INSERTS ARE PERMANENTLY INSTALLED, CONTACTS MAY BE INSERTED AND REMOVED USING TOOL PER NOTE 8.
  - ALL UNUSED CAVITIES TO BE SEALED USING SEALING PLUG NUMBER M83723-28-12.
  - ALL CONTACTS SIZE 12 ARE INSERTED AND REMOVED USING TOOL NUMBER M83723-31-12.
  - CONNECTOR SUPPLIED WITH A SHIPPING DUST CAP OVER ENGAGING END.
  - CONNECTOR PLUG PART NO. MTCXIP-COAX OIS-01- AA . AA = KEYING CODE
  - MATES WITH RECEPTACLE CONNECTOR NO. MTCXIR-COAX OIP-01.
  - CONNECTOR MATING REQUIREMENTS: 9 in. lbs. TORQUE FOR CAPTIVE LOCKING SCREWS.
  - PART NUMBER VARIABLE:

MTC XIP-COAX OIS-01  
 B=NICKEL PLATE PER MIL-C-26074  
 C=CADMIUM PLATE PER QQ-P-416 OVER NICKEL UNDERPLATE

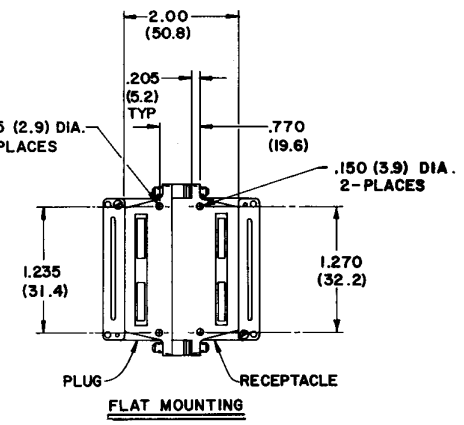
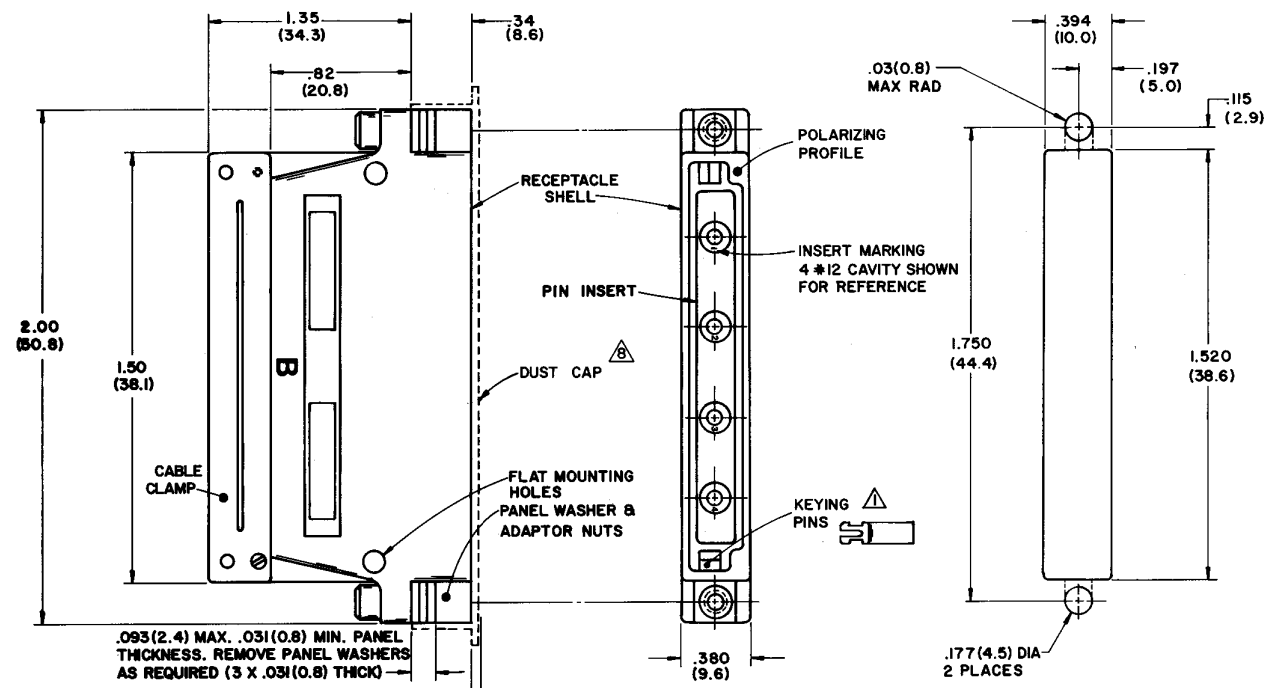
13. DIMENSIONS WITHOUT TOLERANCES ARE TO BE CONSIDERED FOR REFERENCE ONLY.

If this document is printed it becomes uncontrolled.  
 Check with the web for latest revision.

**SPECIFICATION CONTROL DRAWING**

ITEM	QTY	PART NUMBER	DWG. OR SPEC.	DESCRIPTION
		UNLESS OTHERWISE SPECIFIED DIMENSIONS ARE IN INCHES AND TOLERANCES ARE	DRAWN: <b>CRN</b> 7-27-07	WIRE AND HARNESSING PRODUCTS
		XXX .XX	CHECKED: <i>[Signature]</i>	TYCOELECTRONICS-RAYCHEM 307 CONSTITUTION DRIVE MENDOTA PARK, CALIFORNIA 94025
		APPROVED: <i>[Signature]</i>	APPROVED: <i>[Signature]</i> 2-24-08	TITLE
		APPROVED: <i>[Signature]</i> 6-8-06	APPROVED: <i>[Signature]</i> 6-8-06	CONNECTOR, PLUG, RECTANGULAR ENVIRONMENTAL, FIXED SOCKET
		APPROVED: <i>[Signature]</i> 5-9-77	APPROVED: <i>[Signature]</i> 5-9-77	INSERT - ONE INCH MTC SERIES
		MATERIAL	CAD FILE: T28702.B.C4.TIF	SIZE CODE IDENT DWG NO
		FINISH	PROJECT: 6441-6037	D NO 06090 D-652-0004
		DO NOT SCALE THIS DRAWING	SCALE	WEIGHT
		NEXT ASSY USED IN APPLICATION		SHEET 1 OF 4

REVISIONS				
ZONE	LTR	DESCRIPTION	DATE	APPROVED
		SEE SHEET 1		



**PIN CONTACT AND TOOLING INFORMATION**

TABLE I

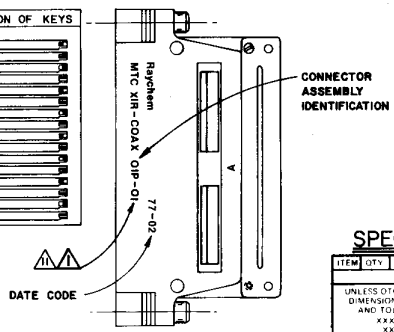
CONTACT TYPE	MILITARY PART NO.	WIRE STRIP LENGTH	TERMINATION TOOL
SHIELDED CONTACT FOR COAX CABLE D-602-0106 OR D-602-0094		SEE DRAWING D-602-0106 OR D-602-0094	SEE DRAWING D-602-0106 OR D-602-0094
CONTACT FOR TWISTED PAIR D-602-0104		SEE DRAWING D-602-0104	SEE DRAWING D-602-0104
POWER CONTACT SIZE 12	M39029/4-12-12	1/4" TO 5/16"	M22520/1-01 POSITIONER M22520/1-02

.093 (2.4) MAX. .031 (0.8) MIN. PANEL THICKNESS. REMOVE PANEL WASHERS AS REQUIRED (3 X .031 (0.8) THICK)

ADAPTOR NUTS TO BE FLUSH WITH RECEPTACLE WITHIN .020 (0.5)

TABLE II  
KEYING CODE CHART

PART NUMBER	X X	POSITION OF KEYS
MTC XIR-COAX OIP-01	AA	10
	AB	11
	AC	12
	AD	13
	BA	14
	BB	15
	BC	16
	BD	17
	CA	18
	CB	19
	CC	20
	CD	21
	DC	22
	DD	23
MTC XIR-COAX OIP-01	DD	24



VIEW SHOWING IDENTIFICATION

- NOTES:
- KEYING CODE DOES NOT FORM A PART OF RAYCHEM PART NUMBER SYSTEM AND BE OMITTED WHEN ORDERING. KEYING PINS SUPPLIED UN-INSTALLED. SEE TABLE II FOR KEYING POSITIONS.
  - COMPLETE CONNECTORS AND ACCESSORIES ARE INDIVIDUALLY BAGGED AND LABELED.
  - NEAR GROMMET INSERT WILL SEAL ON SMOOTH INSULATION FROM .097" TO .156" O.D.
  - CONNECTOR DESIGNED FOR USE WITH POWER AND SHIELDED CONTACTS PER TABLE I.
  - INSERTS ARE PERMANENTLY INSTALLED, CONTACTS MAY BE INSERTED & REMOVED USING TOOL PER NOTE 8.
  - ALL UNUSED CAVITIES TO BE SEALED USING SEALING PLUG NUMBER M83723-28-12.
  - ALL CONTACTS SIZE 12 ARE INSERTED AND REMOVED USING TOOL NUMBER M83723-31-12.
  - CONNECTOR SUPPLIED WITH A SHIPPING DUST CAP OVER ENGAGING END.
  - CONNECTOR RECEPTACLE PART NO. MTCXIR-COAX OIP-01-AA, AA = KEYING CODE.
  - MATES WITH PLUG CONNECTOR NO. MTCXIP-COAX OIS-01, PART NUMBER VARIABLE:
    - MTC XIR-COAX OIP-01
    - B-NICKEL PLATE PER MIL-C-26074
    - C-CADMIUM PLATE PER QQ-P-416 OVER NICKEL UNDERPLATE
  - DIMENSIONS WITHOUT TOLERANCES ARE TO BE CONSIDERED FOR REFERENCE ONLY.

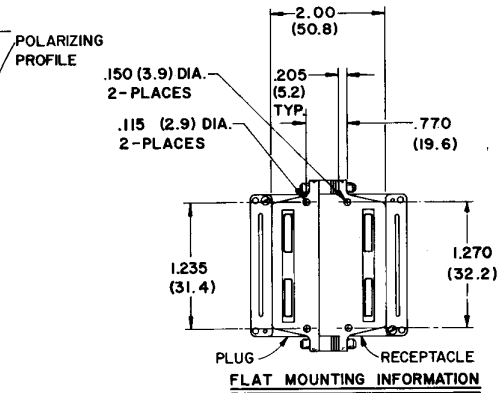
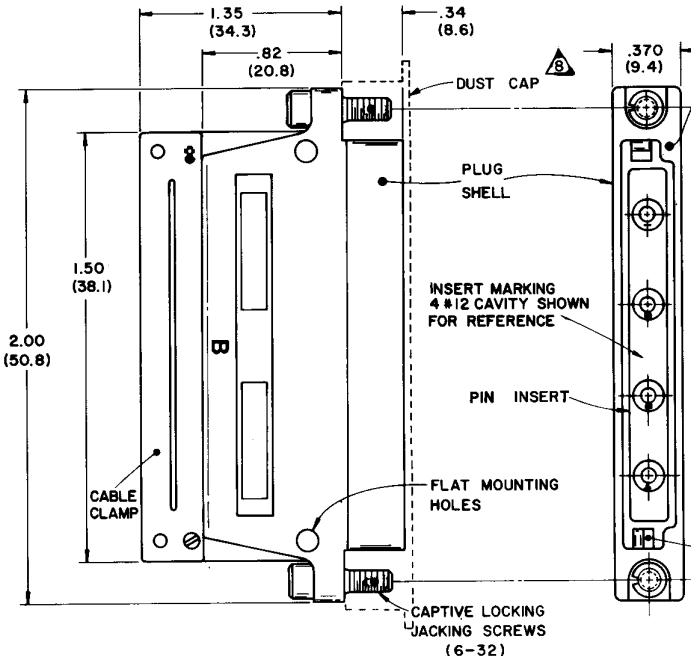
If this document is printed it becomes uncontrolled.  
Check with the web for latest revision.

**SPECIFICATION CONTROL DRAWING**

ITEM	QTY	PART NUMBER	DWG OR SPEC	DESCRIPTION
UNLESS OTHERWISE SPECIFIED DIMENSIONS ARE IN INCHES AND TOLERANCES ARE:				
XXX				TYCOELECTRONICS, RAYCHEM 397 CONSTITUTION DRIVE MENO PARK, CALIFORNIA 94025
XX				TITLE
X				CONNECTOR, RCPT, RECTANGULAR, ENVIRONMENTAL, FIXED PIN INSERT ONE INCH MTC SERIES
MATERIAL		APPROVED	DATE	SIZE
		APPROVED	DATE	CODE IDENT
FINISH		CAD FILE	T38702b.TIF	DWG NO
		PROJECT	6441-6037	D NO 00000
				D-652-0004
				J
				SCALE
				WEIGHT
				SHEET 2 OF 4

DO NOT SCALE THIS DRAWING	NEXT ASSY	USED ON
	APPLICATION	

ZONE/LTR		REVISIONS	DATE	APPROVED
-		SEE SHEET 1		



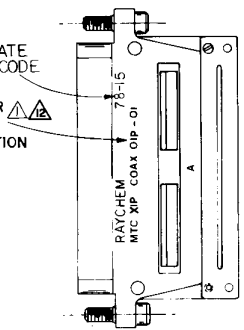
**SOCKET CONTACT AND TOOLING INFORMATION**

TABLE I			
CONTACT TYPE	MILITARY PART NO.	WIRE STRIP LENGTH	TERMINATION TOOL
SHIELDED CONTACT FOR COAX CABLE D-602-0094 OR D-602-0106		SEE DRAWING D-602-0094 OR D-602-0106	SEE DRAWING D-602-0094 OR D-602-0106
CONTACT FOR TWISTED PAIR D-602-0104		SEE DRAWING D-602-0104	SEE DRAWING D-602-0104
POWER CONTACT SIZE 12	M39029/4-12-12	1/4" TO 5/16"	M22820/1-01 POSITIONER M22820/1-02

TABLE II KEYING CODE CHART		
PART NUMBER	X X	POSITION OF KEYS
MTC XIP-COAX OIP-01	AA	☐
	AB	☐
	AC	☐
	AD	☐
	BA	☐
	BB	☐
	BC	☐
	BD	☐
	CA	☐
	CB	☐
	CC	☐
	CD	☐
	DA	☐
	DB	☐
	DC	☐
MTC XIP-COAX OIP-01	DD	☐

- NOTES:**
- KEYING CODE DOES NOT FORM A PART OF RAYCHEM PART NUMBER SYSTEM AND SHOULD BE OMITTED WHEN ORDERING. KEYING PINS SUPPLIED UN-INSTALLED. SEE TABLE II FOR KEYING POSITIONS.
  - COMPLETE CONNECTORS AND ACCESSORIES ARE INDIVIDUALLY BAGGED AND LABELED.
  - REAR GROMMET INSERT WILL SEAL ON SMOOTH INSULATION FROM .097" TO .158" O.D.
  - CONNECTOR DESIGNED FOR USE WITH POWER AND SHIELDED CONTACTS PER TABLE I.
  - INSERTS ARE PERMANENTLY INSTALLED, CONTACTS MAY BE INSERTED AND REMOVED USING TOOL PER NOTE 8.
  - ALL UNUSED CAVITIES TO BE SEALED USING SEALING PLUG NUMBER M83723-28-12.
  - ALL CONTACTS SIZE 12 ARE INSERTED AND REMOVED USING TOOL NUMBER M83723-31-12.
  - CONNECTOR SUPPLIED WITH A SHIPPING DUST CAP OVER ENGAGING END.
  - CONNECTOR PLUG PART NO. MTCXIP-COAX OIP-01-AA. AA = KEYING CODE.
  - MATES WITH RECEPTACLE CONNECTOR NO. MTCXIR-COAX OIS-01.
  - CONNECTOR MATING REQUIREMENTS: 9 in. lbs. TORQUE FOR CAPTIVE LOCKING SCREWS. PART NUMBER VARIABLE.

MTC XIP-COAX OIP-01  
 B = NICKEL PLATE PER MIL-C-26074  
 C = CADMIUM PLATE PER QQ-P-416 OVER NICKEL UNDERPLATE



VIEW SHOWING IDENTIFICATION

If this document is printed it becomes uncontrolled.  
 Check with the web for latest revision.

**SPECIFICATION CONTROL DRAWING**

DESCRIPTION		DATE		DRAWING NO.	
CONNECTOR, PLUG, RECTANGULAR ENVIRONMENTAL, FIXED PIN INSERT - ONE INCH MTC SERIES		CRN	5-20-77	7705	5-24-77
CAD FILE: T28702c.TIF		7701	5-9-77		
6441-6037					